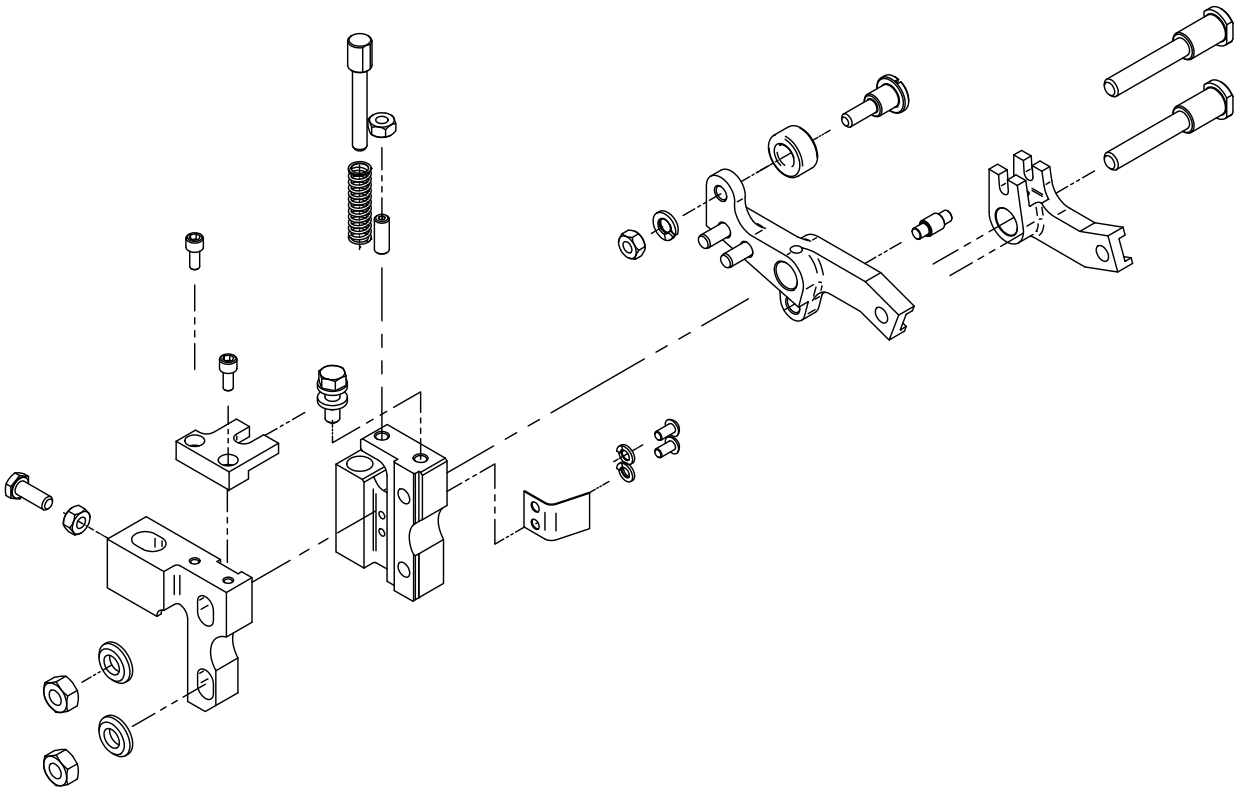
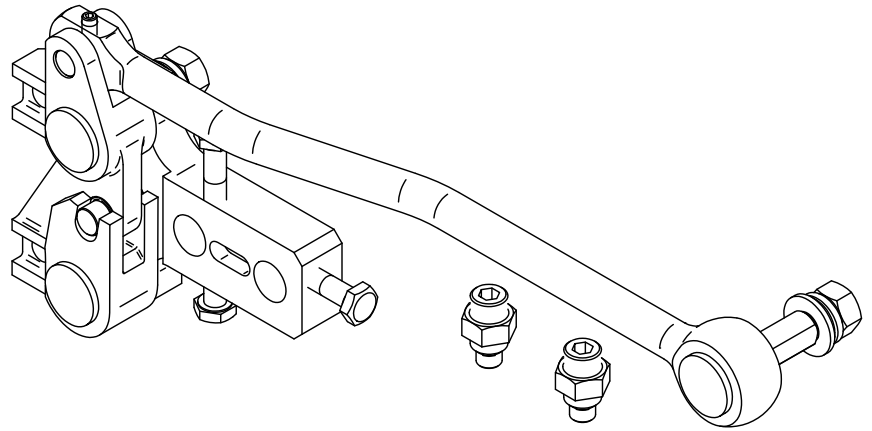
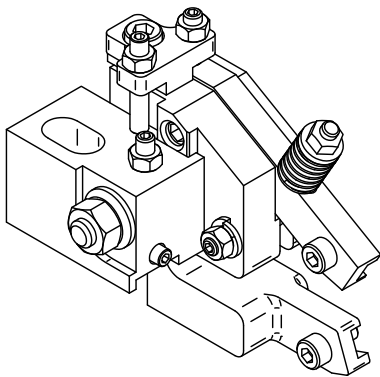


Nakashimada



STAR METAL PRODUCTS 30405 CLEMENS RD. WESTLAKE OHIO 44145 U.S.A.

<i>TRANSFER UNITS</i>		<i>TRANSFER FINGERS</i>	
NS 41A	Pg 3	NS 41, NS 61	Pg 17
NP 40	Pg 4	NP 40, NP 60, NS 61	Pg 17
NP 60	Pg 4 - 5	NS 80, NP 80, NS 81	Pg 18
NS 61E	Pg 6		
NS 80E	Pg 7		
NS 80L	Pg 8 - 9		
NP 81	Pg 11		
NP 100	Pg 12 - 13		
NP121	Pg 14 - 15		
NP120	Pg 16		
TH2	Pg 16		
TH4	Pg 16		

Please provide sample parts or prints for items not found in this catalog.

We at Star Metal Products look forward to serving you, and encourage you to review the following terms and conditions to ensure a mutually successful business transaction.

- Terms are net 30 days from shipment, F.O.B. Ourdock, Westlake, Ohio Freight Collect. All prices subject to change without notice.
- Our minimum billing is \$50.00
- Quotations are valid for 90 days unless otherwise specified.
- Star Metal Products Blanket Order Policy

Duration :

Blanket Orders will be held for a maximum time period of six months. Any line item open six months from the date of receipt of customer order will ship automatically. Duration of blanket order may extend up to one year, only if specific release quantities and release dates are supplied with customer order.

Releases :

Upon completion of job order, 25% of each line item (with a minimum of 1 piece) will be shipped to customer. The balance of each line item will be held for release by customer within the six month time frame.

- Cancellation will be subject to a charge for any applicable material used and labor employed for work in progress.
- Returns :
We regret that positively no tooling may be returned without factory authorization. Returns must be made within 60 days of receiving merchandise. We will not be responsible for shipping charges incurred by customers that deviate from this policy. We reserve the right to only repair tooling accepted under these conditions.

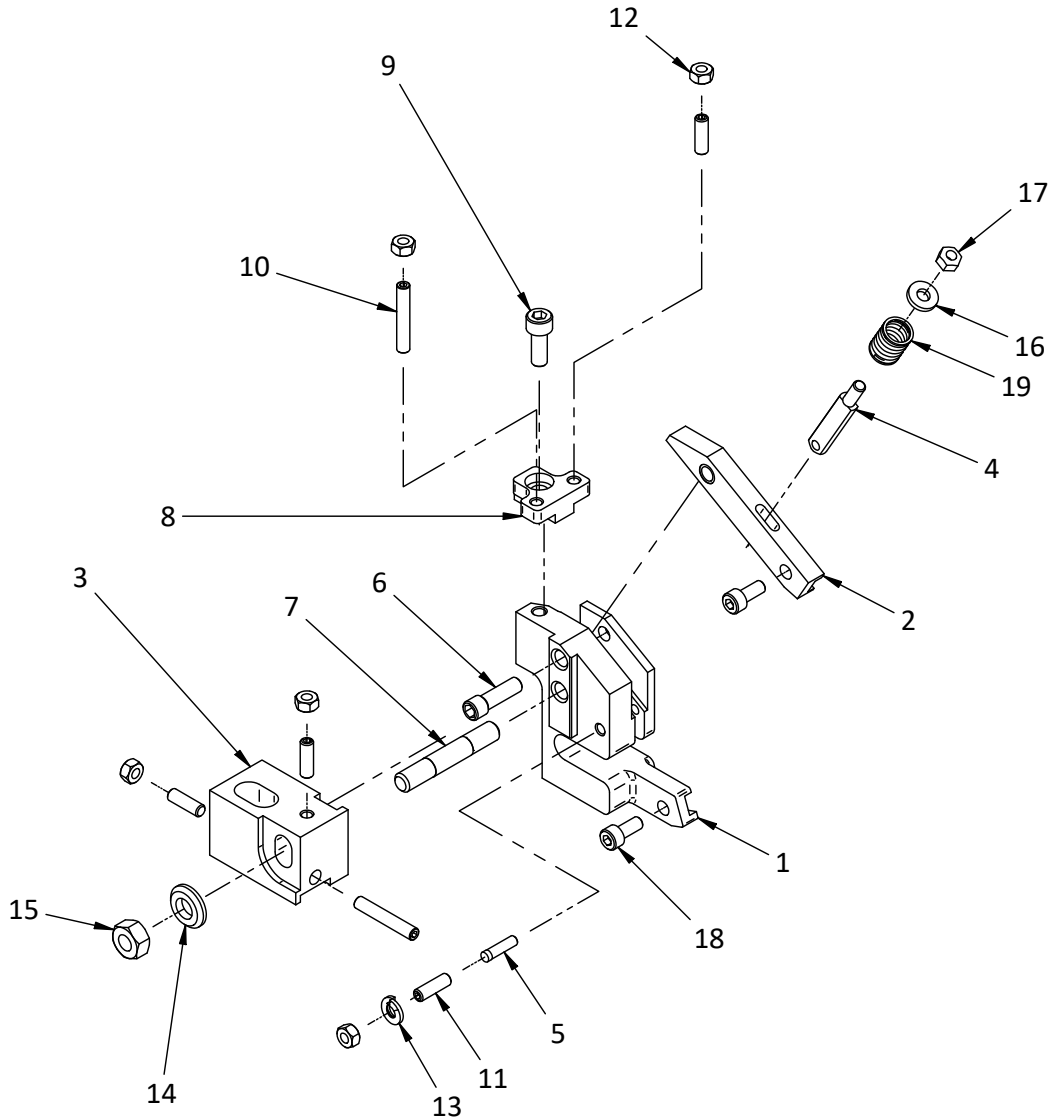
PHONE: (440) 899-7000
FAX : (440) 899-7171

CATALOG: 1606
PAGE 2
2016 CATALOG

EMAIL : sales@starmetal.com
<http://www.starmetal.com>

REV.190423

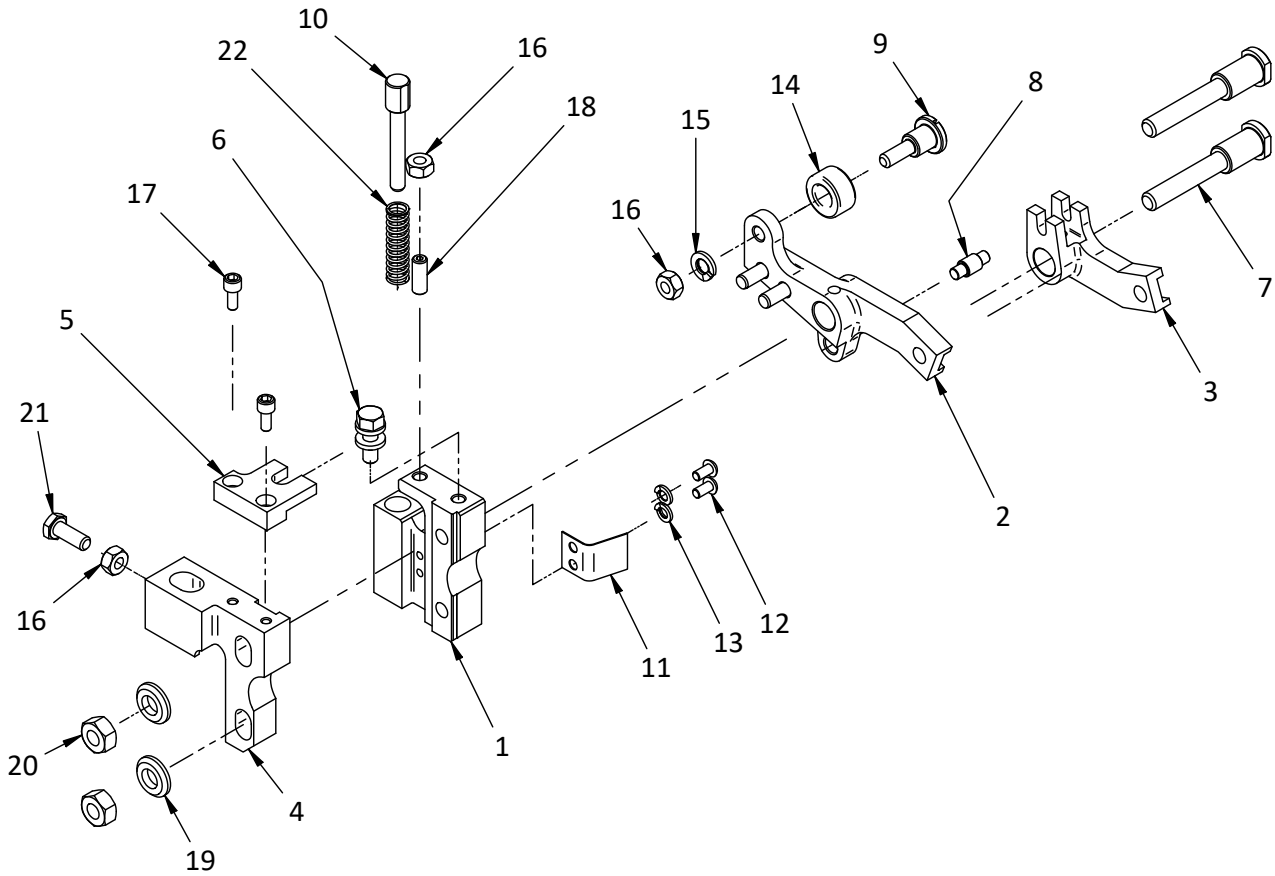
NS 41A



KEY #	DESCRIPTION	QTY	KEY #	DESCRIPTION	QTY
1	TRANSFER HEAD	1	11	SET SCREW - SOCKET	4
2	FINGER HOLDER	1	12	NUT	5
3	BLOCK	1	13	WASHER	1
4	PIN	1	14	WASHER	1
5	PIN	1	15	NUT	1
6	PIN	1	16	WASHER	1
7	STUD	1	17	NUT	1
8	BLOCK	1	18	CAP SCREW - SOCKET	2
9	CAP SCREW - SOCKET	1	19	SPRING	1
10	SET SCREW - SOCKET	2			

NP 40 / 60

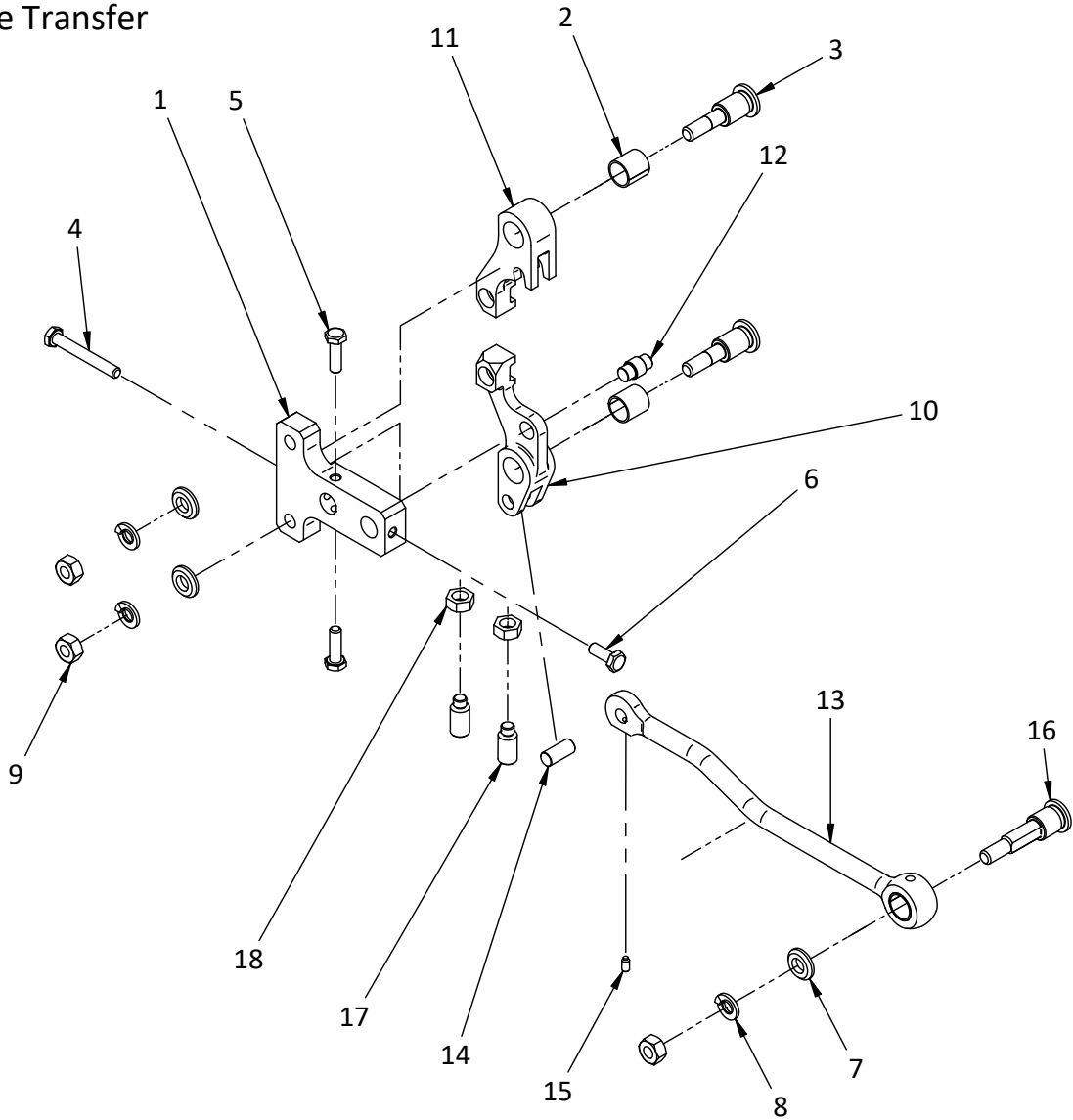
NP60: CO - 1st Die Transfer



KEY #	DESCRIPTION	QTY	KEY #	DESCRIPTION	QTY
1	BODY	1	12	CAP SCREW - BUTTON	2
2	FINGER HOLDER - TOP	1	13	WASHER	2
3	FINGER HOLDER - BOTTOM	1	14	BEARING	1
4	BLOCK	1	15	WASHER	1
5	BLOCK	1	16	NUT	3
6	SCREW	1	17	CAP SCREW - SOCKET	2
7	PIN	2	18	SET SCREW - SOCKET	1
8	PIN	1	19	WASHER	2
9	PIN	1	20	NUT	2
10	PIN	1	21	CAP SCREW - HEX	1
11	PLATE	1	22	SPRING	1

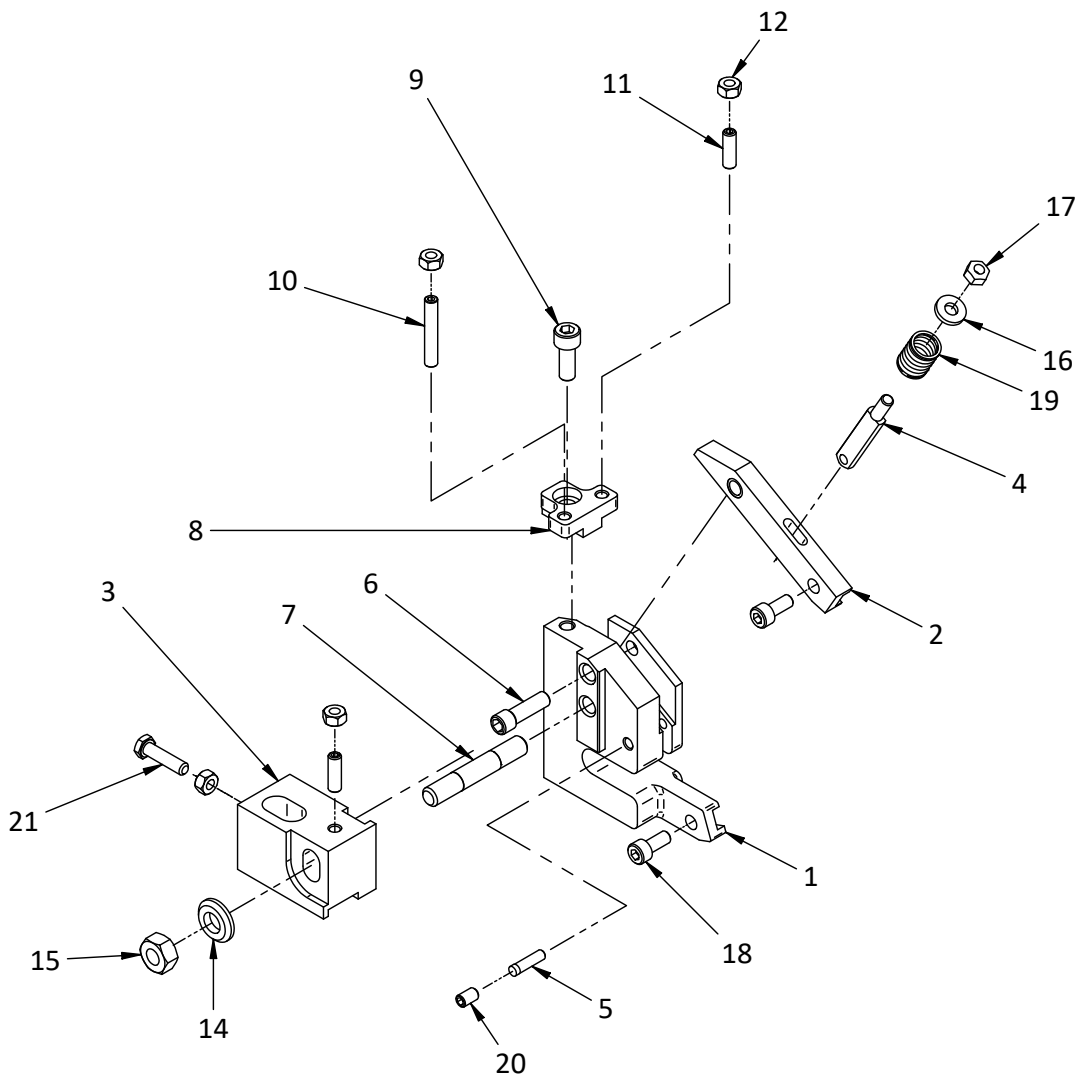
NP60

1st - 2nd Die Transfer



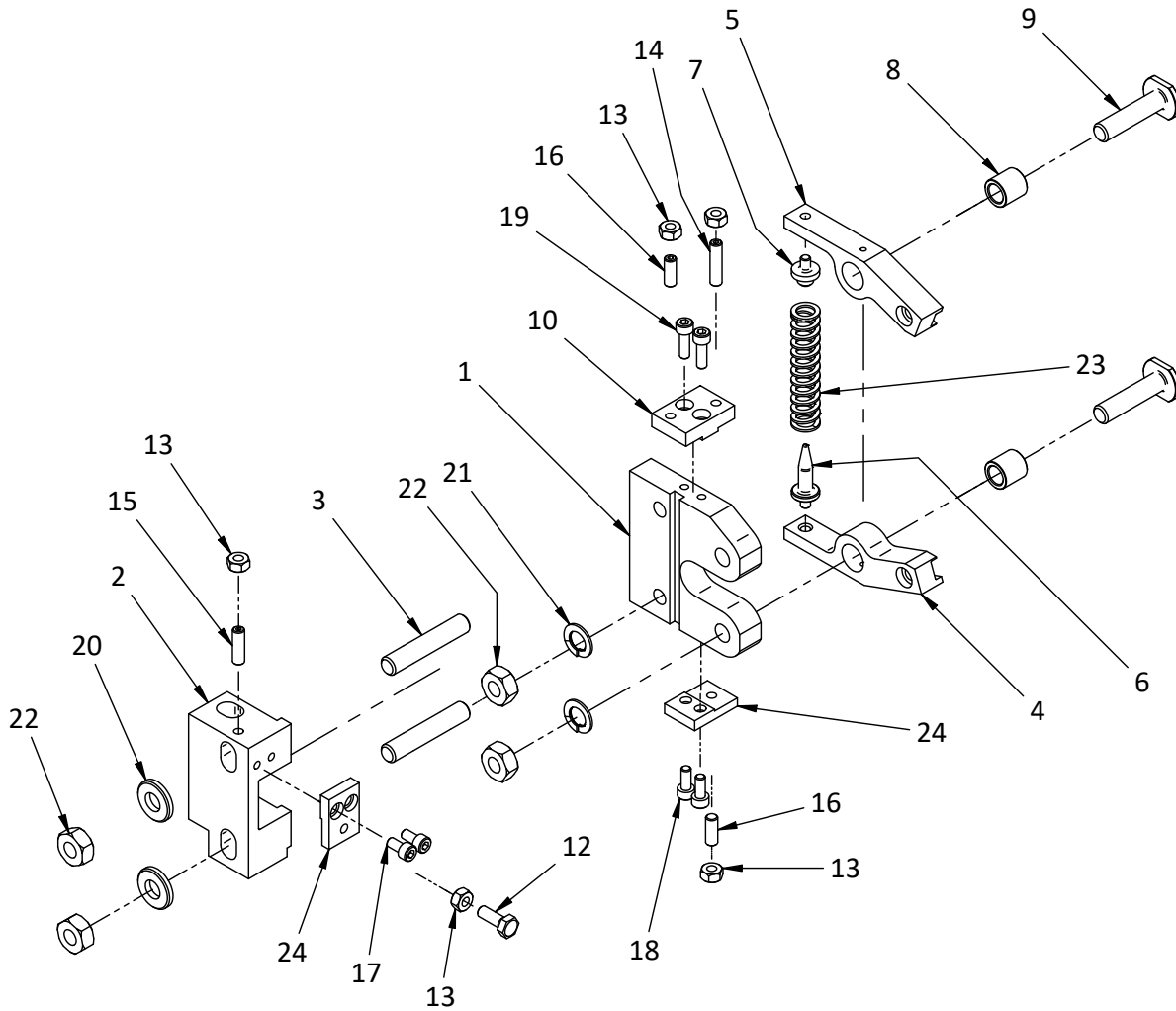
KEY #	DESCRIPTION	QTY	KEY #	DESCRIPTION	QTY
1	BLOCK	1	10	ARM	1
2	BUSHING	2	11	ARM	1
3	PIN	2	12	PIN	1
4	CAP SCREW - HEX	1	13	LINK	1
5	CAP SCREW - HEX	2	14	PIN	1
6	CAP SCREW - HEX	1	15	SET SCREW - SOCKET	1
7	WASHER	3	16	PIN	1
8	WASHER	3	17	SET SCREW - SOCKET	2
9	NUT	3	18	NUT	2

NS 61E



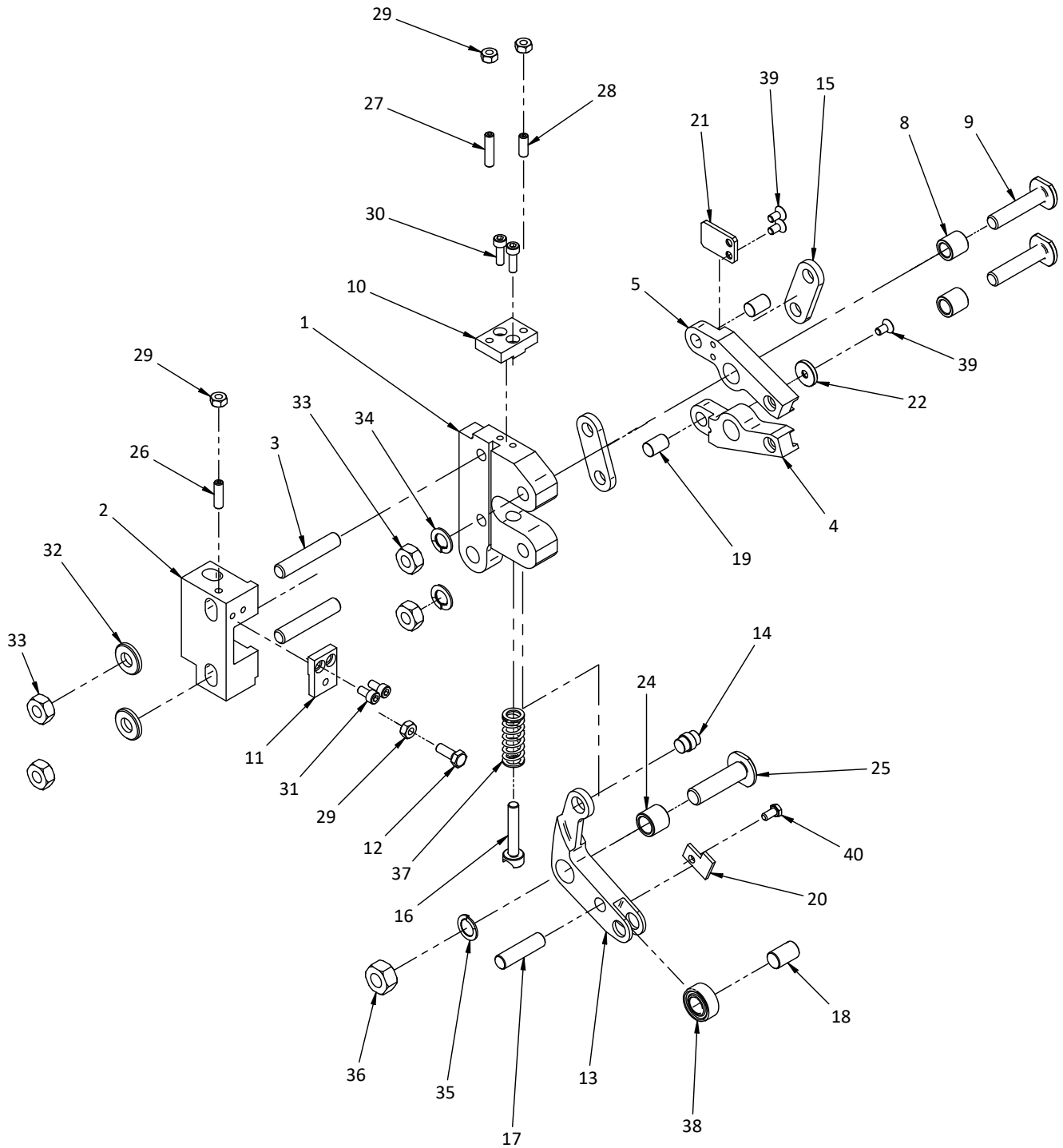
KEY #	DESCRIPTION	QTY	KEY #	DESCRIPTION	QTY
1	TRANSFER HEAD	1	11	SET SCREW - SOCKET	2
2	FINGER HOLDER	1	21	SCREW	1
3	BLOCK	1	12	NUT	4
4	PIN	1	20	SCREW	1
5	PIN	1	14	WASHER	1
6	PIN	1	15	NUT	1
7	STUD	1	16	WASHER	1
8	BLOCK	1	17	NUT	1
9	CAP SCREW - SOCKET	1	18	CAP SCREW - SOCKET	2
10	SET SCREW - SOCKET	1	19	SPRING	1

NS80E



KEY #	DESCRIPTION	QTY	KEY #	DESCRIPTION	QTY
1	TRANSFER HEAD	1	13	NUT	5
2	CLAMP	1	14	SET SCREW - SOCKET	1
3	STUD	2	15	SET SCREW - SOCKET	1
4	LEFT FINGER HOLDER	1	16	SET SCREW - SOCKET	2
5	RIGHT FINGER HOLDER	1	17	CAP SCREW - SOCKET	2
6	SEAT	1	18	CAP SCREW - SOCKET	2
7	SEAT	1	19	CAP SCREW - SOCKET	2
8	BUSHING	2	20	WASHER	2
9	PIN	2	21	WASHER	2
10	PLATE	1	22	NUT	4
24	PLATE	2	23	SPRING	1
12	SCREW	1			

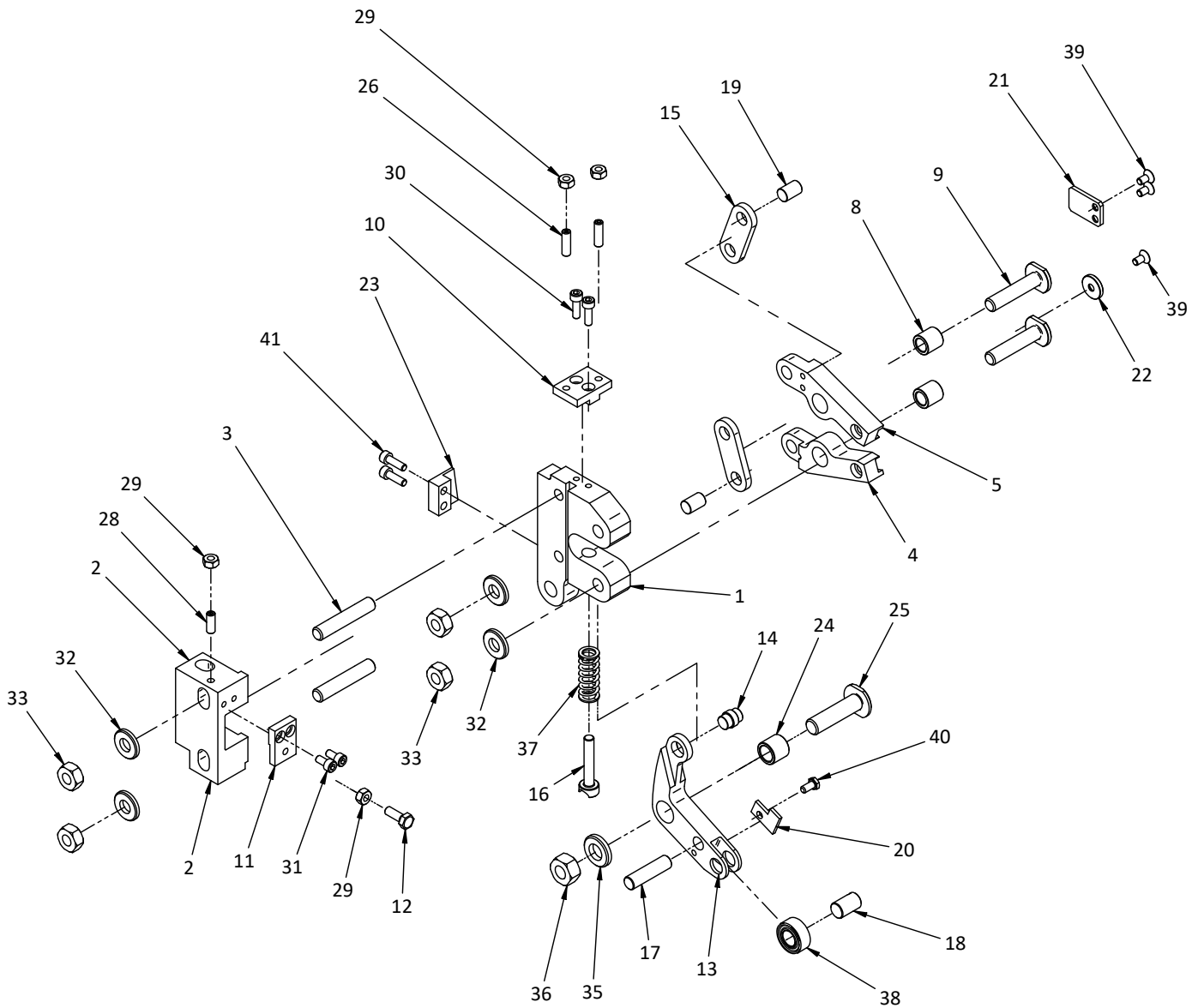
NS80L



NS80L

KEY #	DESCRIPTION	QTY	KEY #	DESCRIPTION	QTY
1	TRANSFER HEAD	1	22	WASHER	1
2	CLAMP	1	24	BUSHING	1
3	STUD	2	25	PIN	1
4	LEFT FINGER HOLDER	1	26	SET SCREW - SOCKET	1
5	RIGHT FINGER HOLDER	1	27	SET SCREW - SOCKET	1
8	BUSHING	2	28	SET SCREW - SOCKET	1
9	PIN	2	29	NUT	4
10	PLATE	1	30	CAP SCREW - SOCKET	2
11	PLATE	1	31	CAP SCREW - SOCKET	2
12	SCREW	1	32	WASHER	2
13	LEVER	1	33	NUT	4
14	PIN	1	34	WASHER	2
15	LINK	2	35	WASHER	1
16	PIN	1	36	NUT	1
17	PIN	1	37	SPRING	1
18	PIN	1	38	BEARING NEEDLE	1
19	PIN	2	39	SCREW	3
20	PLATE	1	40	SCREW	1
21	PLATE	1			

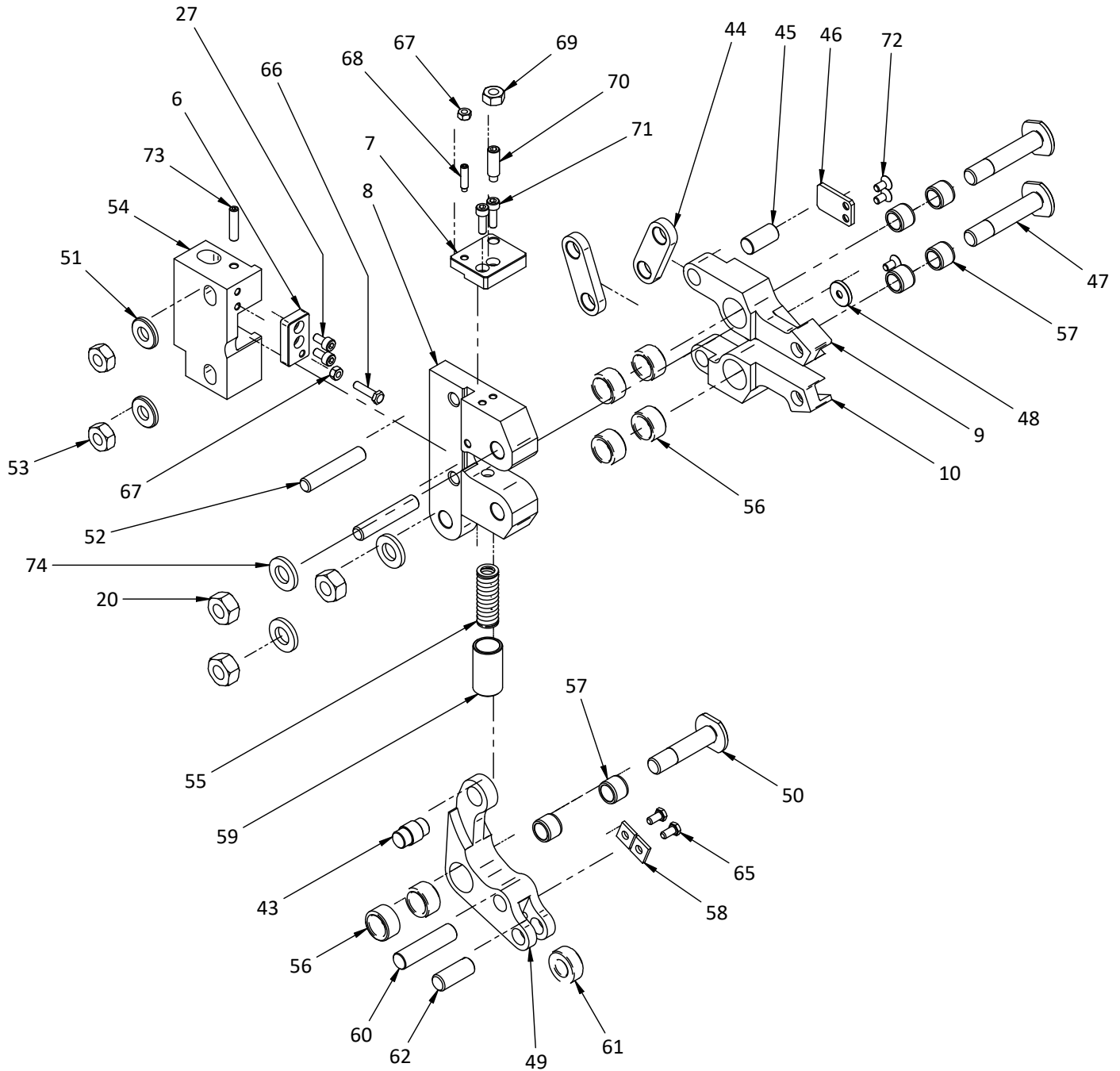
NS80L / NP81



NS80L / NP81

KEY #	DESCRIPTION	QTY	KEY #	DESCRIPTION	QTY
1	TRANSFER HEAD	1	22	WASHER	1
2	CLAMP	1	23	BLOCK	1
3	STUD	2	24	BUSHING	1
4	LEFT FINGER HOLDER	1	25	PIN	1
5	RIGHT FINGER HOLDER	1	26	SET SCREW - SOCKET	2
8	BUSHING	2	28	SET SCREW - SOCKET	1
9	PIN	2	29	NUT	4
10	PLATE	1	30	CAP SCREW - SOCKET	2
11	PLATE	1	31	CAP SCREW - SOCKET	2
12	SCREW	1	32	WASHER	4
13	LEVER	1	33	NUT	4
14	PIN	1	35	washer	1
15	LINK	2	36	NUT	1
16	PIN	1	37	SPRING	1
17	PIN	1	38	BEARING NEEDLE	1
18	PIN	1	39	SCREW	3
19	PIN	2	40	SCREW	1
20	PLATE	1	41	CAP SCREW - SOCKET	2
21	PLATE	1			

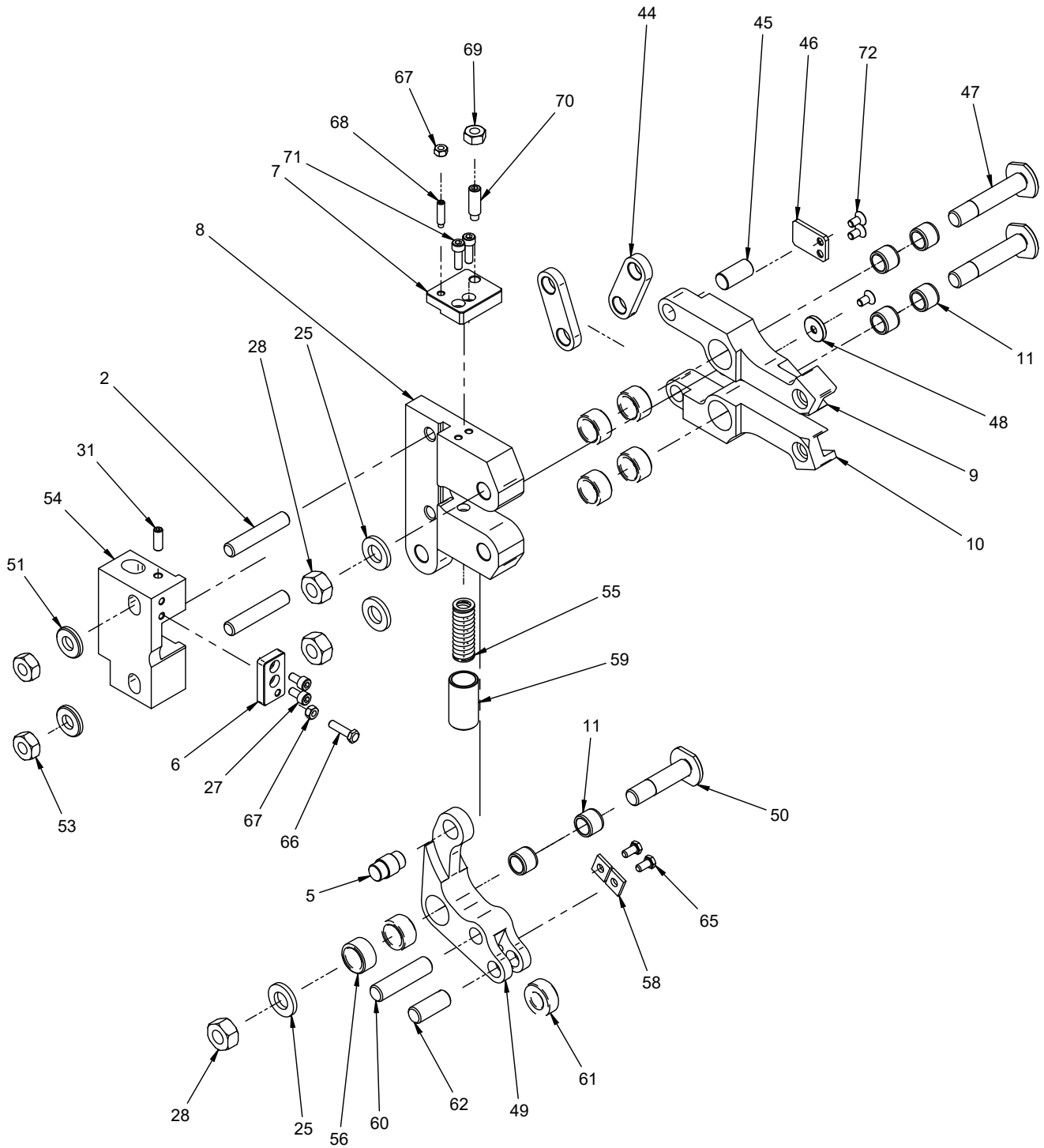
NP 100



NP 100

KEY #	DESCRIPTION	QTY
6	PLATE	1
7	PLATE	1
8	TRANSFER HEAD	1
9	FINGER HOLDER - UPPER	1
10	FINGER HOLDER - LOWER	1
20	NUT	3
27	CAP SCREW - SOCKET	2
43	PIN	1
44	LINK	2
45	PIN	2
46	PLATE	1
47	PIN	2
48	WASHER	1
49	LEVER	1
50	PIN	1
51	WASHER	2
52	STUD	2
53	NUT	2
54	HOLDER	1
55	SPRING	1
56	BEARING	6
57	BUSHING	6
58	PLATE	2
59	GUIDE	1
60	PIN	1
61	BEARING	1
62	PIN	1
65	SCREW	2
66	SCREW	1
67	NUT	2
68	SET SCREW - SOCKET	1
69	NUT	1
70	SET SCREW - SOCKET	1
71	CAP SCREW - SOCKET	2
72	SCREW	3
73	SET SCREW - SOCKET	1
74	WASHER	3

NP121



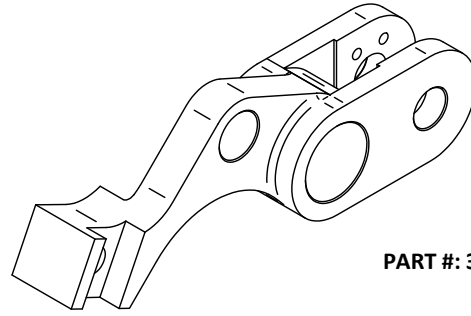
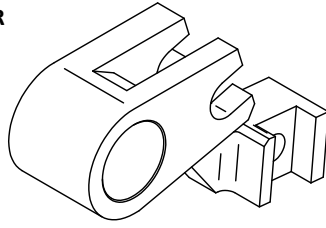
NP121

KEY #	DESCRIPTION	QTY	KEY #	DESCRIPTION	QTY
2	STUD	2	51	WASHER	2
5	PIN	1	53	NUT	2
6	PLATE	1	54	HOLDER	1
7	PLATE	1	55	SPRING	1
8	TRANSFER HEAD	1	56	BEARING	6
9	FINGER HOLDER - UPPER	1	58	PLATE	2
10	FINGER HOLDER - LOWER	1	59	GUIDE	1
11	BUSHING	6	60	PIN	1
25	WASHER	3	61	BEARING	1
27	CAP SCREW - SOCKET	2	62	PIN	1
28	NUT	3	65	SCREW	2
31	SET SCREW - SOCKET	1	66	SCREW	1
44	LINK	2	67	NUT	2
45	PIN	2	68	SET SCREW - SOCKET	1
46	PLATE	1	69	NUT	1
47	PIN	2	70	SET SCREW - SOCKET	1
48	WASHER	1	71	CAP SCREW - SOCKET	2
49	LEVER	1	72	SCREW	3
50	PIN	1			

TRANSFER ARMS

NP 120 2D3B

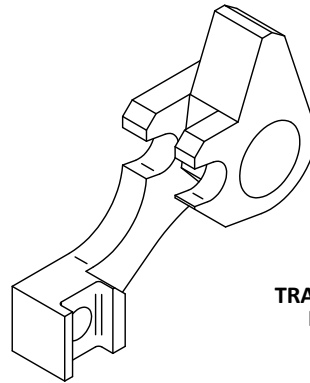
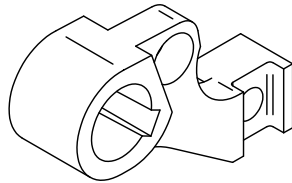
RIGHT ARM
PART #: 3-NP120R



PART #: 3-NP120L

TH 2

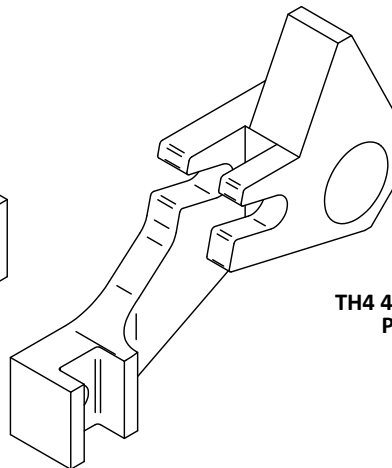
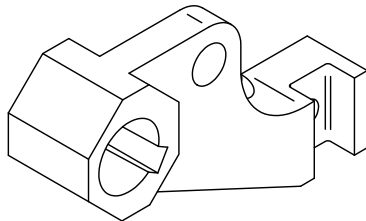
TH2 LH TRANSFER ARM #7
PART #: 3-TH2-6L



TRANSFER ARM - RIGHT
PART #: 3-TH2-6R

TH 4

TH4 4D PROG. LEFT TRANS. ARM
PART #: 3-TH4-10L



TH4 4D PROG. ARM - RIGHT
PART #: 3-TH4-10R

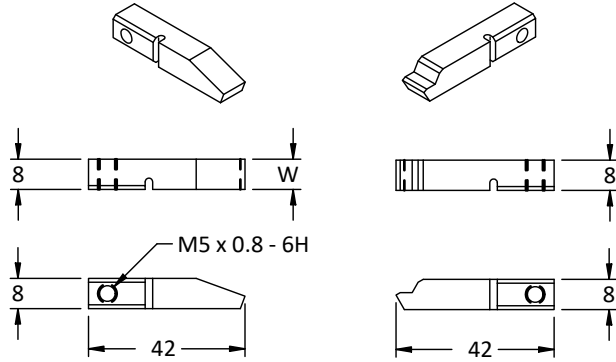
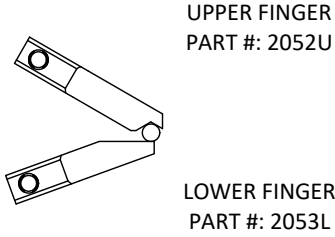
TRANSFER FINGERS

NS41 , NS61

SPECIFY:
 - PART NUMBER
 - WIRE RANGE
 IN (MM)
 - W

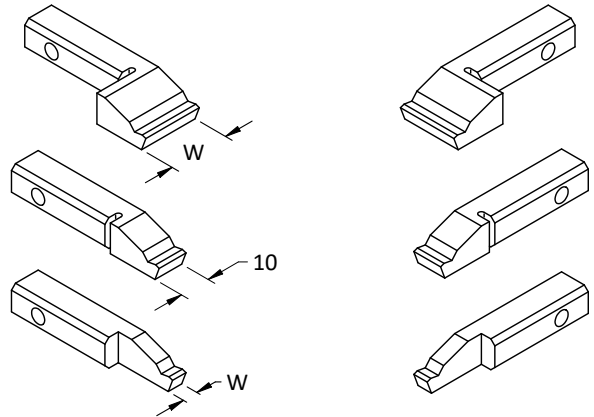
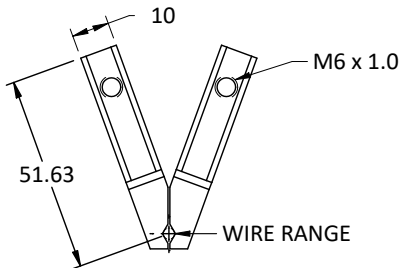
DETAIL	WIRE RANGE (mm)
01	1.5 - 2.5
02	2.5 - 3.5
03	3.5 - 4.5
04	4.5 - 5.5

STANDARD FINGER W=3.0 or 8.0



NP40 NP60 c/o - 1st NS60, NS61

SPECIFY:
 - PART NUMBER
 - WIRE RANGE
 IN (MM)
 - W



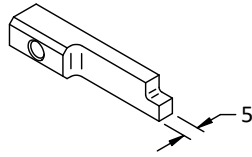
LOWER FINGER
PART #: 3-NP60LF

UPPER FINGER
PART #: 3-NP60UF

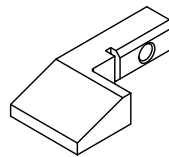
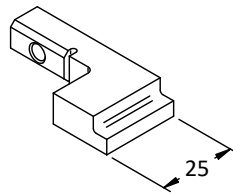
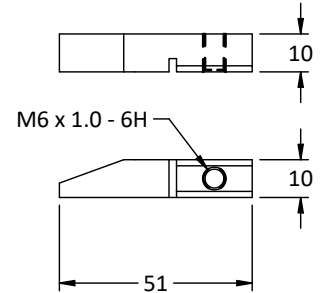
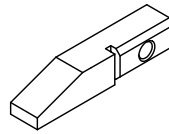
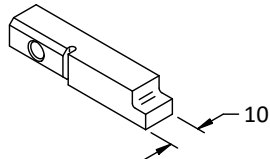
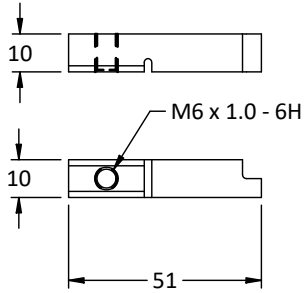
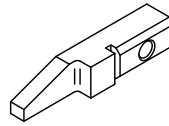
NS/NP 80, NS81 TRANSFER FINGERS

C/O - 1st Die TRANSFER

LOWER FINGER
PART #: 3-N81L

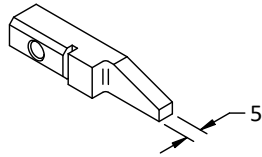


UPPER FINGER
PART #: 3-N81U



1st - 2nd Die TRANSFER

UPPER FINGER
PART #: 3-N82U



LOWER FINGER
PART #: 3-N82L

