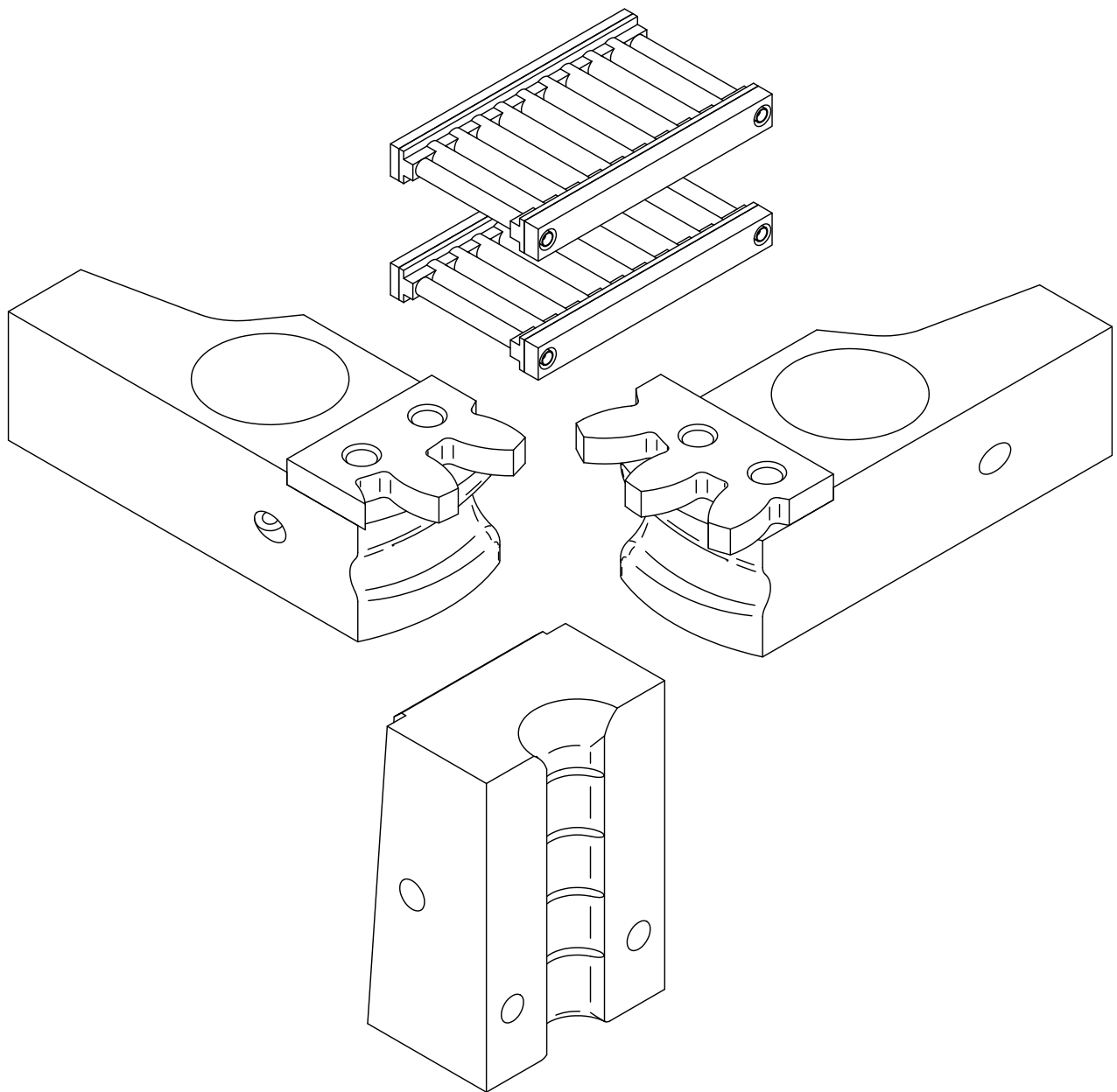


Ajax



**When quoting or placing an order,
specify the following:**

- **Catalog & Page Number**
- **Machine Size**
- **Key Number**
- **Quantity**
- **Part Number (if available)**

**Please provide sample parts or prints
for items not found in this catalog.**

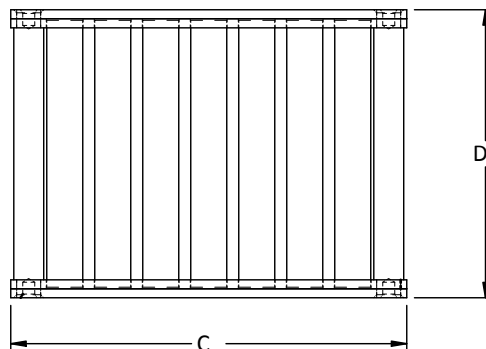
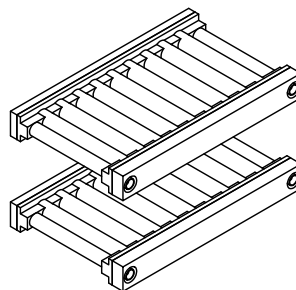
We at Star Metal Products look forward to serving you, and encourage you to review the following terms and conditions to ensure a mutually successful business transaction.

- Terms are net 30 days from shipment, F.O.B. Ourdock, Westlake, Ohio Freight Collect. All prices subject to change without notice.
- Our minimum billing is \$50.00
- Quotations are valid for 90 days unless otherwise specified.
- Star Metal Products Blanket Order Policy
Duration: Blanket Orders will be held for a maximum time period of six months. Any line item open six months from the date of receipt of customer order will ship automatically. Duration of blanket order may extend up to one year, only if specific release quantities and release dates are supplied with customer order.

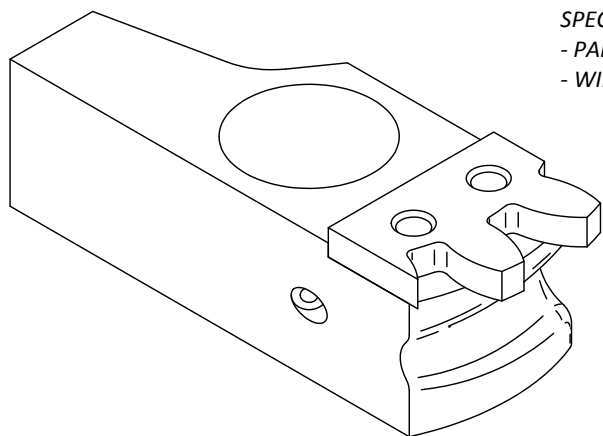
Releases: Upon completion of job order, 25% of each line item (with a minimum of 1 piece) will be shipped to customer. The balance of each line item will be held for release by customer within the six month time frame.
- Cancellation will be subject to a charge for any applicable material used and labor employed for work in progress.
- Returns: We regret that positively no tooling may be returned without factory authorization. Returns must be made within 60 days of receiving merchandise. We will not be responsible for shipping charges incurred by customers that deviate from this policy. We reserve the right to only repair tooling accepted under these conditions.

ROLLER CAGES

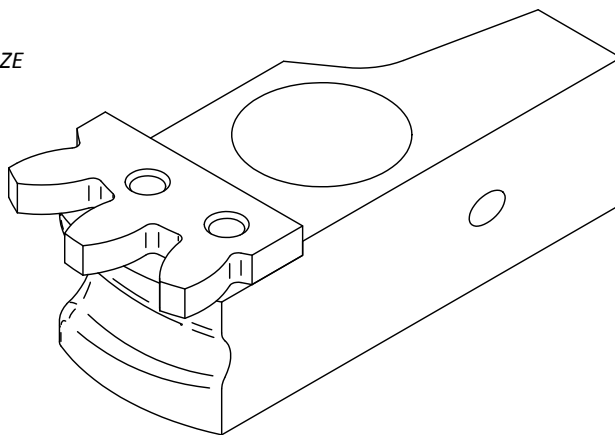
MACHINE	PART #	REF.#	C	D
#0	4-2000RC	DA-5091-A	2 11/16	2 25/32
#0 & 1	4-1999RC	DA-7264	2 3/4	2 1/32
#1	4-2001RC	DA-5072-A	3 3/16	2 3/4
#2	4-2003RC	DA-7520	3 3/16	2 9/32
#2	4-2002RC	DA-5160	3 11/16	3 1/32
#3	4-1998RC	DA-7743	3 11/16	2 17/32
#3	4-2004RC	DA-5160-L	4 1/8	3
#3	4-2005RC	DA-5160-A	3 11/16	3 1/32
#4	4-2006RC	WL-5105	5 3/16	3 1/32
#4	4-2007RC	DA-5160-B	4 1/8	3 1/32
#5	4-2008RC	DB-5071-A	6 3/16	3 7/32
#5	4-2009RC	WL-5105-A	5 3/16	3 1/32
#6	4-2010RC	WL-5127-B	5 3/16	3 11/32
#6	4-2011RC	WL-5162	5 1/4	3 5/16
#7	4-2012RC	WM-5013-A	7 11/16	3 3/8
#7	4-2013RC	WM-5013	8 3/16	3 3/8



INCHING FINGERS

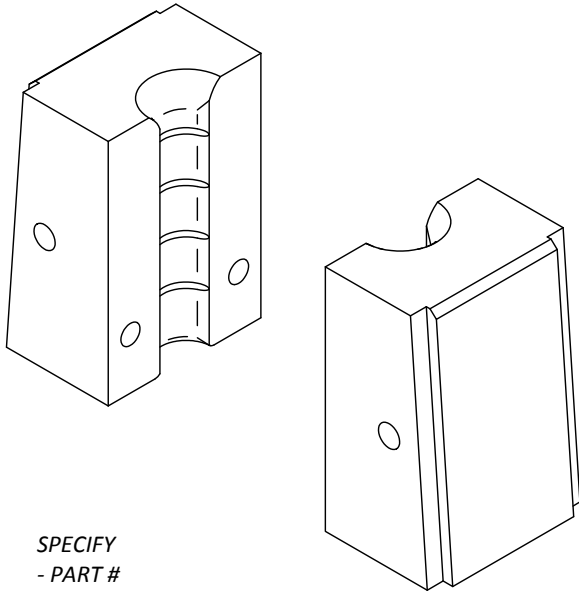


SPECIFY
- PART #
- WIRE SIZE

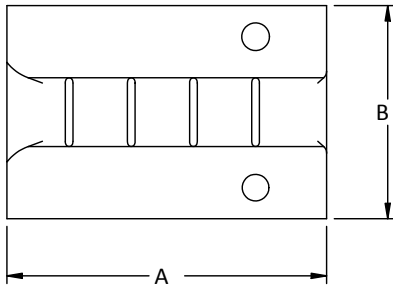


MACHINE	PART #	REF.#
#2	4-2003G	DA-5110
#3	4-2005G	DA-5137
#4	4-2007G	-
#5	4-2009G	DK-5199

INCH GRIP BLOCKS

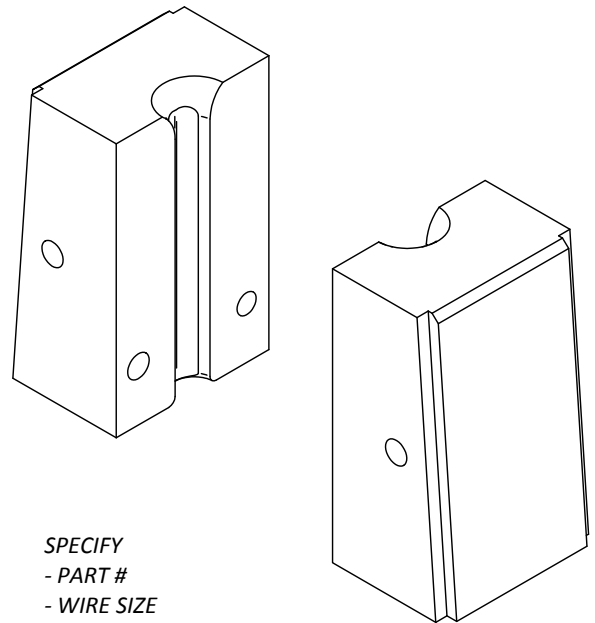


SPECIFY
- PART #
- WIRE SIZE

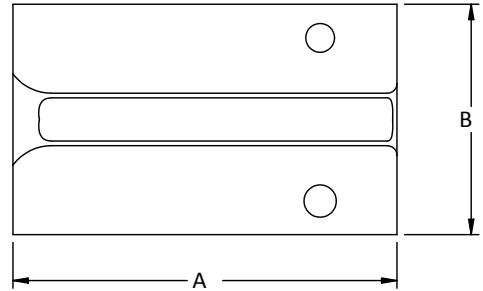


MACHINE	PART #	REF.#	A	B
#2	4-2003	DA-7496	3	1 3/4
#3	4-2005	DA-5159-A	3 1/2	3
#4	4-2007	DA-5218-C	4	3
#5	4-2009	DB-5038	5	3
#5	4-2009A	DB-5038-A	4 1/2	3
#6	4-2011A	-	5	3 1/2
#6	4-2011	WL-5131-C	4 1/2	3 1/2
#6	4-2012SP	-	7	3 1/2
#7	4-2013	DK-5004	8	3 1/2
#8	4-2015	DL-5124	10	4 1/2

WEDGE GRIP BLOCKS



SPECIFY
- PART #
- WIRE SIZE



MACHINE	PART #	REF.#	A	B
#0	4-1999	DA-7271	2 1/2	1 1/2
#0	4-2000	DA-5093	2 1/2	2 3/4
#1	4-2001	DA-5040	3	2 3/4
#2	4-2002	DA-5159	3 1/2	3
#3	4-1998	DA-7756	3 1/2	2
#3	4-2004	DA-5218	4	3
#4	4-2006	DB-5037	5	3
#5	4-2008	DB-5068	6	3 1/4
#6	4-2012	WL-5160-AR	7	3 1/2
#7	4-2010	WM-5063	8	3 1/2
#8	4-2014	DL-5123	10	4 1/2