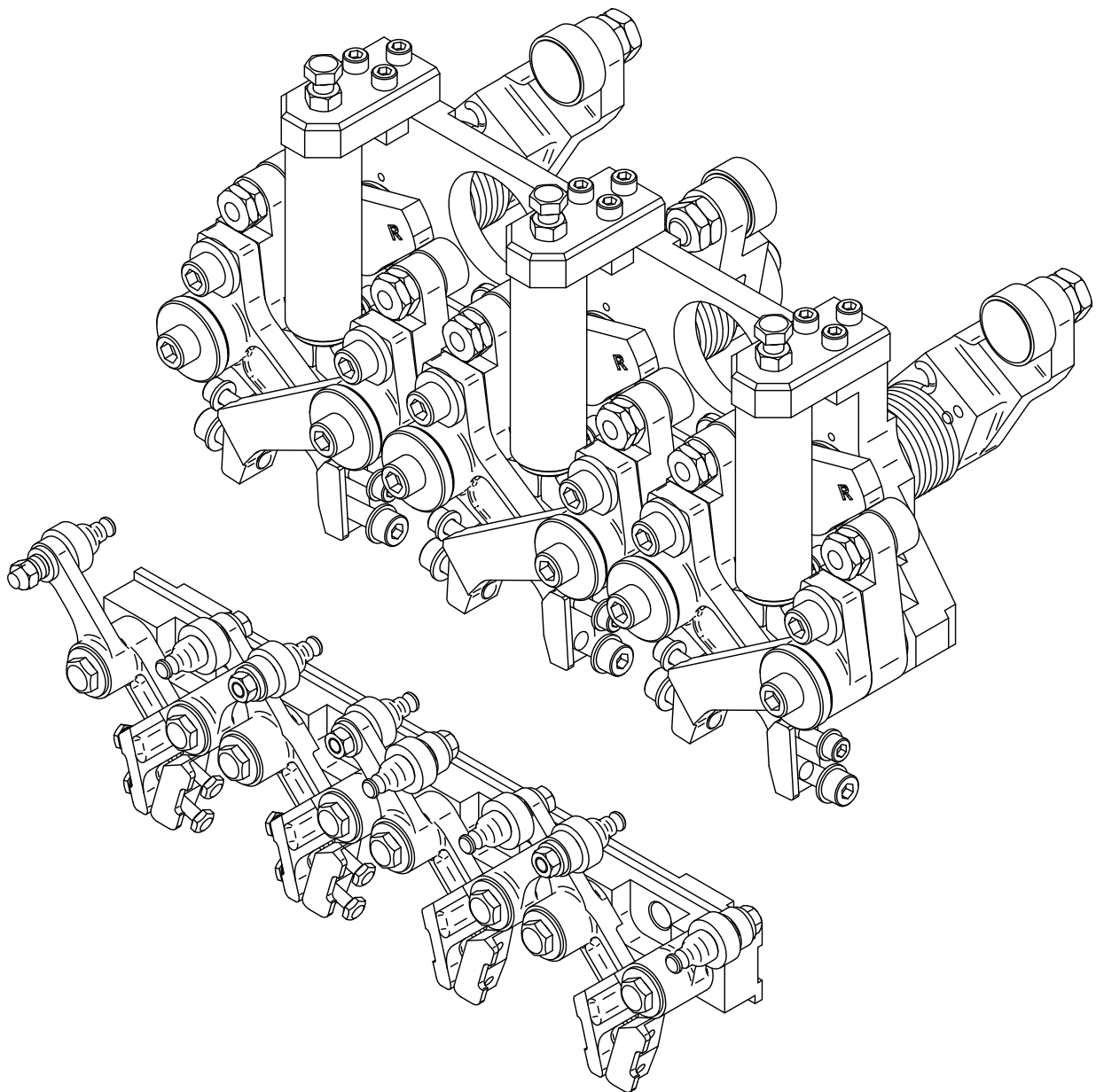


*Nedschroef*



**When quoting or placing an order,  
specify the following:**

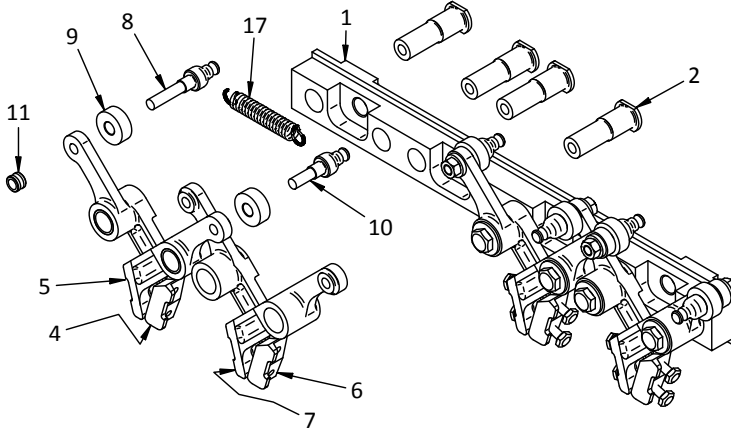
- **Catalog & Page Number**
- **Machine Size**
- **Key Number**
- **Quantity**
- **Part Number (if available)**

**Please provide sample parts or prints  
for items not found in this catalog.**

We at Star Metal Products look forward to serving you, and encourage you to review the following terms and conditions to ensure a mutually successful business transaction.

- Terms are net 30 days from shipment, F.O.B. Ourdock, Westlake, Ohio Freight Collect. All prices subject to change without notice.
- Our minimum billing is \$50.00
- Quotations are valid for 90 days unless otherwise specified.
- Star Metal Products Blanket Order Policy  
Duration: Blanket Orders will be held for a maximum time period of six months. Any line item open six months from the date of receipt of customer order will ship automatically. Duration of blanket order may extend up to one year, only if specific release quantities and release dates are supplied with customer order.  
  
Releases: Upon completion of job order, 25% of each line item (with a minimum of 1 piece) will be shipped to customer. The balance of each line item will be held for release by customer within the six month time frame.
- Cancellation will be subject to a charge for any applicable material used and labor employed for work in progress.
- Returns: We regret that positively no tooling may be returned without factory authorization. Returns must be made within 60 days of receiving merchandise. We will not be responsible for shipping charges incurred by customers that deviate from this policy. We reserve the right to only repair tooling accepted under these conditions.

# BS2, BS4

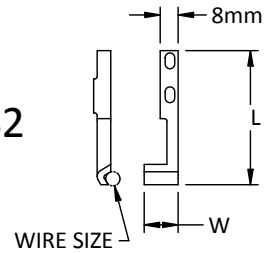


Key #	Description	BS2	BS4
1	TRANSFER BODY	022103-3-4	1-BS4TB
2	ARM PIVOT PIN	1-BS2APP	1-BS4APP
4	TRANSFER ARM POS. 1 & 5	022092-4-2	1-BS4-1
5	TRANSFER ARM POS. 2 & 6	022093-4-0	1-BS4-2
6	TRANSFER ARM POS. 3 & 7	022094-4-2	1-BS4-3
7	TRANSFER ARM POS. 4 & 8	022095-4-0	1-BS4-4
8	SPRING PIN - LONG	1-BS2APL	1-BS4APL
9	ROLLER	1-BS2AR	1-BS4AR
10	SPRING PIN - SHORT	1-BS2APS	1-BS4APS
11	SPRING PIN BUSHING	1-BS2APB	1-BS4APB
17	SPRING	1-BS2S	1-BS4S

## FINGERS

LEFT HAND  
SHOWN

### BS2



REF. PART#

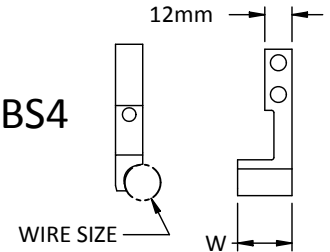
BS2 = 3-6B1-1 (M6, 1/4)

3-6B1-2 (M8, 5/16)

SPECIFY:

- LH or RH Hand
- MACHINE SIZE
- WIRE SIZE
- W & L

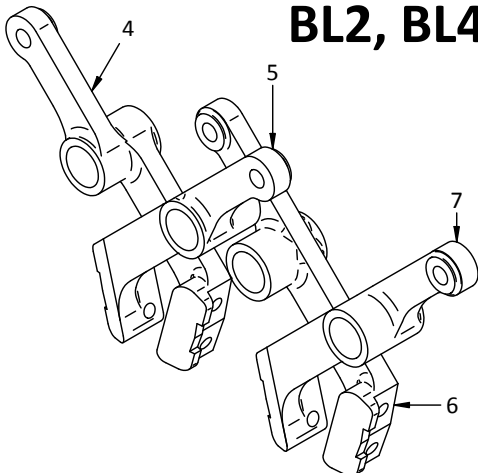
### BS4



Ex. Part #: 3-641L16-3

(L) Left or (R) Right Hand  
W - In MM  
Item #

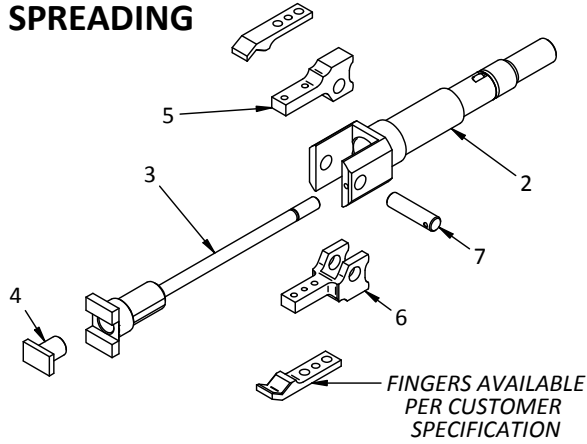
# BL2, BL4



Key #	Description	Part #	Machine
4	TRANSFER ARM ARM POS. 1 & 5	1-BL21	BL2
5	TRANSFER ARM ARM POS. 2 & 6	1-BL22	BL2
6	TRANSFER ARM ARM POS. 3 & 7	1-BL23	BL2
7	TRANSFER ARM ARM POS. 4 & 8	1-BL24	BL2
4	TRANSFER ARM ARM POS. 1 & 5	1-BL41	BL4
5	TRANSFER ARM ARM POS. 2 & 6	1-BL42	BL4
6	TRANSFER ARM ARM POS. 3 & 7	1-BL43	BL4
7	TRANSFER ARM ARM POS. 4 & 8	1-BL44	BL4
4	TRANSFER ARM ARM POS. 1 & 5	1-BV61	BV6
5	TRANSFER ARM ARM POS. 2 & 6	1-BV62	BV6
6	TRANSFER ARM ARM POS. 3 & 7	1-BV63	BV6
7	TRANSFER ARM ARM POS. 4 & 8	1-BV64	BV6

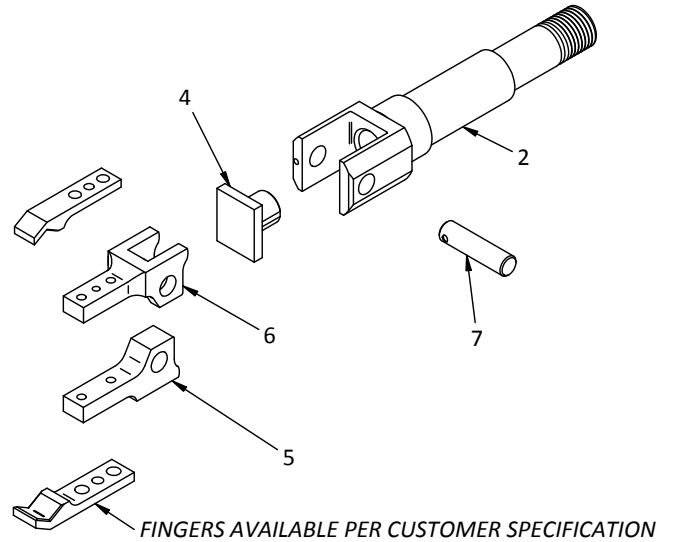
**MM**

**SPREADING**



Size	Key #	Description	Part #
8 MM	2	ROD SPINDLE	4-8RS
8 MM	3	ROD	4-8R
8 MM	4	PLUNGER	4-8P
8 MM	5	LH FINGER HOLDER	4-8FHL
8 MM	6	RH FINGER HOLDER	4-8FHR
8 MM	7	PIN	4-8DP
12 MM	2	ROD SPINDLE	4-12RS
12 MM	3	ROD	4-12R
12 MM	4	PLUNGER	4-12P
12 MM	5	LH FINGER HOLDER	4-12FHL
12 MM	6	RH FINGER HOLDER	4-12FHR
12 MM	7	PIN	4-12DP
16 MM	2	ROD SPINDLE	4-16RS
16 MM	3	ROD	4-16R
16 MM	4	PLUNGER	4-16P
16 MM	5	LH FINGER HOLDER	4-16FHL
16 MM	6	RH FINGER HOLDER	4-16FHR
16 MM	7	PIN	4-16DP

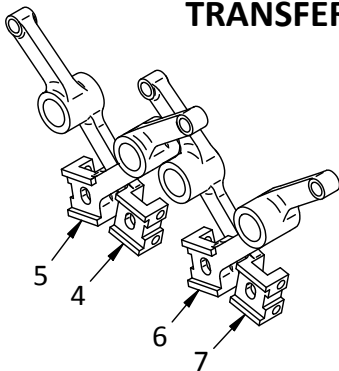
**NON-SPREADING**



Size	Key #	Description	Part #
12 MM	2	ROD SPINDLE	4-12RS1
12 MM	4	PLUNGER	4-12PL1
12 MM	5	LH FINGER HOLDER	4-12FHL1
12 MM	6	RH FINGER HOLDER	4-12FHR1
12 MM	7	PIN	*4-12P1

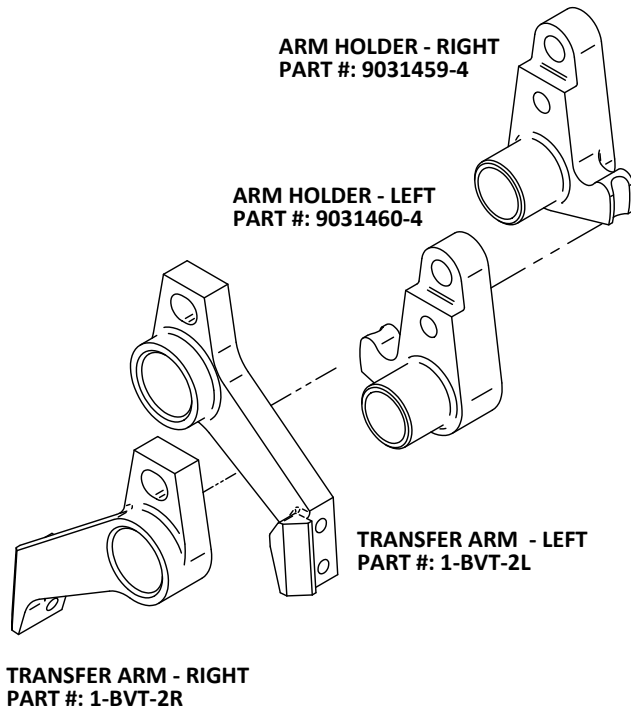
**BM, HPT**

**TRANSFER ARMS**

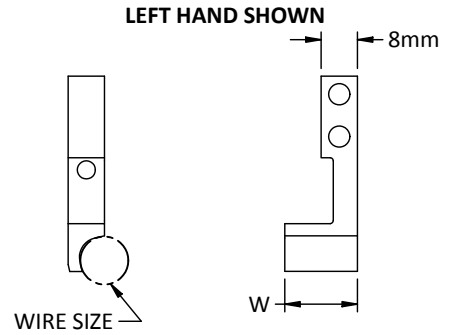


Size	Key #	Part #	Arm Position
HP T2 / BM2	4	1-BM21	1 & 5
HP T2 / BM2	5	1-BM22	2 & 6
HP T2 / BM2	6	1-BM23	3 & 7
HP T2 / BM2	7	1-BM24	4 & 8
HP T4 / BM4	4	1-BM41	1 & 5
HP T4 / BM4	5	1-BM42	2 & 6
HP T4 / BM4	6	1-BM43	3 & 7
HP T4 / BM4	7	1-BM44	4 & 8

## BV2, BVT2



### FINGERS



Item #	Wire Range
1	4.5 - 5.5mm
2	5.5 - 7.0mm
3	7.0 - 9.0mm
4	9.0 - 11.0mm

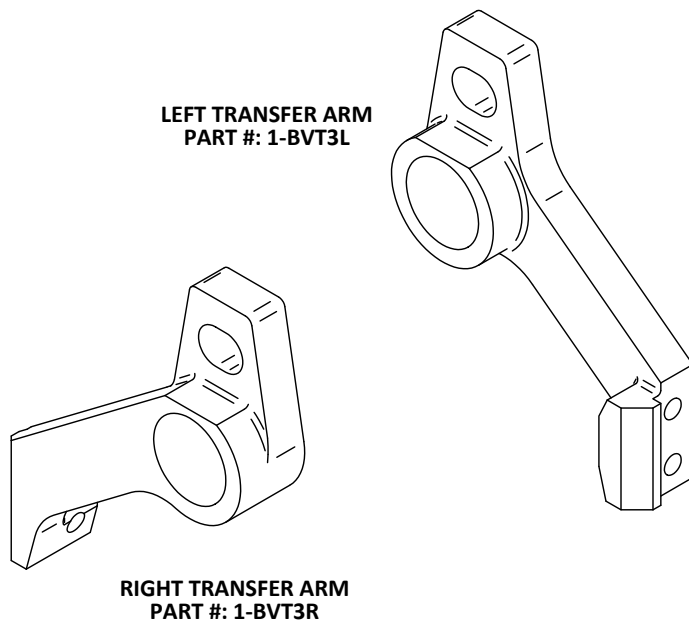
Ex. Part #: 3-621L16-3

(L) Left or (R) Right Hand

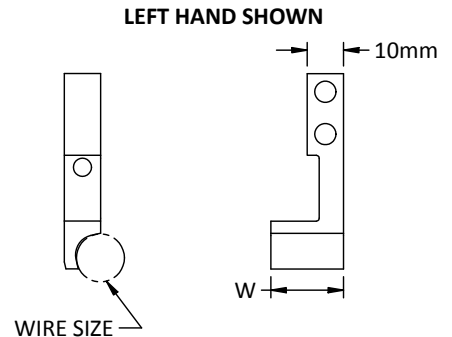
W - In MM

Item #

## BV3, BVT3



### FINGERS



Item #	Wire Range
1	5.0 - 7.0mm
2	7.0 - 9.0mm
3	11.0 - 12.5mm
4	12.5 - 14.0mm

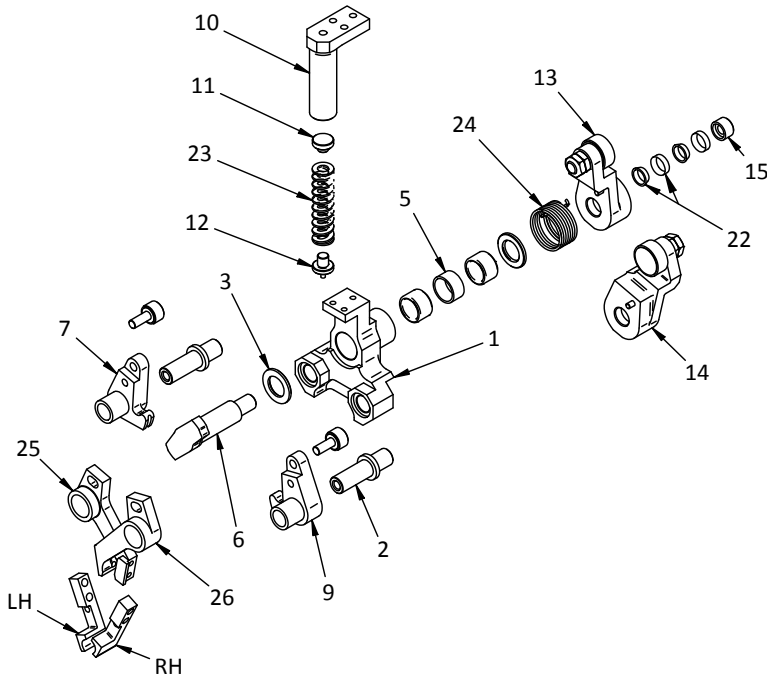
Ex. Part #: 3-631L16-3

(L) Left or (R) Right Hand

W - In MM

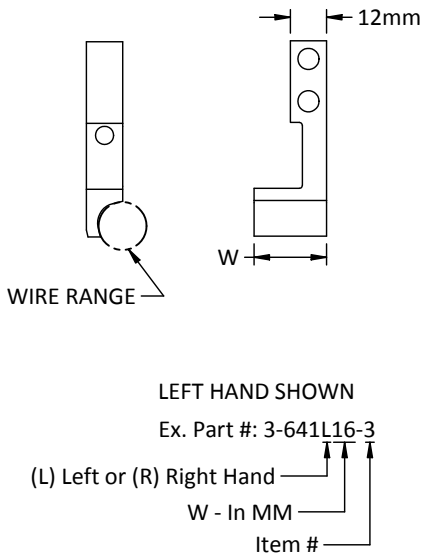
Item #

# BV4, BVT4



Key #	Description	Part #
1	TRANSFER HEAD - 1ST STA	1-BV4TH1
2	PIVOT SHAFT	1-BV4PS
3	SPACER WASHER	1-BV4SW
5	CAM BEARING SPACER	1-BV4BS
6	CAM	1-BV4C
7	LEFT ARM HOLDER	9045518-4-02
9	RIGHT ARM HOLDER	9045519-4-02
10	SPRING HOLDER	1-BV4SH
11	UPPER SPRING SEAT	1-BV4USS
12	LOWER SPRING SEAT	1-BV4LSS
13	ROLLER LEVER - STYLE 1	1-BV4RL1
14	ROLLER LEVER - STYLE 2	1-BV4RL2
15	ROLLER LEVER CLAMP	1-BV4RLC
22	TAPER LOCKING WASHER	1-BV4TWC
23	COMPRESSION SPRING	1-BV4CS
24	TORSION SPRING	1-BV4TS
25	LEFT ARM	1-BVT4L
26	RIGHT ARM	1-BVT4R

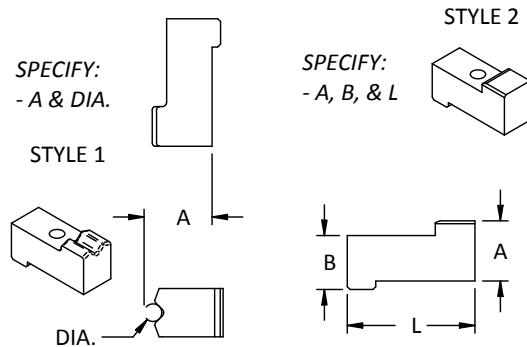
## FINGERS



Item #	Wire Range
1	8.5 - 11.5 mm
2	11.5 - 13.0 mm
3	13.0 - 15.0 mm
4	15.0 - 16.5 mm

## BVT4

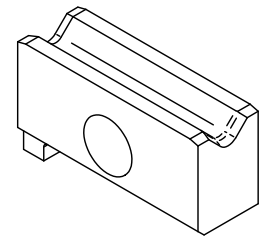
### CLAMPING PIECE



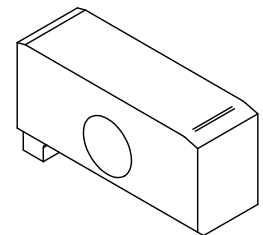
### FEEDING BLOCK

SPECIFY:  
- WIRE SIZE

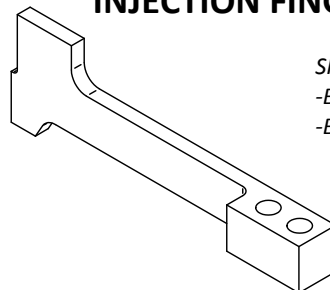
STYLE1



STYLE 2

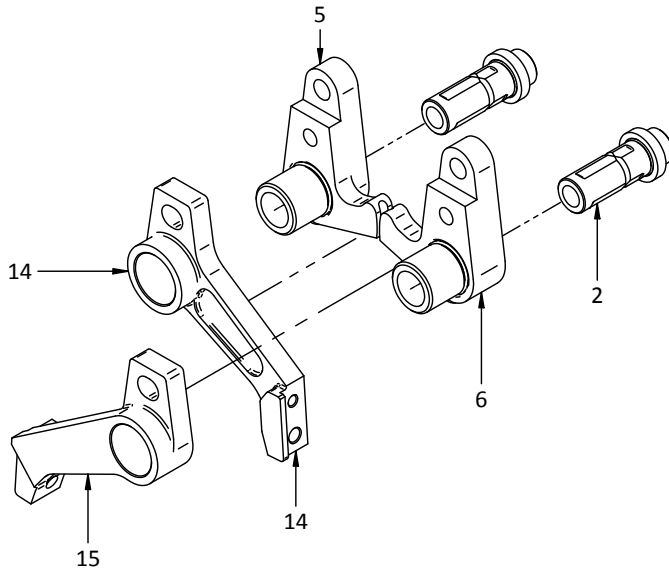


### INJECTION FINGER



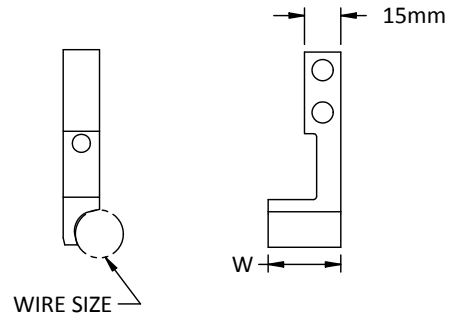
SPECIFY:  
- BOLT SIZE  
- BOLT LENGTH

## BV5, BVT5



Key #	Part #	Description
2	1-418PS	SHAFT
5	904908-8-4	ARM HOLDER - RIGHT
6	904908-7-4	ARM HOLDER - LEFT
14	1-BL4-L	TRANSFER ARM - LEFT
15	1-BL4-R	TRANSFER ARM - RIGHT

### FINGERS



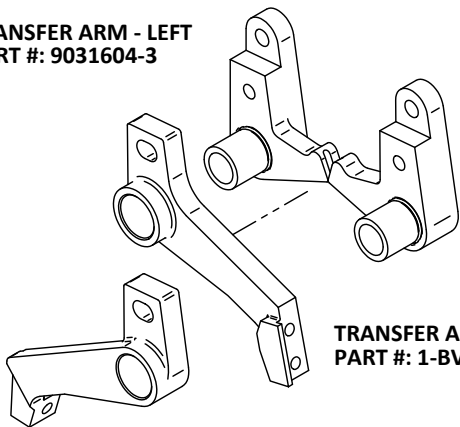
LEFT HAND SHOWN

Item #	Wire Size
1	16 mm
2	14 mm
3	12 mm
4	10 mm
5	8 mm
6	6 mm
7	5 mm

Ex. Part #: 3-651L16-3  
 1 ( for items 1 - 7 )  
 (L) Left or (R) Right Hand  
 Item #  
 W - In MM

## BV6, BVT6

TRANSFER ARM - LEFT  
PART #: 9031604-3

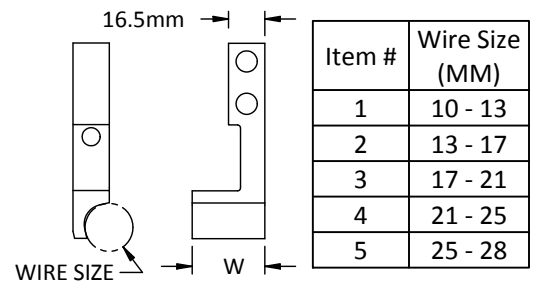


ARM HOLDER - RIGHT  
PART #: 9031603-3

TRANSFER ARM - LEFT  
PART #: 1-BV6-L

TRANSFER ARM - RIGHT  
PART #: 1-BV6-R

### FINGERS

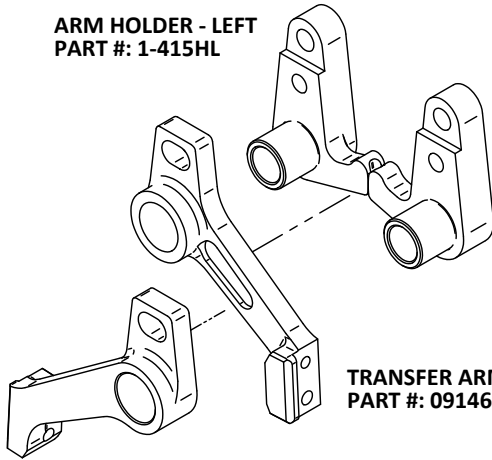


LEFT HANDSHOWN

Ex. Part #: 3-661L16-3  
 1 ( for items 1 - 3 )  
 2 ( for item 4 & 5 )  
 (L) Left or (R) Right Hand  
 Item #  
 W - In MM

## NB/NH 415, 515

ARM HOLDER - LEFT  
PART #: 1-415HL



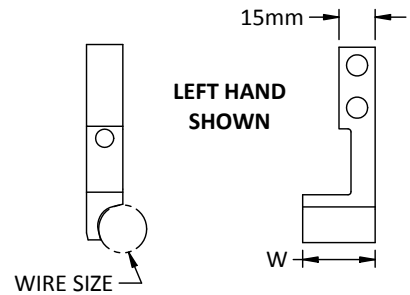
ARM HOLDER - RIGHT  
PART #: 1-415HR

TRANSFER ARM - RIGHT  
PART #: 091468-3-1

TRANSFER ARM - LEFT  
PART #: 091469-3-1

## NB/NH 418, 518, 420, 520

### FINGERS



Item #	Wire Size
1	6.5 - 8.5
2	8.0 - 10.5
3	10.0 - 12.5
4	12.0 - 15.0
5	14.5 - 17.0
6	17.5 - 20.0
7	19.5 - 22.0
8	21.5 - 24.0
9	23.5 - 26.0
10	25.5 - 28.0

Specify Part #: 3-651L16-3

1 ( for items 1 - 5 )  
2 ( for item 6 - 10 )  
(L) Left or (R) Right Hand

## NB/NH 418, 518, 420, 520

Key #	Part #	Description
1	1-418TB3	1ST STA. SLIDE BODY
2	1-418PS	SHAFT
3	9900000853	NEEDLE BEARING
4	1-418BS	BEARING SPACER
5	904908-8-4	ARM HOLDER - RIGHT
6	904908-7-4	ARM HOLDER - LEFT
9	1-bv4SW	SPACER WASHER
10	1-418C	OPENING ARM CAM
11	1-418SHT	SPRING HOLDER
12	1-418USS	UPPER SPRING SEAT
13	1-418LSS	LOWER SPRING SEAT
14	1-BL4-L	TRANSFER ARM - LEFT
15	1-BL4-R	TRANSFER ARM - RIGHT
25	1-418RL2	HOOKED ROLLER LEVER
26	1-418RLC	ROLLER LEVER CLAMP
27	1-418TWA	TAPERED WASHER - A
28	9900002008	SPRING
29	9900000907	TORSION SPRING
30	1-418AR	WASHER
33	1-418TB2	2ND STA. SLIDE BODY
34	1-418RL1	STRAIGHT ROLLER LEVER

