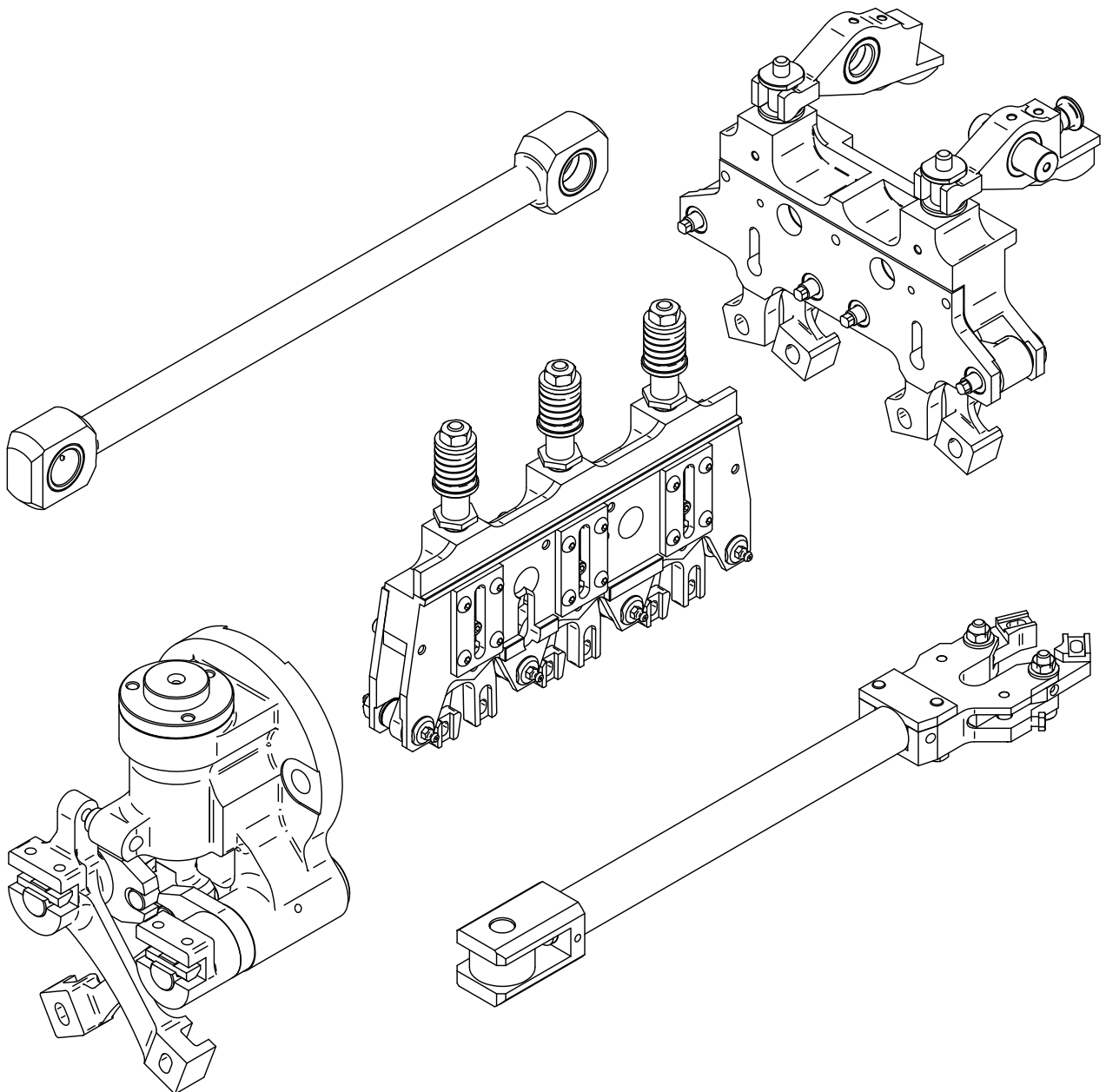


*Asahi Sunac*



# STAR METAL PRODUCTS 30405 CLEMENS RD. WESTLAKE OHIO 44145 U.S.A.

## AT

425, 440, 450	Pg 3 - 4
635, 650, 675	Pg 5 - 8
810, 855, 875	Pg 9 - 11
1010, 1013, 1075	Pg 12
1210, 1215	Pg 13 - 14

## AOT

4B, 4L, 4XL	Pg 15 - 16
6B, 6L, 6XL	Pg 17 - 18
8B, 8L, 8XL	Pg 19 - 20
10B, 10L, 10XL	Pg 21 - 22
12B, 12L, 12XL	Pg 23 - 24
16L, 16L, 16XL	Pg 25 - 26

## AOL / AOS

AOL / AOS 6-6H	Pg 27
AOL / AOS 8-8H	Pg 28 - 29
AOL / AOS 10-10H	Pg 30
OBF 130 , AF 810	Pg 31

## RH / ORH

RH 60	Pg 32 - 33
RH 80	Pg 34 - 37
RH 120	Pg 38 - 41
ORH 80	Pg 42
ORH 120	Pg 43 - 44

## AQ

AQ610, 635, 655, 675	Pg 45
AQ810, 855, 875	Pg 46 - 47
AQ1010, 1013, 1075	Pg 48

## ST / AQ

ST10	Pg 49
ST12	Pg 50
ST16, ST1615	Pg 51
AQ12	Pg 52
AQ1210, AQ1210-3	Pg 53
AQ1215, AQ1215-3, AQ1215-4	Pg 54 - 57
AQ16	Pg 58 - 60

## Please provide sample parts or prints for items not found in this catalog.

We at Star Metal Products look forward to serving you, and encourage you to review the following terms and conditions to ensure a mutually successful business transaction.

- Terms are net 30 days from shipment, F.O.B. Ourdock, Westlake, Ohio Freight Collect. All prices subject to change without notice.
- Our minimum billing is \$50.00
- Quotations are valid for 90 days unless otherwise specified.
- Star Metal Products Blanket Order Policy

### Duration :

Blanket Orders will be held for a maximum time period of six months. Any line item open six months from the date of receipt of customer order will ship automatically. Duration of blanket order may extend up to one year, only if specific release quantities and release dates are supplied with customer order.

### Releases :

Upon completion of job order, 25% of each line item (with a minimum of 1 piece) will be shipped to customer. The balance of each line item will be held for release by customer within the six month time frame.

- Cancellation will be subject to a charge for any applicable material used and labor employed for work in progress.
- Returns :  
We regret that positively no tooling may be returned without factory authorization. Returns must be made within 60 days of receiving merchandise. We will not be responsible for shipping charges incurred by customers that deviate from this policy. We reserve the right to only repair tooling accepted under these conditions.

PHONE: (440) 899-7000  
FAX : (440) 899-7171

CATALOG: 03  
PAGE 2  
2022 CATALOG

EMAIL : [sales@starmetal.com](mailto:sales@starmetal.com)  
<http://www.starmetal.com>

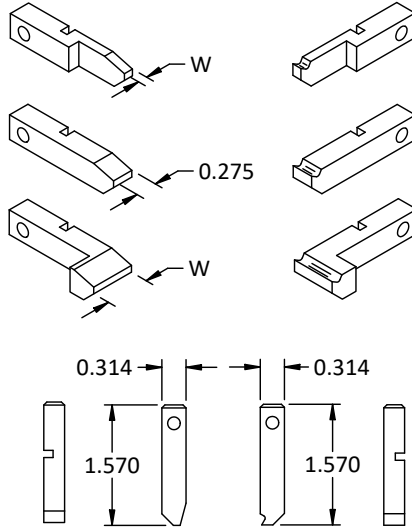
REV.230915

# AT 425, 440, & 450

## 1st & 2nd STATION FINGERS

1st Sta. LOWER  
2nd Sta. LEFT

Part #: 3-17041LL



1st Sta. UPPER  
2nd Sta. RIGHT

Part #: 3-17041UR

SPECIFY

- Part #

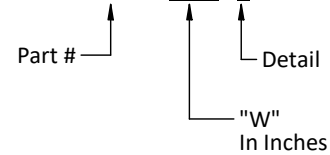
- W

- Detail

Detail	Wire Range
1	0.141 - 0.157
2	0.126 - 0.140
3	0.110 - 0.125
4	0.094 - 0.109
5	0.079 - 0.093
6	0.063 - 0.078
7	0.047 - 0.062
8	0.032 - 0.046

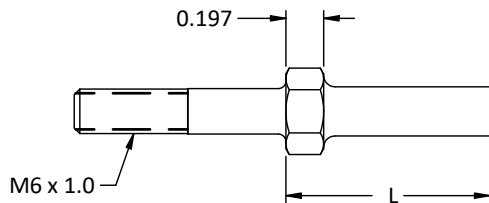
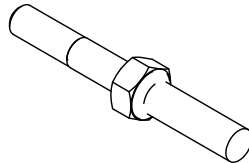
Example Part #:

3-17041LL 0276 - 4



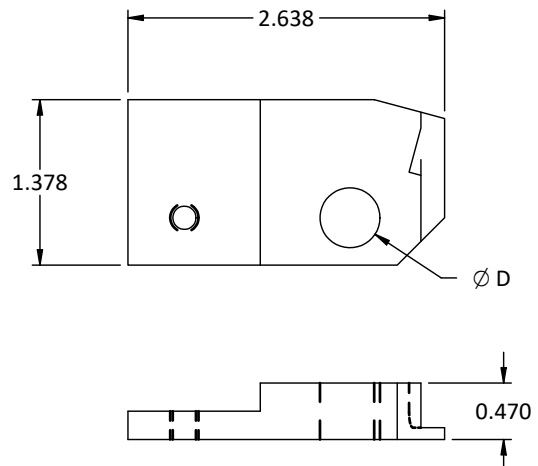
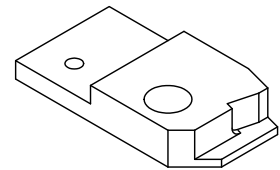
### WIRE STOP

PART #: 3-1942S  
Specify "L"



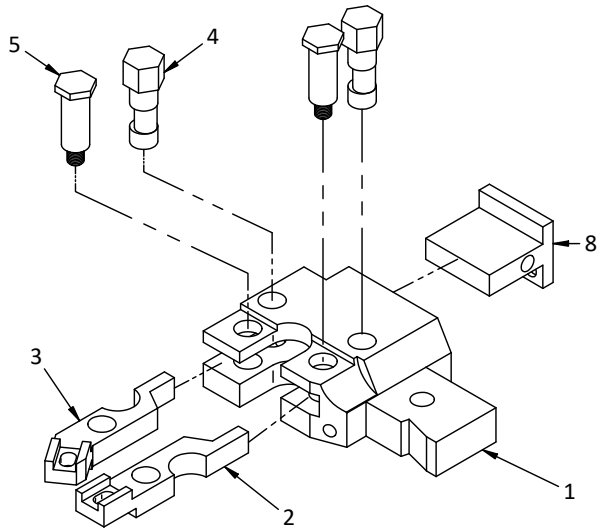
### CUTTER HOLDER

PART #: 3-2240  
Specify "D"



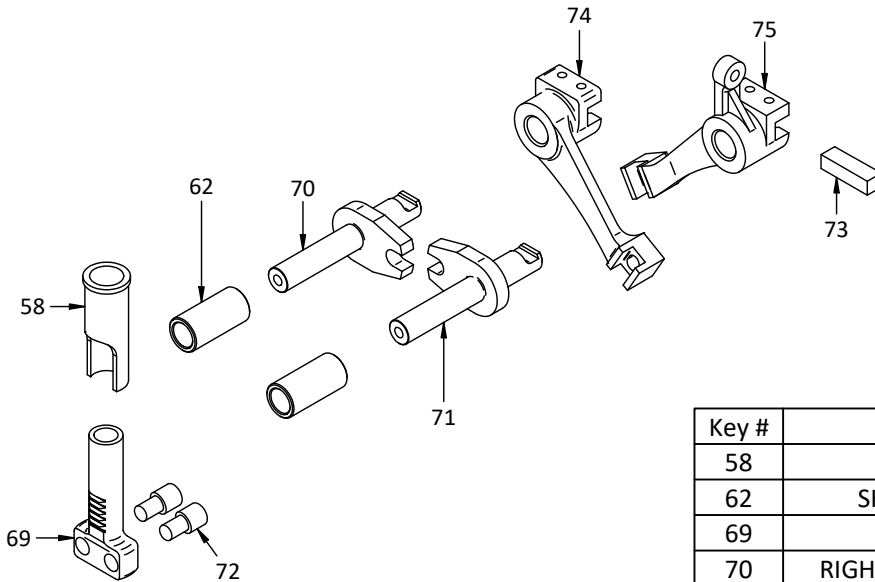
# AT 425, 440, & 450

## 1st STATION TRANSFER HEAD



Key #	Description	Part #
1	TRANSFER HEAD	3-1942TH
2	LOWER FINGER HOLDER	3-1942FL
3	UPPER FINGER HOLDER	3-1942FU
4	CAM LOCK	3-1942CL
5	SHOULDER BOLT	3-1942SB
8	SPRING HOLDER	3-1942SH

## 2nd STATION TRANSFER HEAD



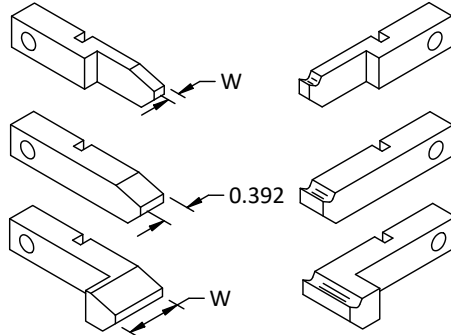
Key #	Description	Part #
58	BUSHING	3-1942B
62	SHAFT BUSHING	3-1942HB
69	RACK	3-1942R
70	RIGHT SUPPORT SHAFT	3-1942SSR
71	LEFT SUPPORT SHAFT	3-1942SSL
72	RACK PIN	3-1942RP
73	ARM KEY	3-1942AK
74	RIGHT TRANSFER ARM	3-1942AR
75	LEFT TRANSFER ARM	3-1942AL

# AT 635, 650, & 675

## 1st & 2nd STATION FINGERS

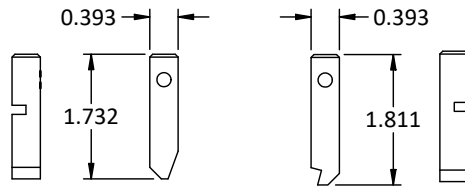
1st Sta. LOWER  
2nd Sta. LEFT

Part #: 3-1960LL



1st Sta. UPPER  
2nd Sta. RIGHT

Part #: 3-1960UR



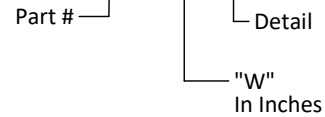
SPECIFY

- Part #
- W
- Detail

Detail	Wire Range
1	0.219 - 0.236
2	0.188 - 0.218
3	0.157 - 0.187
4	0.126 - 0.156
5	0.094 - 0.125
6	0.063 - 0.093
7	0.237 - 0.250

Example Part #:

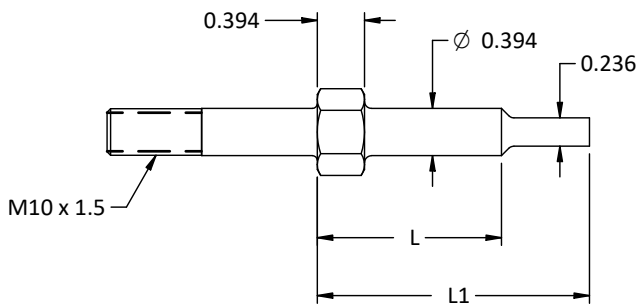
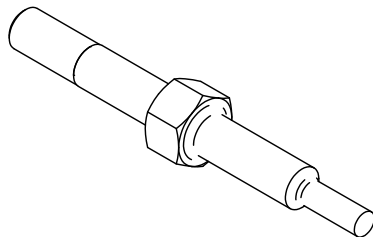
**3-1960LL 0276 - 4**



## WIRE STOP

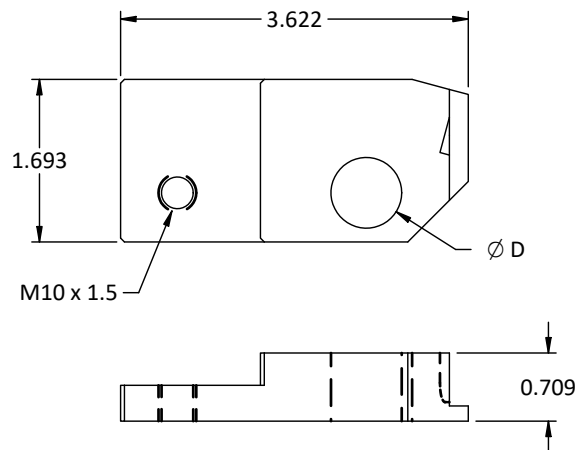
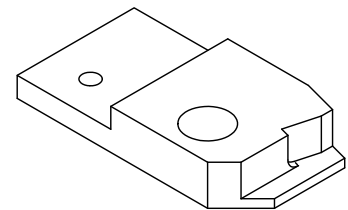
PART #: 3-1960S  
Specify "L"

When cutoff length is under 1.18 specify "L1"



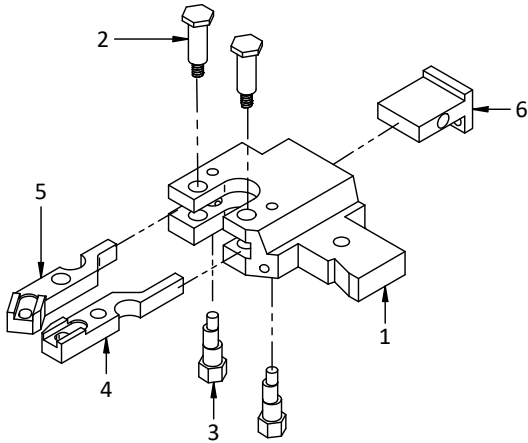
## CUTTER HOLDER

PART #: 3-2265  
Specify "D"



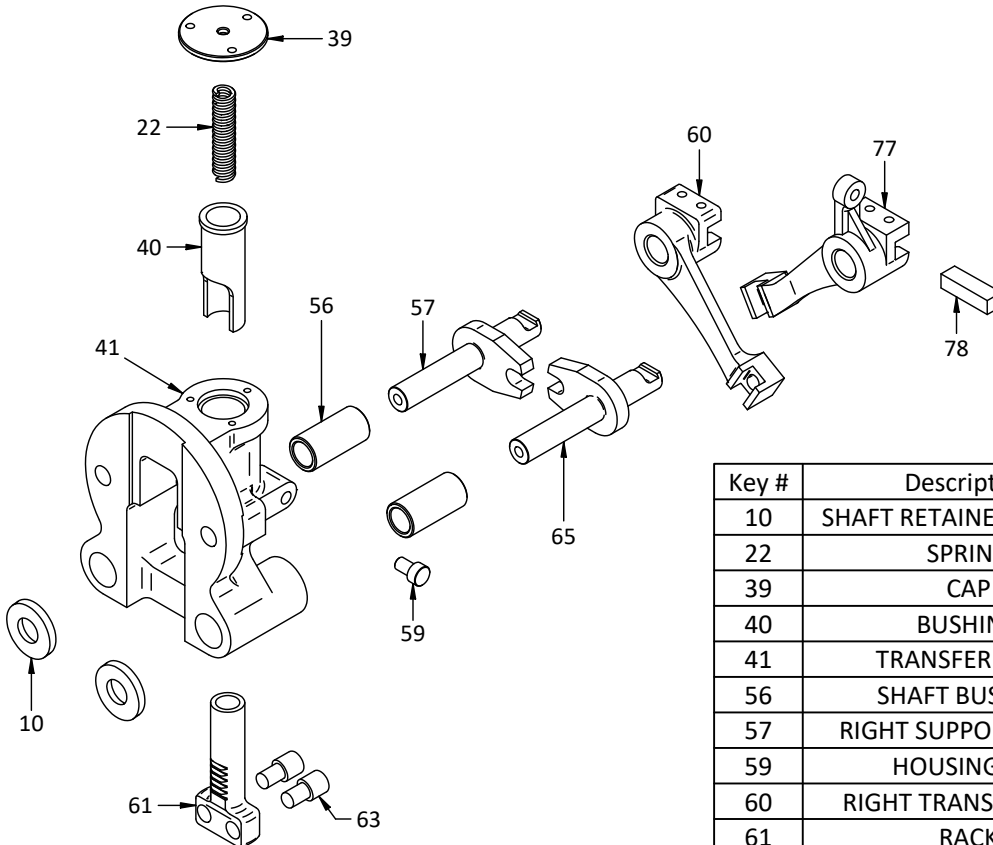
## AT 635, 650, & 675

### 1st STATION TRANSFER HEAD



Key #	Description	Part #
1	TRANSFER HEAD	3-1960TH
2	SHOULDER BOLT	3-1960SB
3	CAM LOCK	3-1960CL
4	LOWER FINGER HOLDER	3-1960FL
5	UPPER FINGER HOLDER	3-1960FU
6	SPRING HOLDER	3-1960SH

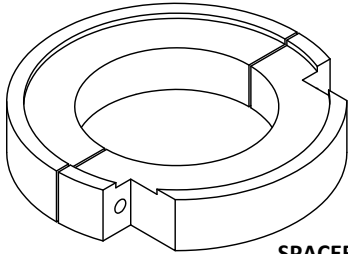
### 2nd STATION TRANSFER HEAD



Key #	Description	Part #
10	SHAFT RETAINER WASHER	3-1960SSW
22	SPRING	9900000194
39	CAP	3-1960C
40	BUSHING	3-1960B
41	TRANSFER HEAD	3-1960H01
56	SHAFT BUSHING	3-1960HB
57	RIGHT SUPPORT SHAFT	3-875SSR
59	HOUSING PIN	3-1960HP
60	RIGHT TRANSFER ARM	3-1960AR
61	RACK	3-1960R
63	RACK PIN	3-1960RP
65	LEFT SUPPORT SHAFT	3-875SSL
77	LEFT TRANSFER ARM	3-1960AL
78	ARM KEY	3-1960AK

**AT 6**

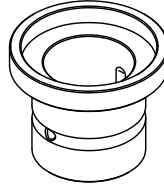
**FIGURE 3**



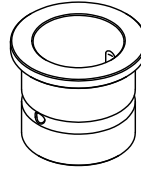
SPACER  
PART #: 0306082P0305A

**FIGURE 4**

BUSHING  
PART #: 0306082P0504A



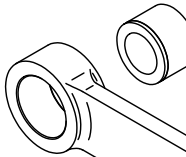
BUSHING  
PART #: 0306082P0506A



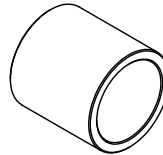
PIN  
PART #: 0306081P0513A

**FIGURE 5**

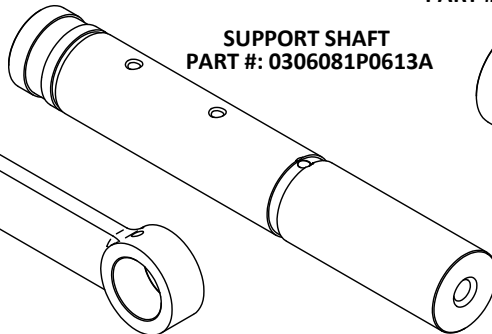
BUSHING  
PART #: 0306081P0535A



BUSHING  
PART #: 0306081P0614A



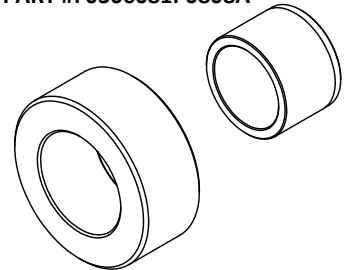
SUPPORT SHAFT  
PART #: 0306081P0613A



CONNECTING ROD  
PART #: 0306081P0609A

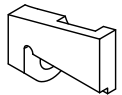
**FIGURE 7**

BUSHING  
PART #: 0306081P0808A



CUTTER ROLLER  
PART #: 0306081P0809A

COTTER BOLT  
PART #: 0306081P0813A



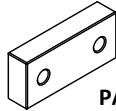
COTTER  
PART #: 0306081P0810A

**FIGURE 8**

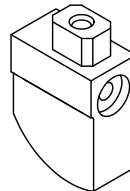
WASHER  
PART #: 0306082P1420A



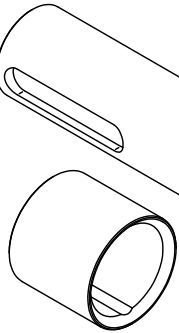
FIXING PLATE  
PART #: 0306081P1428A



TONGUE  
PART #: 0306081P1416A



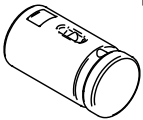
BUSHING  
PART #: 0306082P1432B



FEED SHAFT  
PART #: 0306082P0634A

**FIGURE 9**

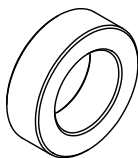
ROLLER PIN  
PART #: 0306081P1012A



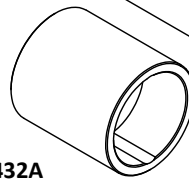
ROLLER BUSHING  
PART #: 0306081P0920A



ROLLER  
PART #: 0306081P1011A

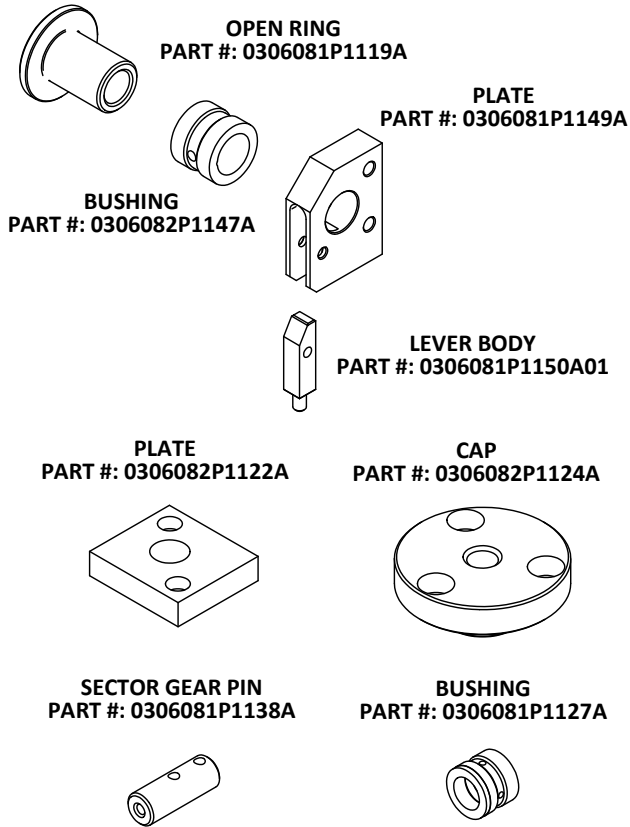


BUSHING  
PART #: 0306082P1432A

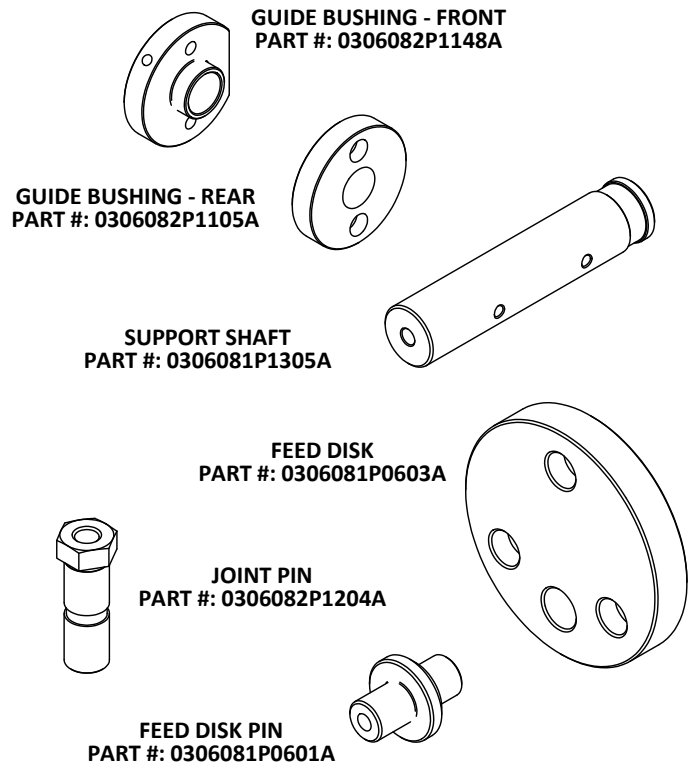


**AT 6**

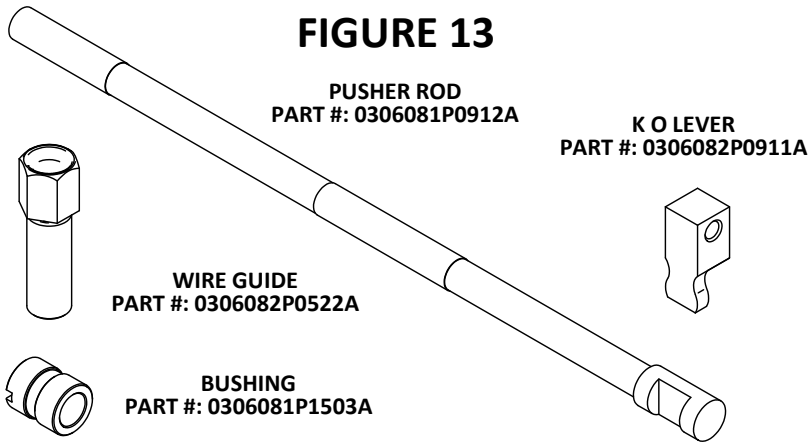
**FIGURE 10**



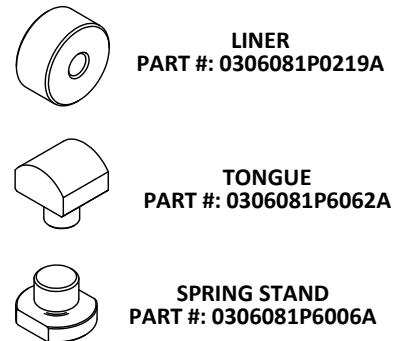
**FIGURE 11**



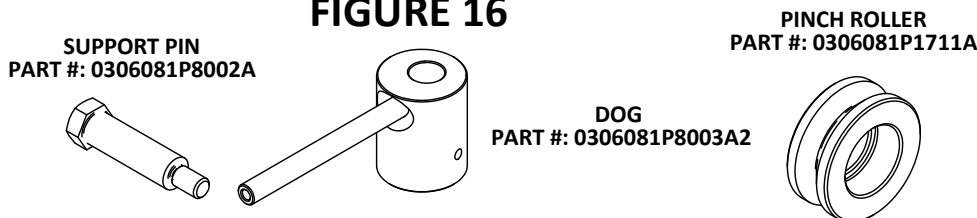
**FIGURE 13**



**FIGURE 14**



**FIGURE 16**



**FIGURE 18**

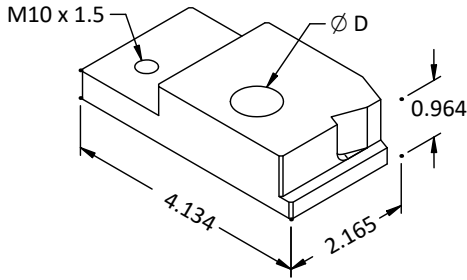




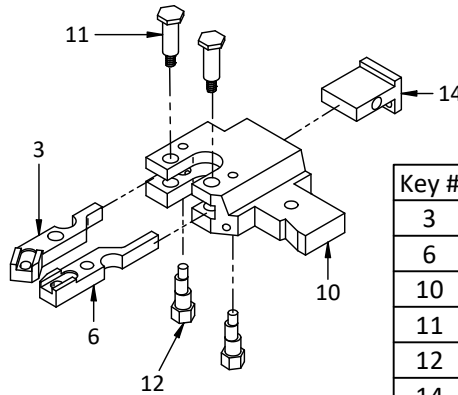
# AT 810, 855, & 875

## CUTTER HOLDER

PART #: 3-2285  
Specify "D"



## 1st STATION TRANSFER HEAD

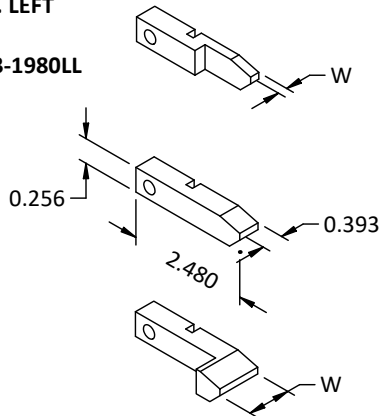


Key #	Description	Part #
3	UPPER HOLDER	3-1980FU
6	LOWER HOLDER	3-1960FL
10	TRANSFER HEAD	3-1960TH
11	SHOULDER BOLT	3-1960SB
12	CAM LOCK	3-1960CL
14	SPRING HOLDER	3-1960SH

## 1st & 2nd STATION FINGERS

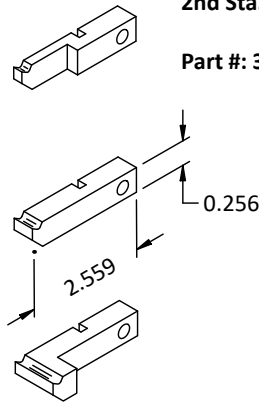
1st Sta. LOWER  
2nd Sta. LEFT

Part #: 3-1980LL



1st Sta. UPPER  
2nd Sta. RIGHT

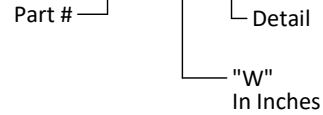
Part #: 3-1980UR



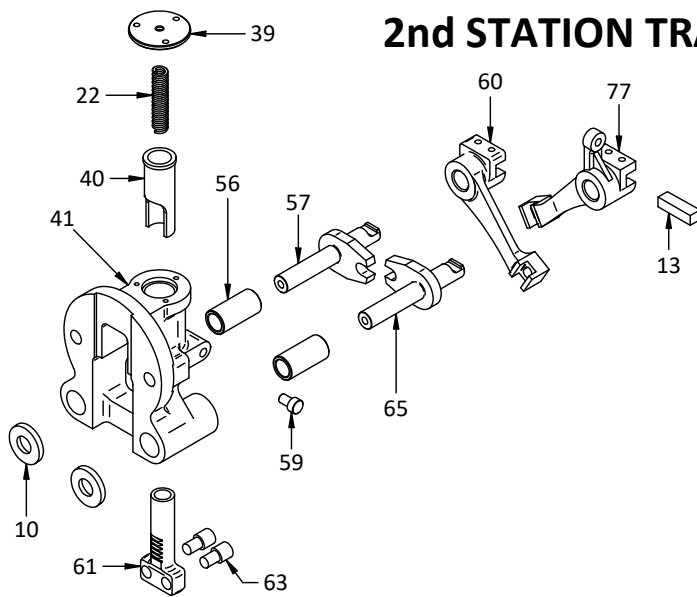
Detail #	Wire Range
1	0.282 - 0.315
2	0.251 - 0.281
3	0.219 - 0.250
4	0.188 - 0.218
5	0.157 - 0.187
6	0.126 - 0.156
7	0.094 - 0.125

SPECIFY  
- Part #  
- W  
- Detail

Example Part #:  
3-1980LL 0276 - 4



## 2nd STATION TRANSFER HEAD

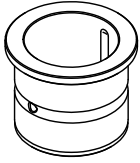


Key #	Description	Part #
10	SHAFT RETAINER WASHER	3-1960SSW
13	ARM KEY	3-1960AK
22	SPRING	9900000194
39	CAP	3-1960C
40	BUSHING	3-1960B
41	TRANSFER HEAD	3-1960H01
56	SHAFT BUSHING	3-1960HB
57	RIGHT SUPPORT SHAFT	3-875SSR
59	HOUSING PIN	3-1960HP
60	RIGHT TRANSFER ARM	3-1980AR
61	RACK	3-1960R
63	RACK PIN	3-1960RP
65	LEFT SUPPORT SHAFT	3-875SSL
77	LEFT TRANSFER ARM	3-1980AL

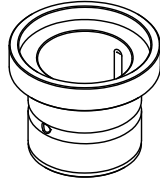
**AT 8**

**FIGURE 4**

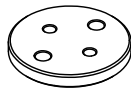
**BUSHING**  
PART #: 0306082P0506B



**BUSHING**  
PART #: 0306082P0504C



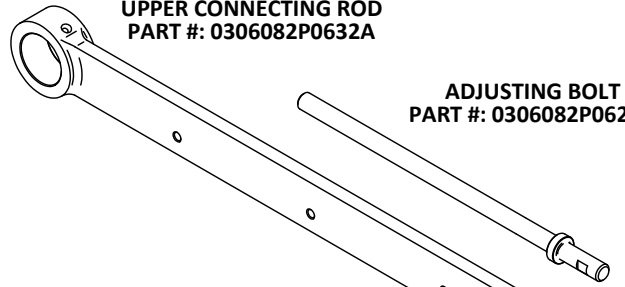
**FEED ROLL PLATE**  
PART #: 0306082P029A



**FEED ROLL WASHER**  
PART #: 0306082P028A

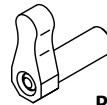
**FIGURE 5**

**UPPER CONNECTING ROD**  
PART #: 0306082P0632A



**ADJUSTING BOLT**  
PART #: 0306082P0628A

**CONNECTING ROD**  
PART #: 0306082P0609A

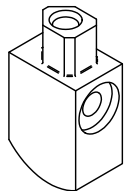


**LEVER PIN**  
PART #: 0306082P0620A

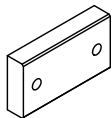
**FIGURE 8**

**FEED SHAFT**  
PART #: 0306082P0634B

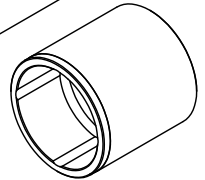
**TONGUE**  
PART #: 0306082P1416A



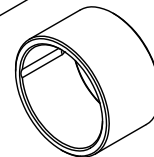
**FIXING PLATE**  
PART #: 0306082P1428A



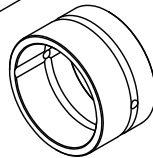
**BUSHING**  
PART #: 0306082P1432C



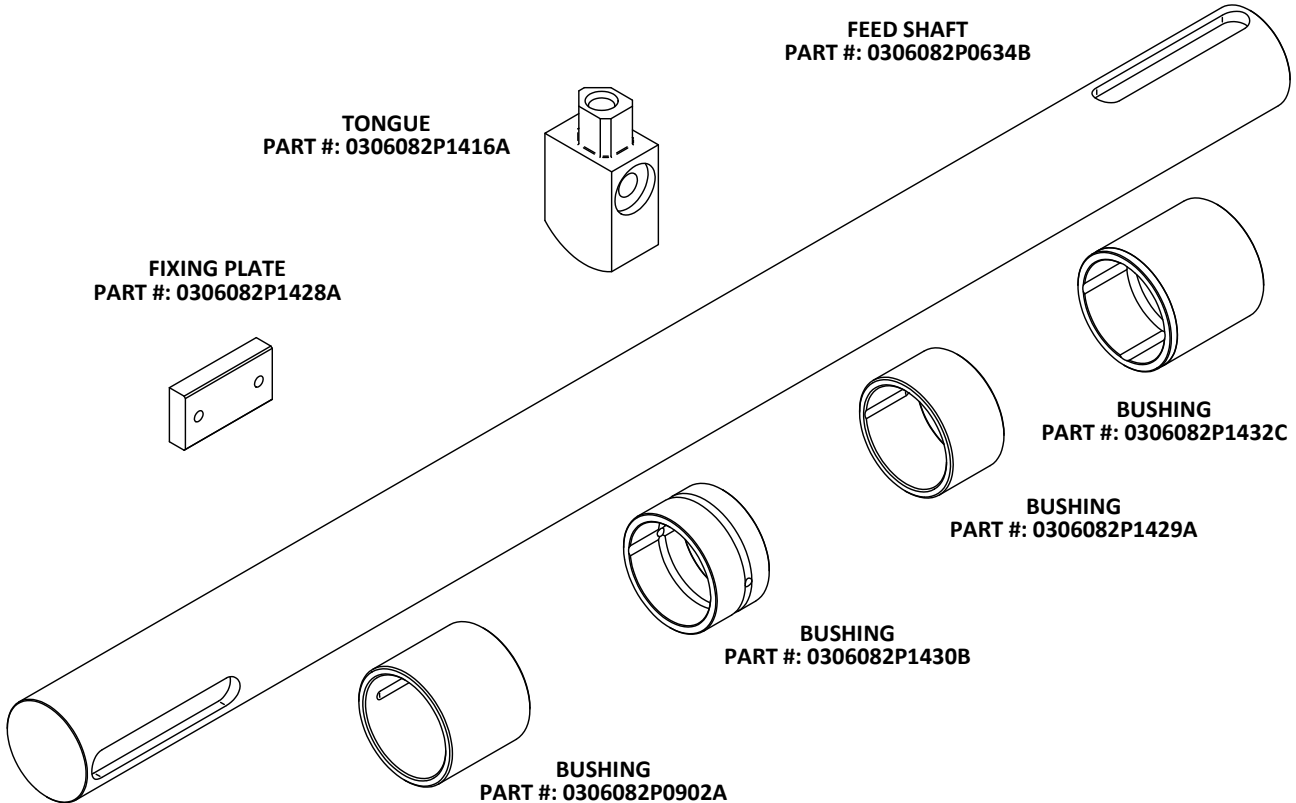
**BUSHING**  
PART #: 0306082P1429A



**BUSHING**  
PART #: 0306082P1430B

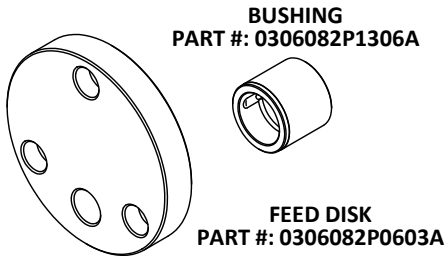


**BUSHING**  
PART #: 0306082P0902A



**AT 8**

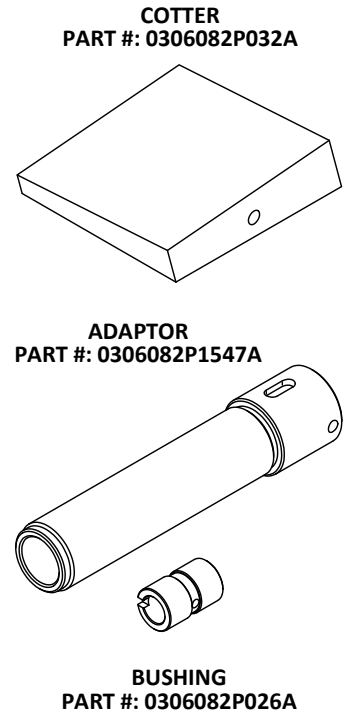
**FIGURE 11**



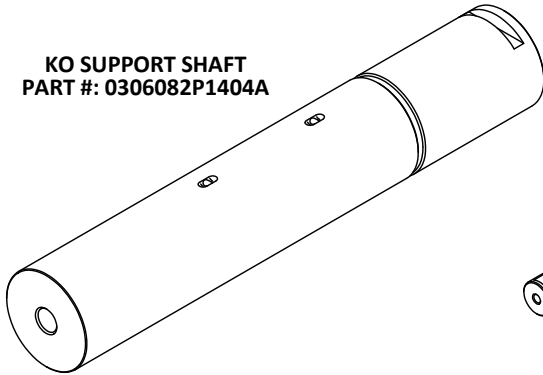
**FIGURE 12**



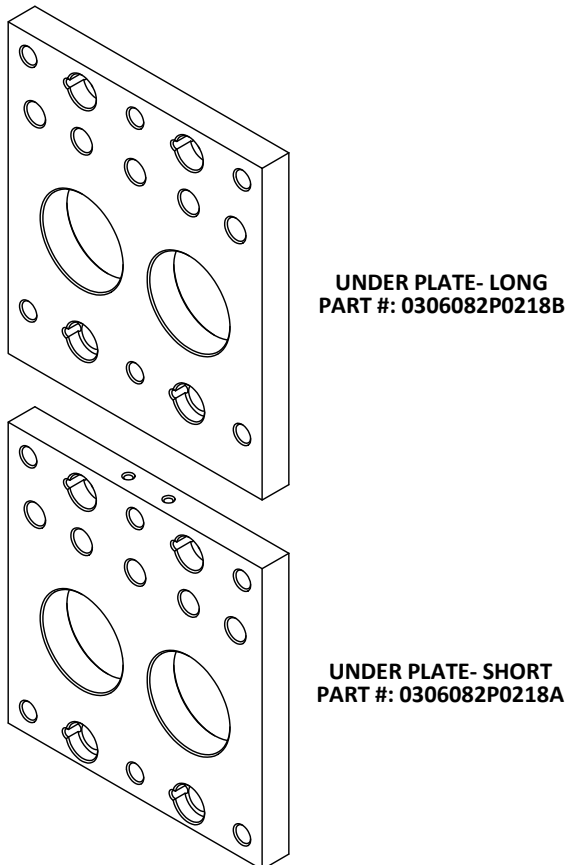
**FIGURE 13**



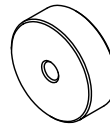
KO SUPPORT SHAFT  
PART #: 0306082P1404A



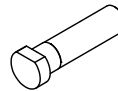
**FIGURE 14**



LINER  
PART #: 0306082P0219A



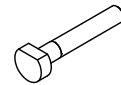
ROCK BOLT  
PART #: 0306081P0222A



PUNCH HOUSING ADJ BOLT  
PART #: 0306082P1533A



ROCK BOLT  
PART #: 0306081P0215A



**FIGURE 15**



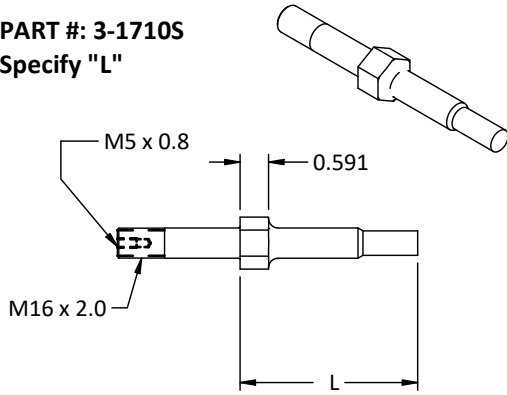
**FIGURE 16**



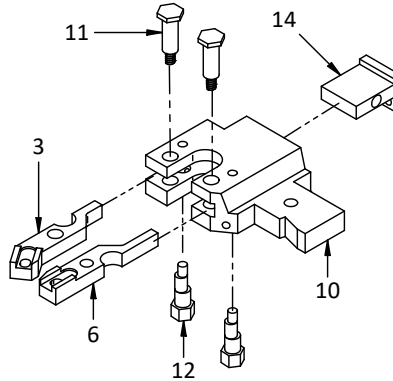
# AT 1010, 1013, & 1075

## WIRE STOP

**PART #: 3-1710S**  
Specify "L"



## 1st STATION TRANSFER HEAD

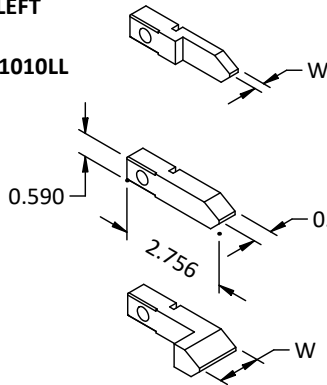


Key #	Description	Part #
3	UPPER HOLDER	3-1910FU
6	LOWER HOLDER	3-1910FL
10	TRANSFER HEAD	3-1910TH
11	SHOULDER BOLT	3-1910SB
12	CAM LOCK	3-1910CL
14	SPRING HOLDER	3-1910SH

## 1st & 2nd STATION FINGERS

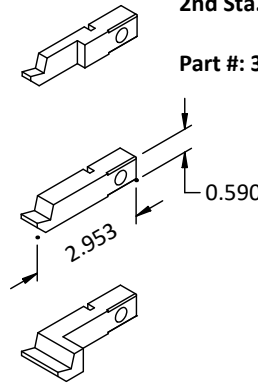
1st Sta. LOWER  
2nd Sta. LEFT

Part #: 3-1010LL



1st Sta. UPPER  
2nd Sta. RIGHT

Part #: 3-1010UR



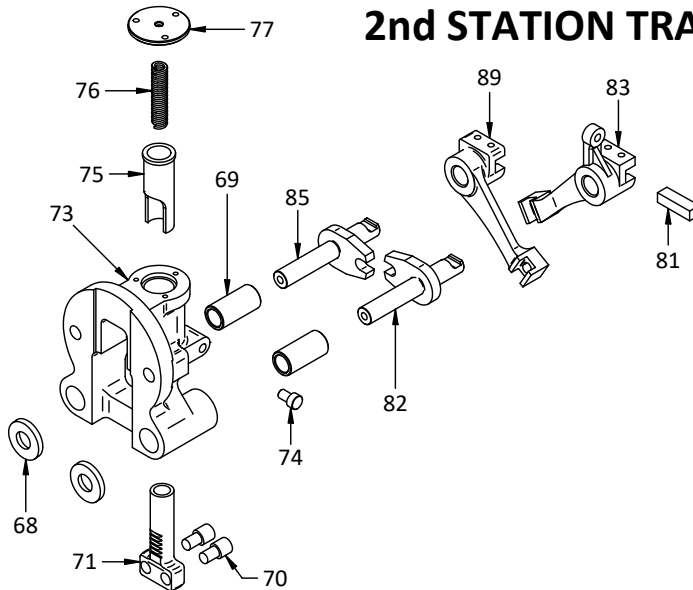
*SPECIFY*  
- Part #  
- W  
- Detail

Example Part #:  
**3-1010LL 0276 - 4**

Part #      Detail  
"W"  
In Inches

Detail	Wire Range
1	0.531 - 0.551
2	0.500 - 0.530
3	0.473 - 0.499
4	0.438 - 0.472
5	0.407 - 0.437
6	0.376 - 0.406
7	0.344 - 0.375
8	0.313 - 0.343
9	0.282 - 0.312
10	0.251 - 0.281
11	0.219 - 0.250

## 2nd STATION TRANSFER HEAD

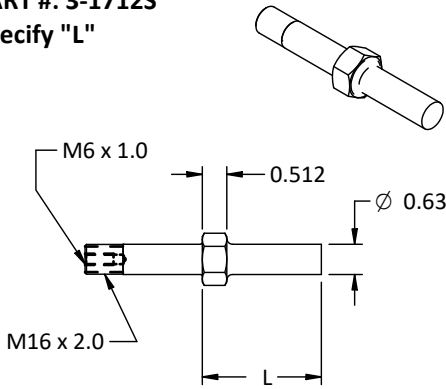


Key #	Description	Part #
59	SHAFT BUSHING	3-1910HB
68	RETAINER WASHER	3-1910SSW
70	RACK PIN	3-1912RP
71	RACK	3-1912R
73	TRANSFER HEAD	3-1910H
74	HOUSING PIN	3-1910HP
75	BUSHING	3-1910B
76	SPRING	3-1910S
77	CAP	3-1910C
81	ARM KEY	3-1910AK
82	LEFT SUPPORT SHAFT	3-1912SSL
83	LEFT TRANSFER ARM	3-1910AL
85	RIGHT SUPPORT SHAFT	3-1912SSR
89	RIGHT TRANSFER ARM	3-1910AR

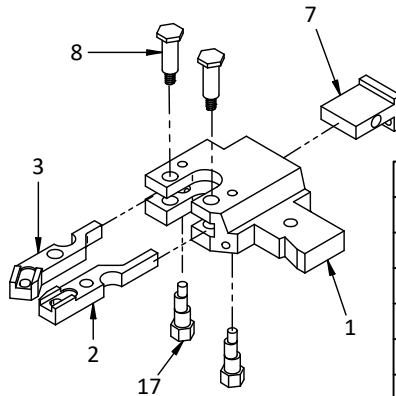
# AT 1210 & 1215

## WIRE STOP

**PART #: 3-1712S**  
Specify "L"



## 1st STATION TRANSFER HEAD

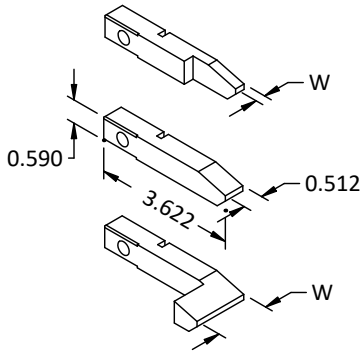


Key #	Description	Part #
1	HEAD	3-1912TH
2	LOWER HOLDER	3-1912FL
3	UPPER HOLDER	3-1912FU
7	SPRING HOLDER	3-1912SH
8	SHOULDER BOLT	3-1912SB
17	CAM LOCK	3-1912CL

## 1st & 2nd STATION FINGERS

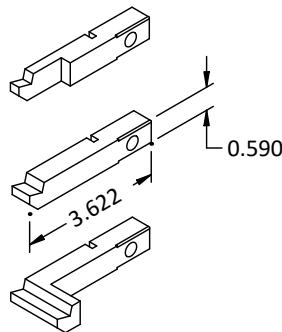
1st Sta. LOWER  
2nd Sta. LEFT

Part #: 3-1210LL



1st Sta. UPPER  
2nd Sta. RIGHT

Part #: 3-1210UR



SPECIFY

- Part #

- W

- Detail

Example Part #:

3-1201LL 0276 - A

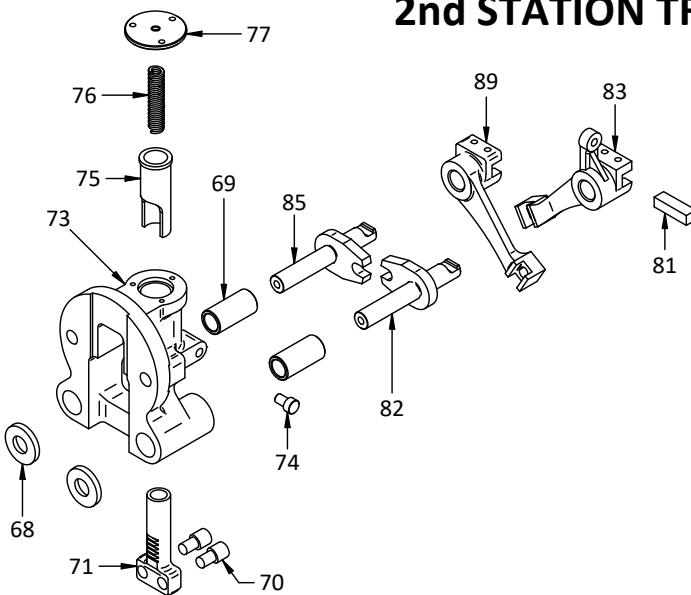
Part #

Detail

"W"  
In Inches

Detail	Wire Range
A	0.531 - 0.551
B	0.500 - 0.530
C	0.473 - 0.499
D	0.438 - 0.472
E	0.407 - 0.437
F	0.376 - 0.406
G	0.344 - 0.375
H	0.313 - 0.343
I	0.282 - 0.312
J	0.251 - 0.281
K	0.219 - 0.250

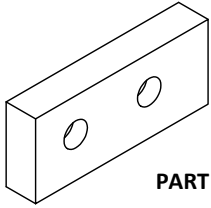
## 2nd STATION TRANSFER HEAD



Key #	Description	Part #
68	SHAFT RETAINER WASHER	3-1910SSW
69	SHAFT BUSHING	3-1910HB
70	RACK PIN	3-1912RP
71	RACK	3-1912R
73	TRANSFER HEAD	3-1910H
74	HOUSING PIN	3-1910HP
75	BUSHING	3-1910B
76	SPRING	3-1910S
77	CAP	3-1910C
81	ARM KEY	3-1910AK
82	LEFT SUPPORT SHAFT	3-1912SSL
83	LEFT TRANSFER ARM	3-1912AL
85	RIGHT SUPPORT SHAFT	3-1912SSR
89	RIGHT TRANSFER ARM	3-1912AR

**AT 12**

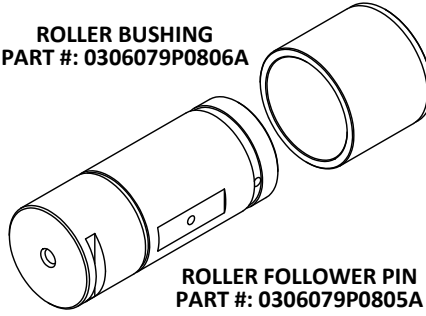
**FIGURE 1**



**LINER**  
PART #: 0306079P1130A

**FIGURE 7**

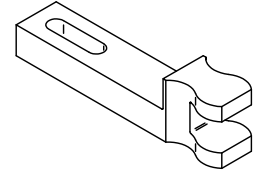
**ROLLER BUSHING**  
PART #: 0306079P0806A



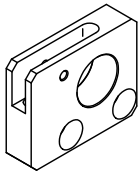
**ROLLER FOLLOWER PIN**  
PART #: 0306079P0805A

**FIGURE 8**

**PUSHER LEVER**  
PART #: 0306079P0914A

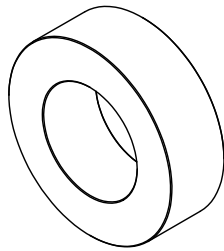


**FIGURE 10**



**PLATE**  
PART #: 0306079P1152A

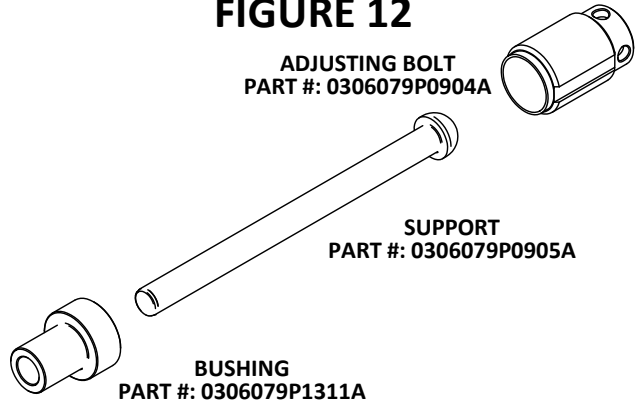
**FIGURE 11**



**ROLLER**  
PART #: 0306079P1008A

**FIGURE 12**

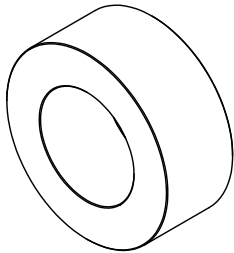
**ADJUSTING BOLT**  
PART #: 0306079P0904A



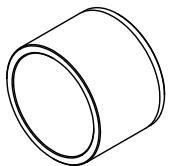
**SUPPORT**  
PART #: 0306079P0905A

**BUSHING**  
PART #: 0306079P1311A

**FIGURE 13B**



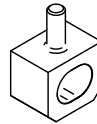
**ROLLER**  
PART #: 0306079P1412A



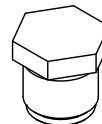
**ROLLER BUSHING**  
PART #: 0306079P1414A

**FIGURE 15**

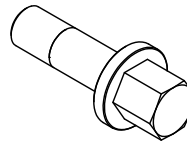
**PUNCH BLOCK ADJUSTING BOLT**  
PART #: 0306079P1533B



**ATTACK PIECE**  
PART #: 0306079P6005A



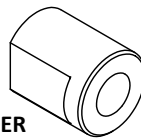
**FLANGE BOLT**  
PART #: 0306079P1549A



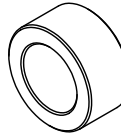
**ATTACK PIECE**  
PART #: 0306079P6008A



**GUIDE BLOCK FOR PUNCH HOLDER**  
PART #: 0306079P1538A



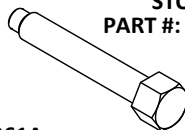
**ROLLER**  
PART #: 0306079P0916A



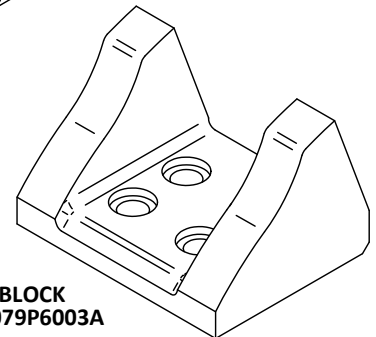
**ADJUST BOLT**  
PART #: 0306079P6061A



**STOPPER BOLT**  
PART #: 0306079P1552A



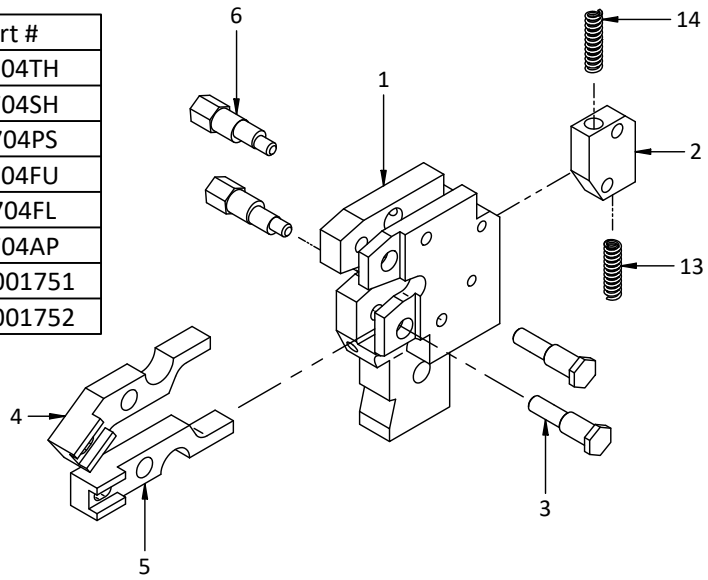
**PKO CAM BLOCK**  
PART #: 0306079P6003A



# AOT 4B, 4L, 4 XL

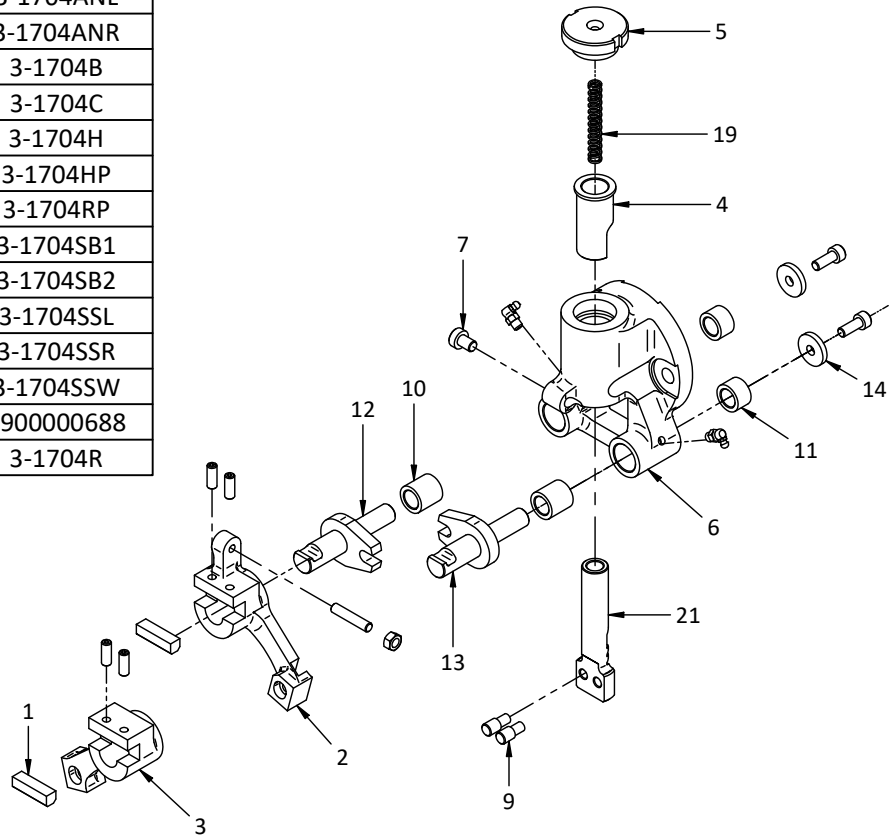
## 1st STATION TRANSFER HEAD

Key #	Description	Part #
1	TRANSFER HEAD	3-1704TH
2	SPRING HOLDER	3-1704SH
3	PIVOT SCREW	3-1704PS
4	UPPER FINGER HOLDER	3-1704FU
5	LOWER FINGER HOLDER	3-1704FL
6	ADJUSTING PIN	3-1704AP
13	SPRING	9900001751
14	SPRING	9900001752



## NEW STYLE 2nd STATION TRANSFER HEAD

Key #	Description	Part #
1	KEY	3-1704AK
2	LEFT TRANSFER ARM	3-1704ANL
3	RIGHT TRANSFER ARM	3-1704ANR
4	BUSHING	3-1704B
5	CAP	3-1704C
6	TRANSFER HEAD	3-1704H
7	TRANSFER HEAD PIN	3-1704HP
9	RACK PIN	3-1704RP
10	LONG BUSHING	3-1704SB1
11	SHORT BUSHING	3-1704SB2
12	LEFT SUPPORT SHAFT	3-1704SSL
13	RIGHT SUPPORT SHAFT	3-1704SSR
14	WASHER	3-1704SSW
19	SPRING	9900000688
21	RACK	3-1704R



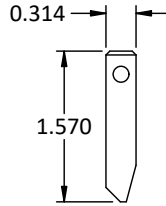
# AOT 4B, 4L, 4 XL

## 1st STATION FINGERS

Detail	Wire Range
1	0.141 / 0.157
2	0.126 / 0.140
3	0.110 / 0.125
4	0.094 / 0.109
5	0.079 / 0.093
6	0.063 / 0.078
7	0.047 / 0.062
8	0.032 / 0.046
9	0.164 / 0.157

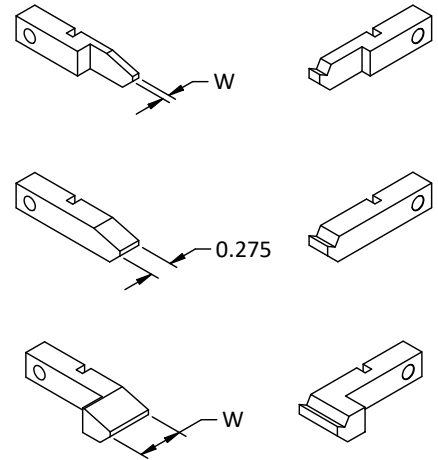
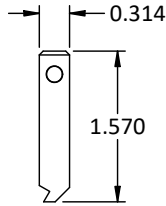
LOWER FINGER

Part #: 3-17041L



UPPER FINGER

Part #: 3-17041U



Example Part:  
3-17041U 0312 - 2

Part #      ↑      ↑      ↑  
W - Width of Nose      Detail  
In Inches

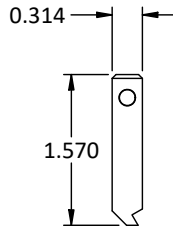
SPECIFY  
- Part #  
- W  
- Detail

## 2nd STATION FINGERS

Detail	Wire Range
1	0.141 / 0.157
2	0.126 / 0.140
3	0.110 / 0.125
4	0.094 / 0.109
5	0.079 / 0.093
6	0.063 / 0.078
7	0.047 / 0.062
8	0.032 / 0.046
9	0.164 / 0.157

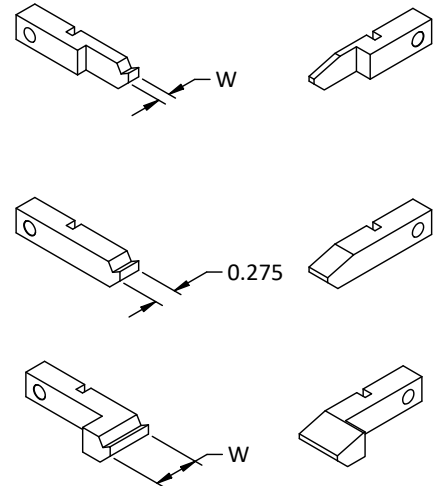
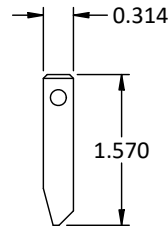
LEFT FINGER

Part #: 3-17042L



RIGHT FINGER

Part #: 3-17042R



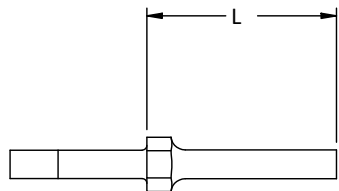
Example Part #:  
3-17042L 0312 - 2

Part #      ↑      ↑      ↑  
W - Width of Nose      Detail  
In Inches

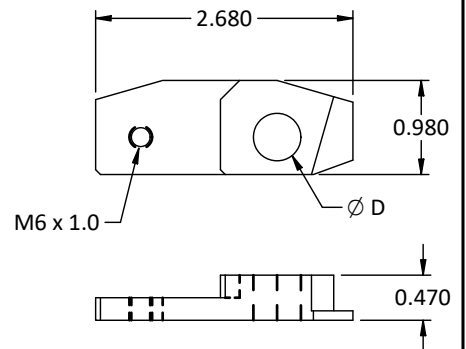
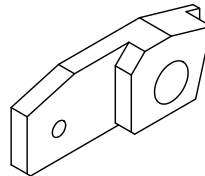
SPECIFY  
- Part #  
- W  
- Detail

## WIRE STOP

PART #: 3-2204S  
Specify "L"



## CUTTER HOLDER

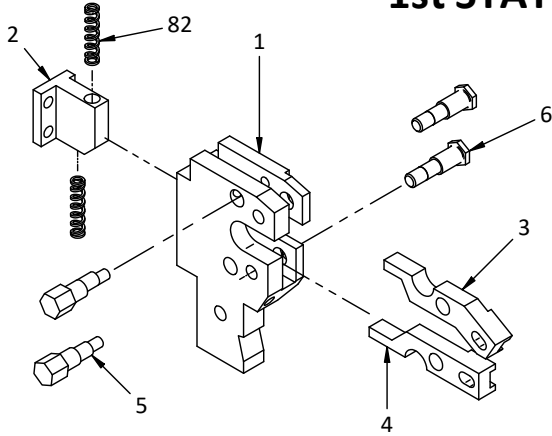


PART #: 3-2204  
Specify "Ø D"



## AOT 6B, 6L, 6XL

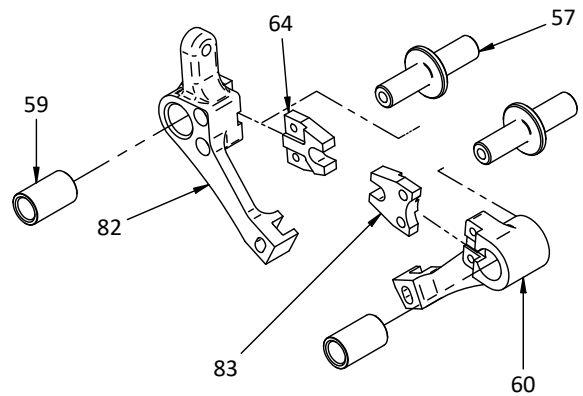
### 1st STATION TRANSFER HEAD



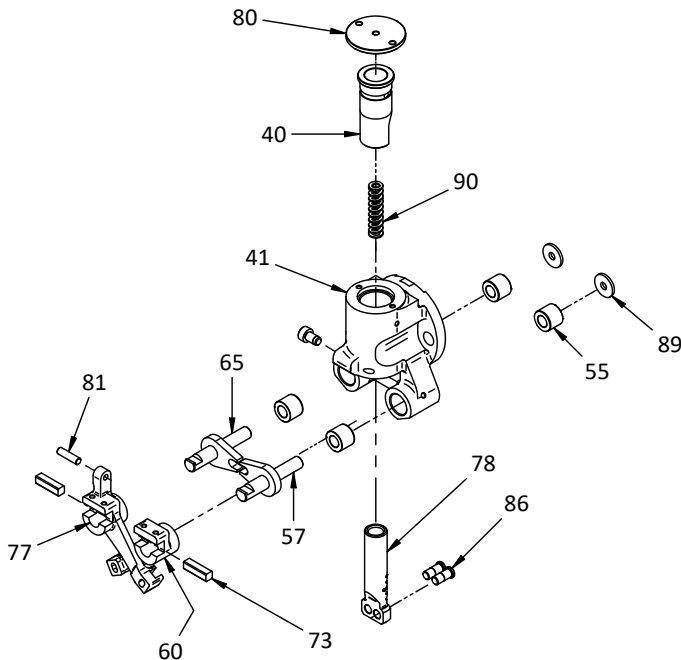
Key #	Part #	Description
1	3-1706TH	TRANSFER HEAD
2	3-1706SH	BLOCK
3	3-1706FU	UPPER FINGER HOLDER
4	3-1706FL	LOWER FINGER HOLDER
5	3-1706AP	ADJUSTING PIN
6	3-1706PS	PIVOT PIN
82	3053C9049002	SPRING

### OLD STYLE 2nd STATION TRANSFER HEAD

Key #	Part #	Description
57	3-1706SSO	SUPPORT SHAFT
82	3-1706AL	LEFT TRANSFER ARM
60	3-1706AR	RIGHT TRANSFER ARM
64	3-1706WLO	WEDGE - LEFT
83	3-1706WRO	WEDGE - RIGHT
59	3-1706AB	BUSHING



### NEW STYLE 2nd STATION TRANSFER HEAD



Key #	Part #	Description
40	3-1706B	BUSHING
41	3-1706H	TRANSFER HEAD
55	3-1706SB1	BUSHING
57	3-1706SSR	RIGHT SUPPORT SHAFT
60	3-1706ANR	ARM
65	3-1706SSL	LEFT SUPPORT SHAFT
73	3-1706AK	KEY
77	3-1706ANL	ARM
78	3-1706R	GEAR
80	3-1960C	CAP
81	9125AM561	SET SCREW - SOCKET
86	3-1706RP	PIN
89	3-1706SSW	WASHER
90	3053A8004021	SPRING

# AOT 6B, 6L, 6XL

## 1st STATION FINGERS

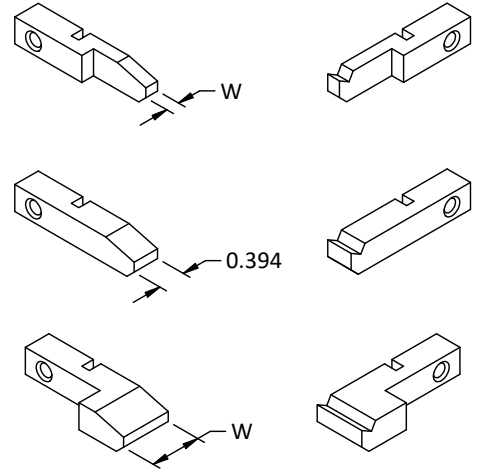
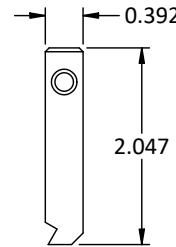
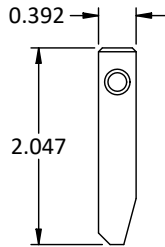
Detail	Wire Range
1	0.219 / 0.236
2	0.188 / 0.218
3	0.157 / 0.187
4	0.126 / 0.156
5	0.094 / 0.125
6	0.063 / 0.093

LOWER FINGER

UPPER FINGER

Part #: 3-17061L

Part #: 3-17061U

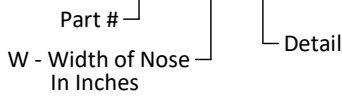


SPECIFY

- Part #
- W
- Detail

Example Part:

**3-17061U 0312 - 2**



## 2nd STATION FINGERS

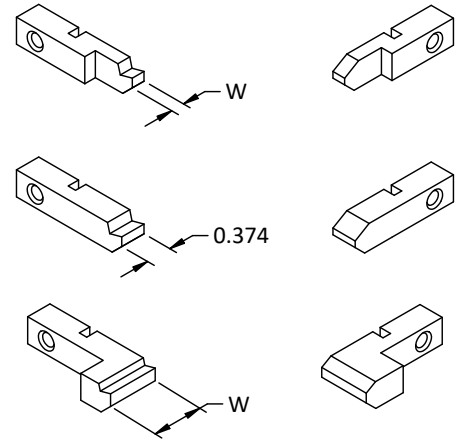
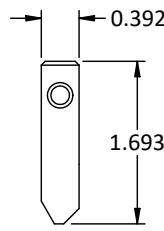
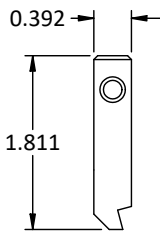
Detail	Wire Range
1	0.219 / 0.236
2	0.188 / 0.218
3	0.157 / 0.187
4	0.126 / 0.156
5	0.094 / 0.125
6	0.063 / 0.093
7	0.251 / 0.307

LEFT FINGER

RIGHT FINGER

Part #: 3-17062L

Part #: 3-17062R

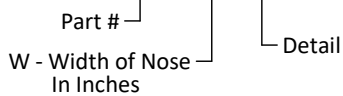


SPECIFY

- Part #
- W
- Detail

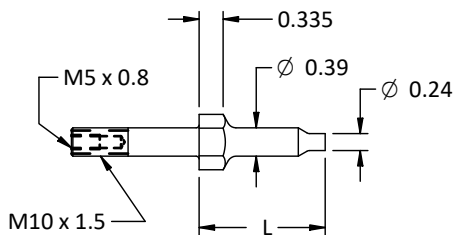
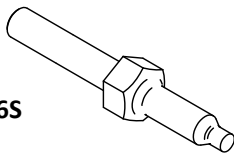
Example Part:

**3-17062R 0312 - 2**



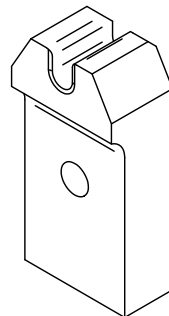
## WIRE STOP

PART #: 3-1706S  
Specify "L"



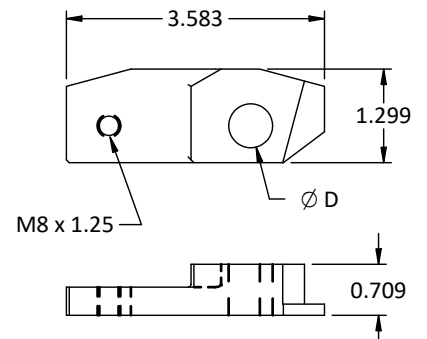
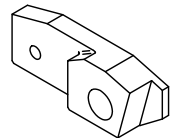
## STRIPPER FINGER

PART #: 3-1706SF



## CUTTER HOLDER

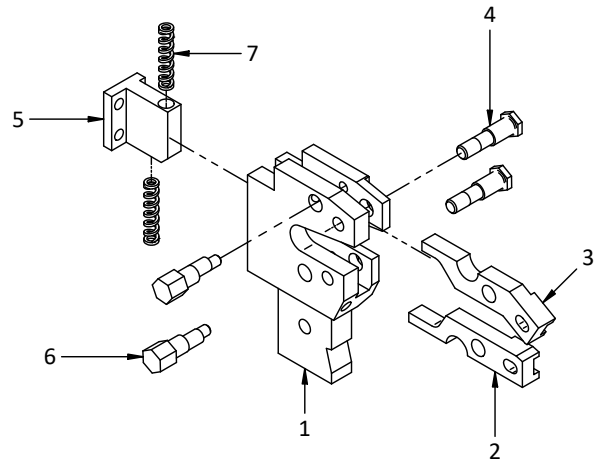
PART #: 3-2206  
Specify "Ø D"



# AOT 8B, 8L, 8XL

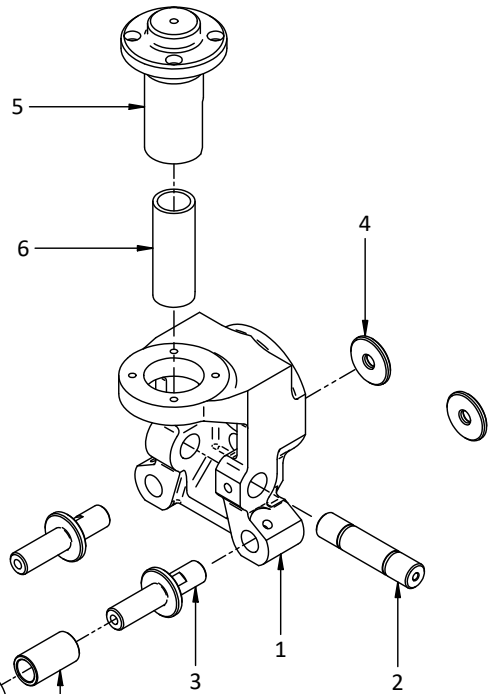
## 1st STATION TRANSFER HEAD

Key #	Part #	Description
1	3-1708TH	TRANSFER HEAD
2	3-1708FL	LOWER FINGER HOLDER
3	3-1708FU	UPPPER FINGER HOLDER
4	3-1708PS	PIVOT SCREW
5	3-1708SH	HOLDER
6	3-1708AP	ADJUST PIN

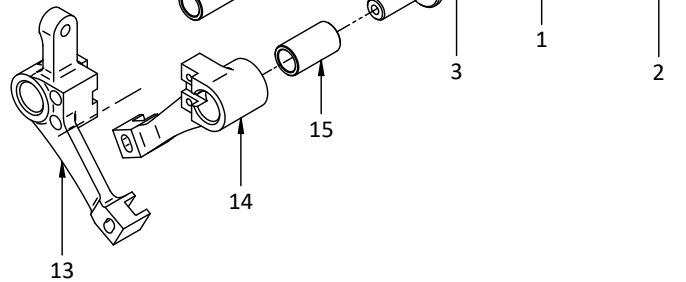
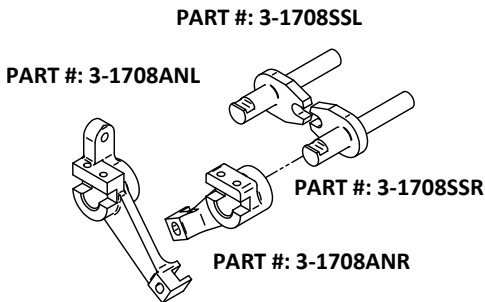


## OLD STYLE 2nd STATION TRANSFER HEAD

Key #	Part #	Description
1	3-1708THO	TRANSFER HEAD
2	3-1708PIO	PIN
3	3-1708SSO	SUPPORT SHAFT
4	3-1708SSWO	WASHER
5	3-1708SHO	SLEEVE
6	3-1708BO	BUSHING
13	3-1708AL	LEFT TRANSFER ARM
14	3-1708AR	RIGHT TRANSFER ARM
15	3-1708AB	BUSHING



## NEW STYLE 2nd STATION TRANSFER HEAD



# AOT 8B, 8L, 8XL

## 1st STATION FINGERS

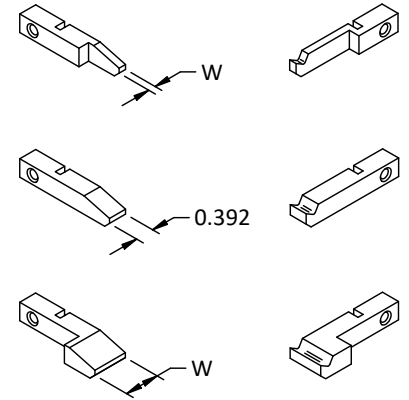
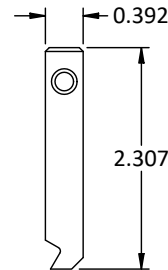
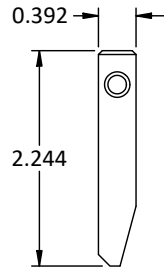
Detail	Wire Range
1	0.282 / 0.314
2	0.251 / 0.281
3	0.219 / 0.250
4	0.188 / 0.218
5	0.157 / 0.187
6	0.126 / 0.156
7	0.094 / 0.125

LOWER FINGER

UPPER FINGER

Part #: 3-17081L

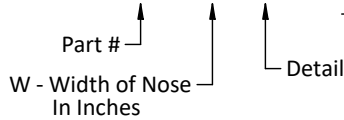
Part #: 3-17081U



SPECIFY  
- Part #  
- W  
- Detail

Example Part:

**3-17081U 0312 - 2**



## 2nd STATION FINGERS

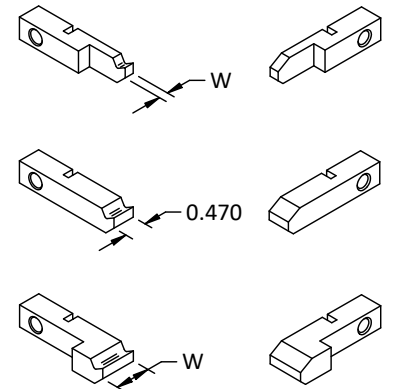
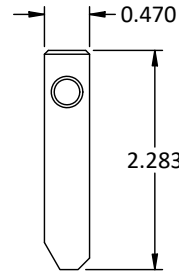
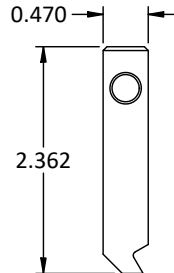
Detail	Wire Range
1	0.282 / 0.314
2	0.251 / 0.281
3	0.219 / 0.250
4	0.188 / 0.218
5	0.157 / 0.187
6	0.126 / 0.156
7	0.094 / 0.125

LEFT FINGER

RIGHT FINGER

Part #: 3-17082L

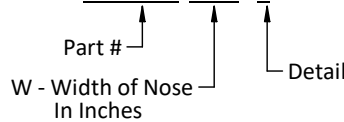
Part #: 3-17082R



SPECIFY  
- Part #  
- W  
- Detail

Example Part:

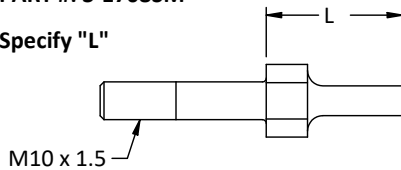
**3-17082R 0312 - 2**



## WIRE STOP

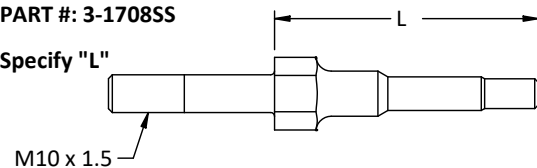
PART #: 3-1708SM

Specify "L"



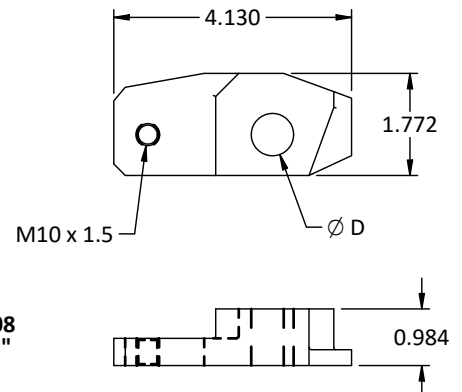
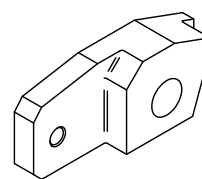
PART #: 3-1708SS

Specify "L"



When cutoff length is under 1.93

## CUTTER HOLDER

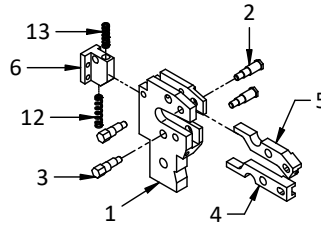


PART #: 3-2208  
Specify "Ø D"

# AOT 10B, 10L, 10XL

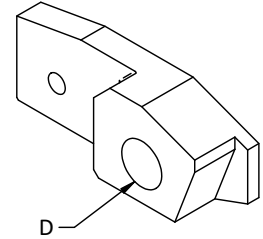
## 1st STATION TRANSFER HEAD

Key #	Part #	Description
1	3-1710TH	TRANSFER HEAD
2	3-1710PS	PIVOT PIN
3	3-1710AP	ADJUSTING PIN
4	3-1710FL	LOWER FINGER HOLDER
5	3-1710FU	UPPER FINGER HOLDER
6	3-1710SH	HOLDER



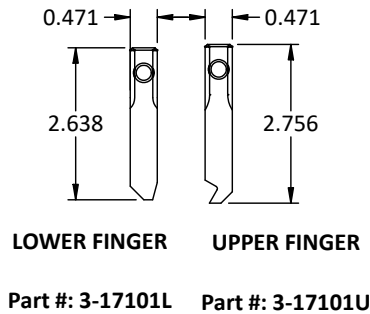
## CUTTER HOLDER

PART #: 3-2210  
Specify "  $\varnothing$  D "

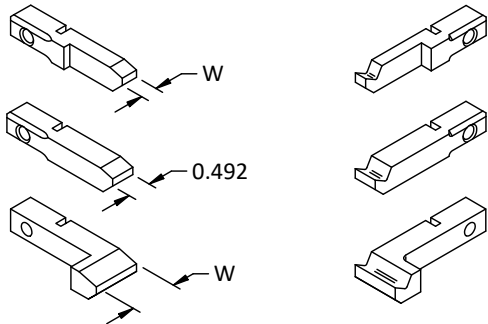
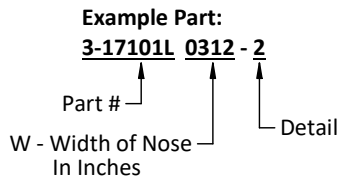


## 1st STATION FINGERS

Detail	Wire Range
0	0.376 / 0.393
1	0.344 / 0.375
2	0.313 / 0.343
3	0.282 / 0.312
4	0.251 / 0.281
5	0.219 / 0.250
6	0.188 / 0.218
7	0.157 / 0.187
8	0.126 / 0.156
9	0.094 / 0.125
10	0.406 / 0.437

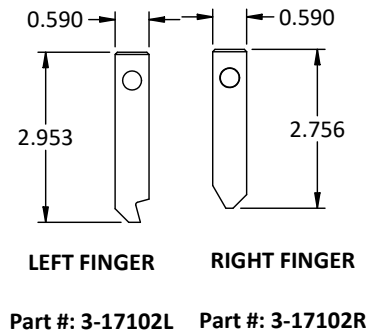


SPECIFY  
- Part #  
- W  
- Detail

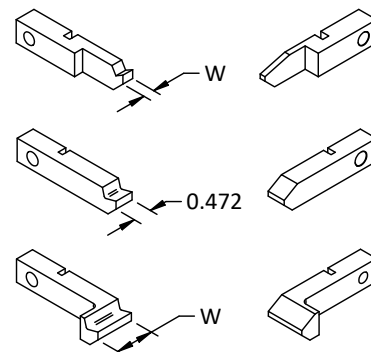
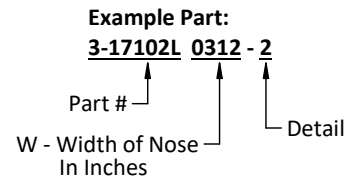


## 2nd STATION FINGERS

Detail	Wire Range
0	0.376 / 0.393
1	0.344 / 0.375
2	0.313 / 0.343
3	0.282 / 0.312
4	0.251 / 0.281
5	0.219 / 0.250
6	0.188 / 0.218
7	0.157 / 0.187
8	0.126 / 0.156
9	0.094 / 0.125



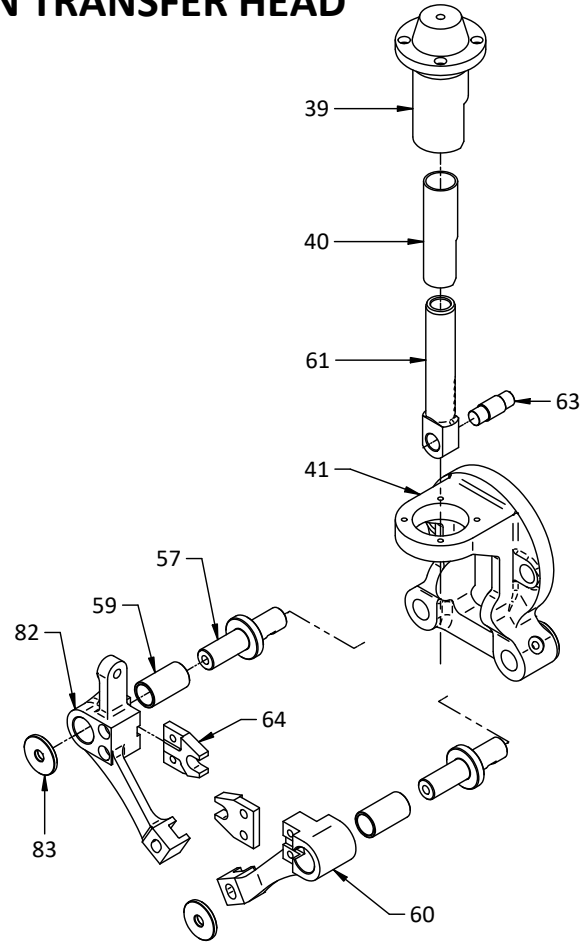
SPECIFY  
- Part #  
- W  
- Detail



# AOT 10B, 10L, 10XL

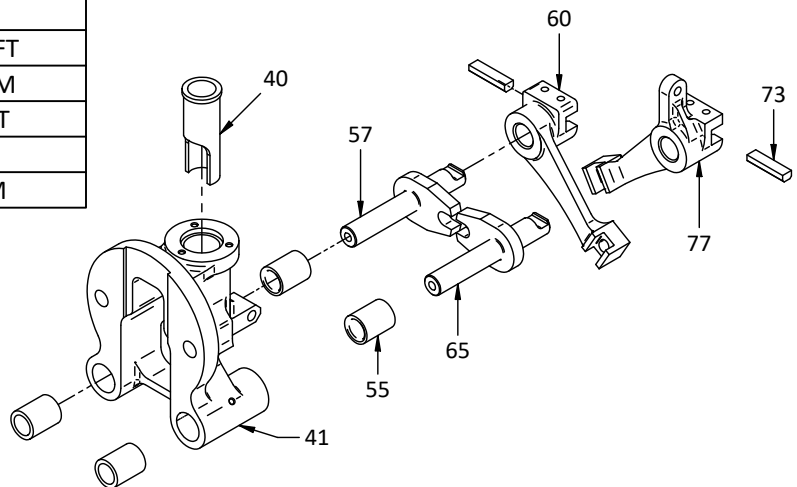
## OLD STYLE 2nd STATION TRANSFER HEAD

Key #	Part #	Description
39	3-1710SHO	SPRING HOLDER
40	3-1710BO	BUSHING
41	3-1710THO	TRANSFER HEAD
57	3-1710SSO	SHAFT
59	3-1710AB	BUSHING
60	3-1710AR	RIGHT TRANSFER ARM
61	3-1710RO	RACK
63	3-1710RPO	PIN
64	3-1710WLO	WEDGE
82	3-1710AL	LEFT TRANSFER ARM
83	3-1710SW	WASHER



## NEW STYLE 2nd STATION TRANSFER HEAD

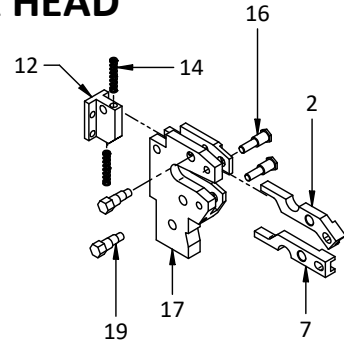
Key #	Part #	Description
40	3-1710B	BUSHING
41	3-1710H	TRANSFER HEAD
55	3-1710SB	BUSHING
57	3-1710SSR	RIGHT SUPPORT SHAFT
60	3-1710ANR	RIGHT TRANSFER ARM
65	3-1710SSL	LEFT SUPPORT SHAFT
73	3-1710AK	KEY
77	3-1710ANL	LEFT TRANSFER ARM



# AOT 12B, 12L, 12XL

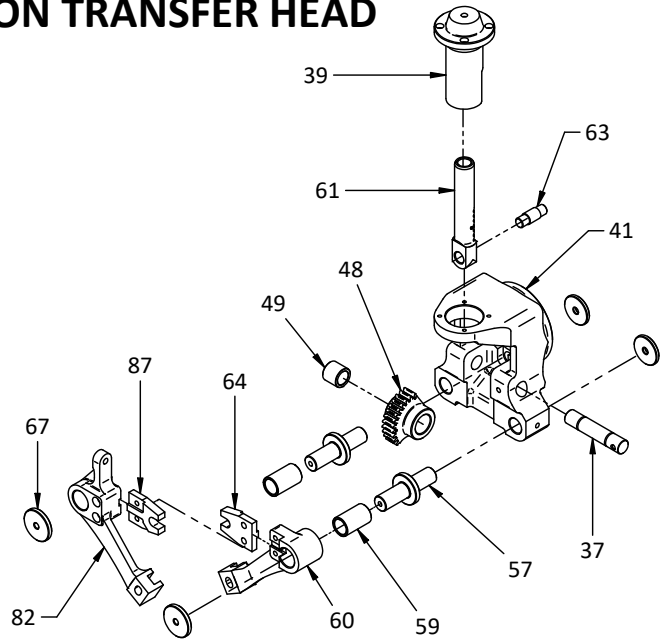
## 1st STATION TRANSFER HEAD

Key #	Part #	Description
2	3-1712FU	UPPER FINGER HOLDER
7	3-1712FI	LOWER FINGER HOLDER
12	3-1712SH	SPRING HOLDER
14	3053A8005004	SPRING
16	3-1712PS	PIVOT SCREW
17	3-1712TH	TRANSFER HEAD
19	3-1712AP	ADJUSTING PIN



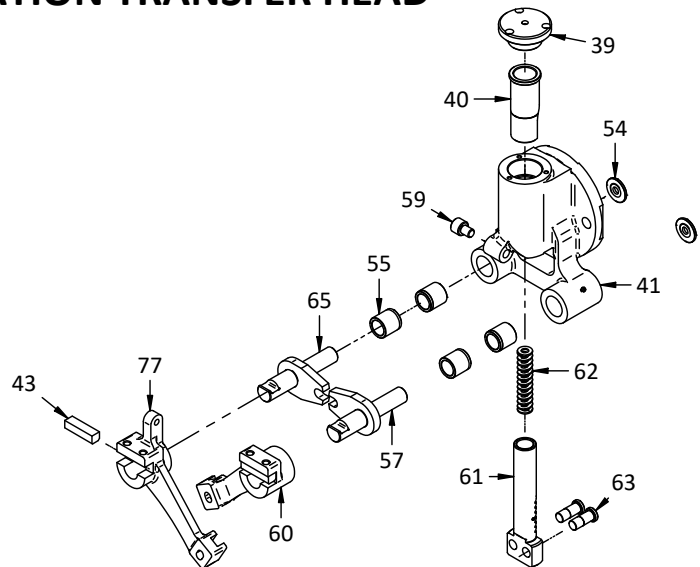
## OLD STYLE 2nd STATION TRANSFER HEAD

Key #	Part #	Description
37	3-1712RGRO	SHAFT
39	3-1712HSO	SLEEVE
41	3-1712THO	TRANSFER HEAD
48	3-1712RGO	GEAR
49	3-1712RGO	BUSHING
57	3-1712SSO	SUPPORT SHAFT
59	3-1712ABO	BUSHING
60	3-1712AR	RIGHT TRANSFER ARM
61	3-1712RO	ROD
63	3-1712RPO	ROD PIN
64	3-1712WRO	RIGHT WEDGE
67	3-1712FWO	WASHER
82	3-1712AL	LEFT TRANSFER ARM
87	3-1712WLO	LEFT WEDGE



## NEW STYLE 2nd STATION TRANSFER HEAD

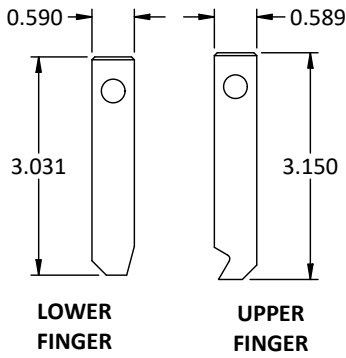
Key #	Part #	Description
39	3-1712C	CAP
40	3-1712HB	BUSHING
41	3-1712H	TRANSFER HEAD
43	3-1712AK	KEY
54	3-1712SW	WASHER
55	3-1712SB	BUSHING
57	3-1712SSR	SHAFT
59	3-1712HP	PIN
60	3-1712ANR	ARM
61	3-1712R	GEAR
62	204-416	SPRING
63	3-1712RP	PIN
65	3-1712SSL	SHAFT
77	3-1712ANL	ARM



# AOT 12B, 12L, 12XL

## 1st STATION FINGERS

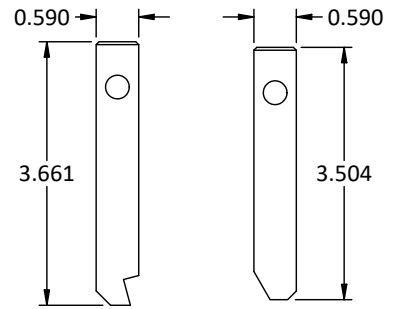
Detail	Wire Range
A	0.438 / 0.472
B	0.407 / 0.437
C	0.376 / 0.406
D	0.344 / 0.375
E	0.313 / 0.343
F	0.282 / 0.312
G	0.251 / 0.281
H	0.219 / 0.250
I	0.188 / 0.218
J	0.157 / 0.187
K	0.126 / 0.156
L	0.094 / 0.125



Part #: 3-17121L    Part #: 3-17121U

## 2nd STATION FINGERS

Detail	Wire Range
A	0.438 / 0.472
B	0.407 / 0.437
C	0.376 / 0.406
D	0.344 / 0.375
E	0.313 / 0.343
F	0.282 / 0.312
G	0.251 / 0.281
H	0.219 / 0.250
I	0.188 / 0.218
J	0.157 / 0.187
K	0.126 / 0.156
L	0.094 / 0.125



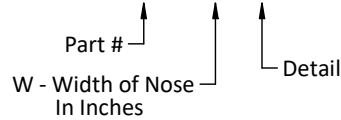
Part #: 3-17122L    Part #: 3-17122R

**SPECIFY**

- Part #
- W
- Detail

**Example Part:**

**3-17121L 0312 - A**

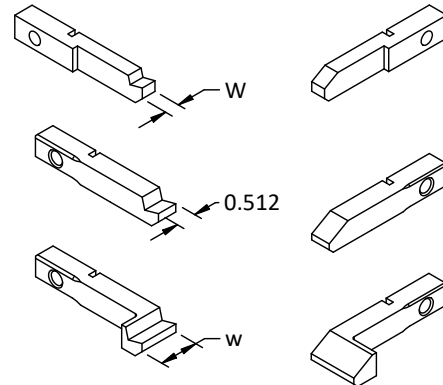
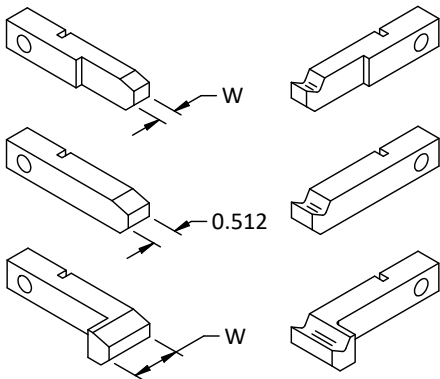
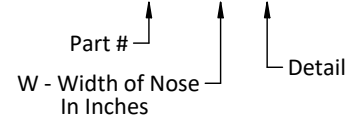


**SPECIFY**

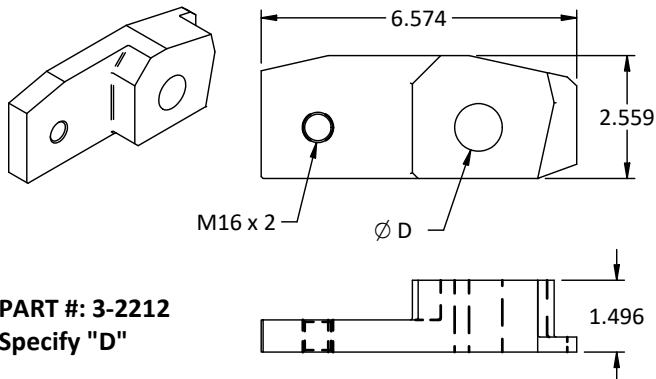
- Part #
- W
- Detail

**Example Part:**

**3-17122L 0312 - A**



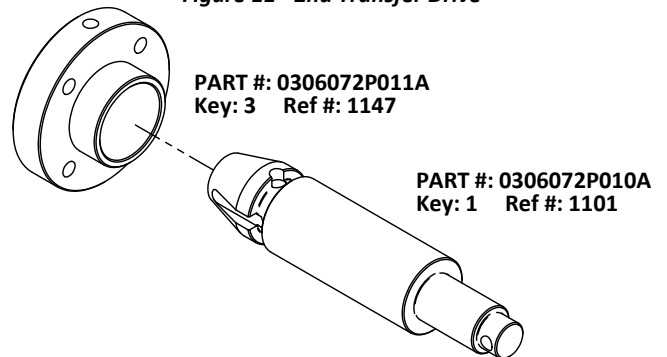
## CUTTER HOLDER



**PART #: 3-2212**  
Specify "D"

## JOINT PIN & PLATE

Figure 11 - 2nd Transfer Drive



**PART #: 0306072P011A**  
Key: 3    Ref #: 1147

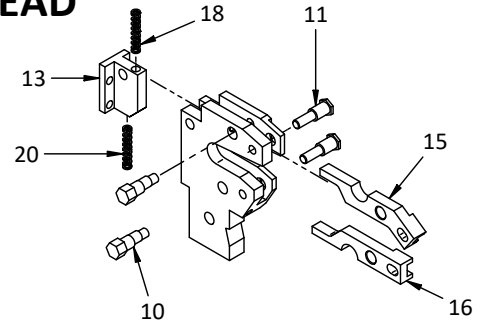
**PART #: 0306072P010A**  
Key: 1    Ref #: 1101



# AOT 16B, 16L, 16XL

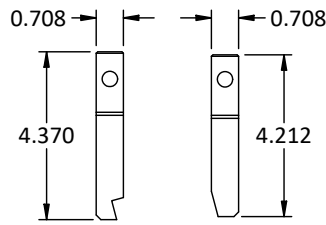
## 1st STATION TRANSFER HEAD

Key #	Part #	Description
10	3-1716AP	ADJUSTING PIN
11	3-1716PS	PIVOT SCREW
13	3-1716SH	SPRING HOLDER
15	3-1716FU	UPPER FINGER HOLDER
16	3-1716FL	LOWER FINGER HOLDER
18	9900002029	UPPER SPRING
20	9900001802	LOWER SPRING



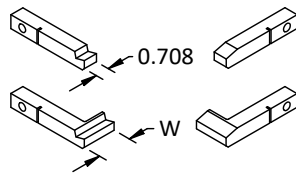
## 1st STATION TRANSFER FINGERS

Detail	Wire Range
1	0.532 / 0.562
2	0.501 / 0.531
3	0.469 / 0.500



LOWER FINGER      UPPER FINGER

Part #: 3-17161L      Part #: 3-17161U



Example Part:

**3-17161L 0312 - 1**

Part #

W - Width of Nose  
In Inches

Detail

SPECIFY

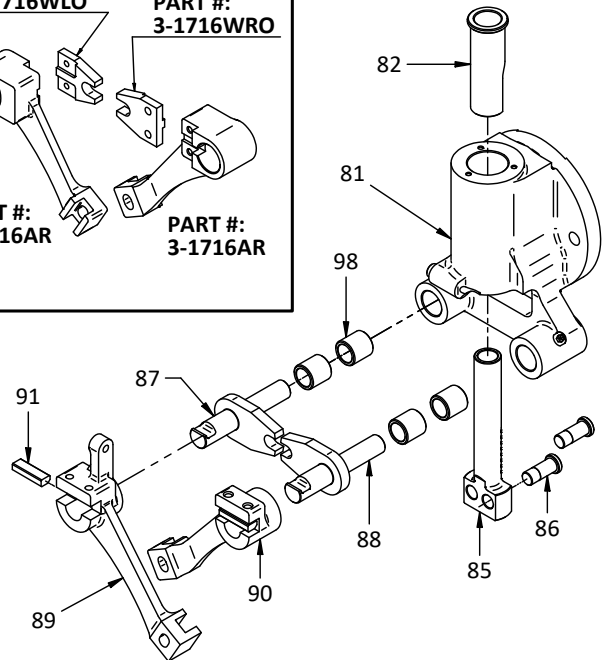
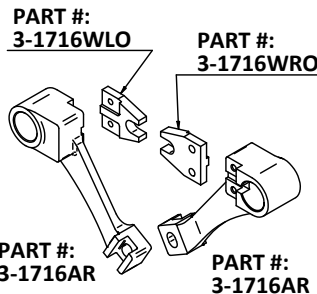
- Part #

- W

- Detail

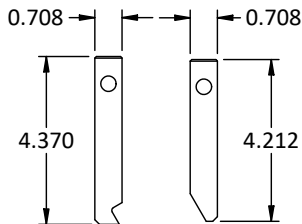
## NEW STYLE 2nd STATION TRANSFER HEAD

### OLD STYLE



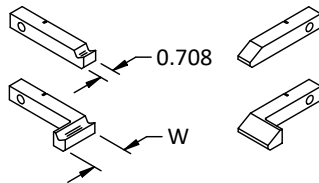
## 2nd STATION TRANSFER FINGERS

Detail	Wire Range
1	0.532 / 0.562
2	0.501 / 0.531
3	0.469 / 0.500
4	0.438 / 0.468
5	0.407 / 0.437
6	0.563 / 0.593
7	0.594 / 0.625



LEFT FINGER      RIGHT FINGER

Part #: 3-17161L      Part #: 3-17161R



SPECIFY

- Part #

- W

- Detail

Example Part:

**3-17161L 0312 - 1**

Part #

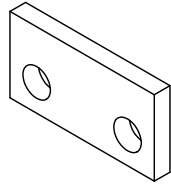
W - Width of Nose  
In Inches

Detail

Key #	Part #	Description
81	3-1716H	TRANSFER HEAD
82	3-1716B	BUSHING
85	3-1716R	RACK
86	3-1716RP	PIN
87	3-1716SSL	LEFT SUPPORT SHAFT
88	3-1716SSR	RIGHT SUPPORT SHAFT
89	3-1716ANL	LEFT TRANSFER ARM
90	3-1716ANR	RIGHT TRANSFER ARM
91	3-1716AK	KEY
98	3-1716SB	BUSHING

# AOT 16B, 16L, 16XL

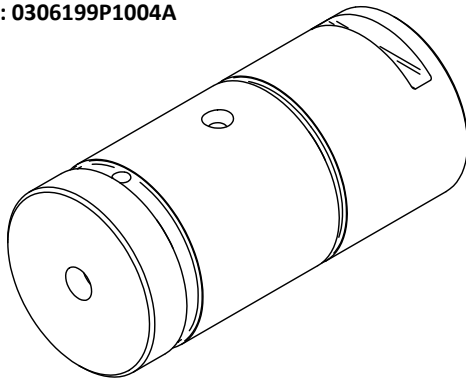
## FIGURE 8



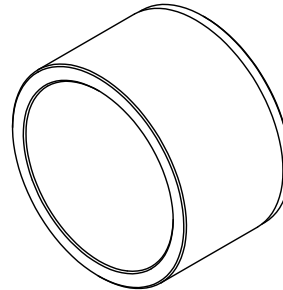
KEY PLATE  
PART #: 0306199P0832A

## FIGURE 10

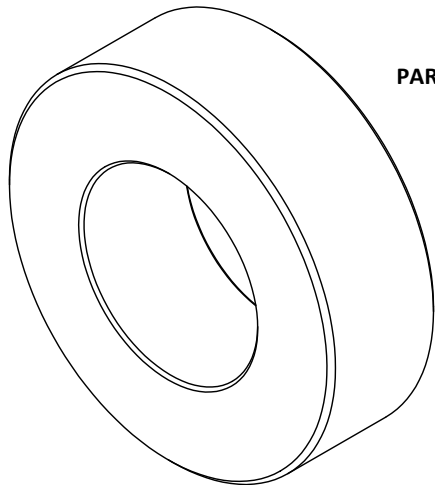
ROLLER FOLLOWER PIN  
PART #: 0306199P1004A



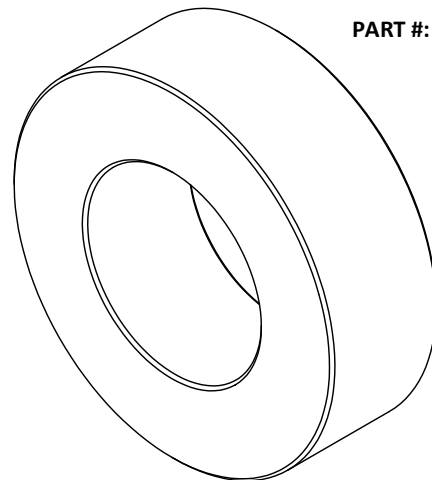
BUSHING  
PART #: 0306199P1008A



ROLLER  
PART #: 0306199P1031A

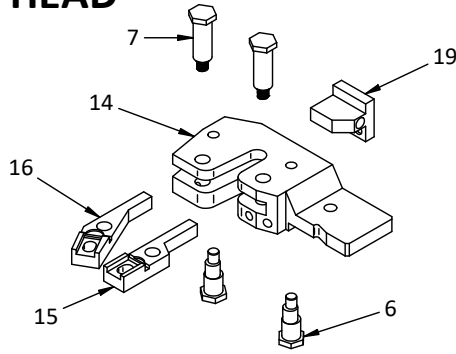


ROLLER  
PART #: 0306199P1007A



## AOL / AOS 6

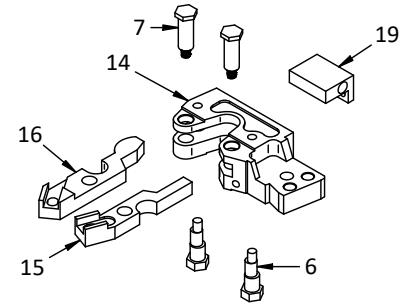
### TRANSFER HEAD



Key #	Part #	Description
6	3-1960CL	CAM LOCK
7	3-1960SB	SHOULDER BOLT
14	3-1606TH	TRANSFER HEAD
15	3-1606FL	LOWER FINGER HOLDER
16	3-1606FU	UPPER FINGER HOLDER
19	3-1960SH	SPRING HOLDER

## AOS 6H

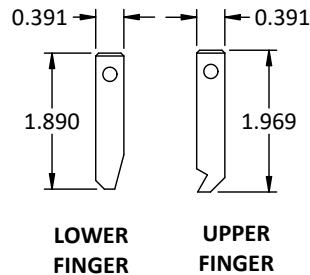
### TRANSFER HEAD



Key #	Part #	Description
6	3-1606HAP	ADJUSTING PIN
7	3-1606HPS	PIVOT PIN
14	3-1606HTH	TRANSFER HEAD
15	3-1606HFL	LOWER FINGER HOLDER
16	3-1606HFU	UPPER FINGER HOLDER
19	3-1606HSH	SPRING HOLDER

### TRANSFER FINGERS

Detail	Wire Range
1	0.219 / 0.236
2	0.188 / 0.218
3	0.157 / 0.187
4	0.126 / 0.156
5	0.094 / 0.125
6	0.063 / 0.093



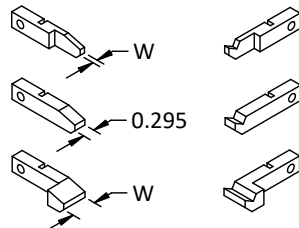
LOWER FINGER

UPPER FINGER

Example Part:  
**3-16061L 0312 - 1**

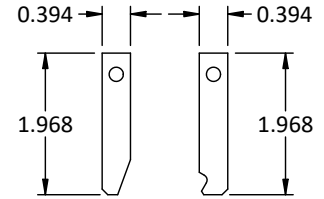
Part #      Detail  
W - Width of Nose  
In Inches

SPECIFY  
- Part #  
- W  
- Detail



### TRANSFER FINGERS

Detail	Wire Range
1	0.130
2	0.150
3	0.200
4	0.212



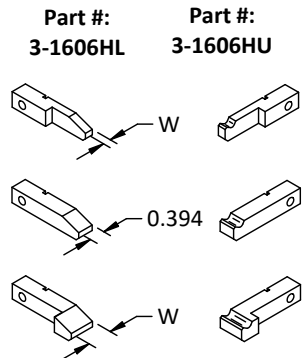
LOWER FINGER

UPPER FINGER

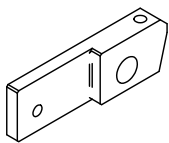
Example Part:  
**3-1606HL 0312 - 1**

Part #      Detail  
W - Width of Nose  
In Inches

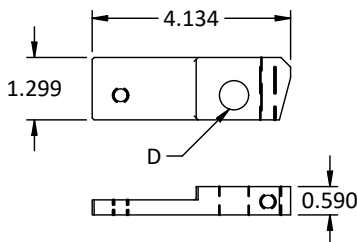
SPECIFY  
- Part #  
- W  
- Detail



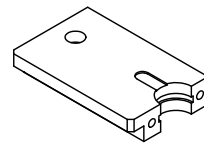
### CUTTER HOLDER



PART #: 3-2207  
SPECIFY - "ØD"



### CUTTER HOLDER - SPECIFY "D"



PART #: 3-2207HM

PART #: 3-2207HMI

PART #: 3-2207HMC

**AOL / AOS 8** **AOS 8H**

**TRANSFER HEAD**

**UPPER HOLDER**  
PART #: 3-1608FU

**LOWER HOLDER**  
PART #: 3-1608FL

**TRANSFER HEAD**

Key #	Part #	Description
6	3-1606HAP	ADJUSTING PIN
7	3-1606HPS	PIVOT PIN
14	3-1608HTH	TRANSFER HEAD
15	3-1608HFL	LOWER FINGER HOLDER
16	3-1608HFU	UPPER FINGER HOLDER
19	3-1606HSH	SPRING HOLDER

**TRANSFER FINGERS**

Detail	Wire Range
1	0.282 / 0.315
2	0.251 / 0.281
3	0.219 / 0.250
4	0.188 / 0.218
5	0.157 / 0.187
6	0.126 / 0.156
7	0.094 / 0.125

**LOWER FINGER** Part #: 3-16081L

**UPPER FINGER** Part #: 3-16081U

**Example Part:**  
3-16081L 0312 - 1

Part #      Detail

W - Width of Nose In Inches

**SPECIFY**  
- Part #  
- W  
- Detail

**TRANSFER FINGERS**

Detail	Wire Range
1	0.200
2	0.212
3	0.269

**LOWER FINGER** Part #: 3-1608HL

**UPPER FINGER** Part #: 3-1608HU

**Example Part:**  
3-1608HL 0312 - 1

Part #      Detail

W - Width of Nose In Inches

**SPECIFY**  
- Part #  
- W  
- Detail

**CUTTER HOLDER**

PART #: 3-2209  
Specify: "D"

**CUTTER HOLDER - SPECIFY "D"**

PART #: 3-2209HM

PART #: 3-2209HMI

PART #: 3-2209HMC

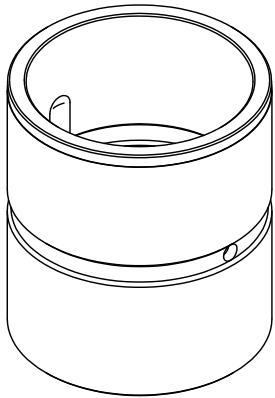
PART #: 3-2209HSI

PART #: 3-2209HSC

PART #: 3-2209HS

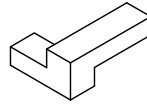
# AOS 8H

**FIGURE 14**

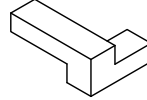


**BUSHING**  
PART #: 0306216P1432A  
Ref # : 1432

**FIGURE 15**

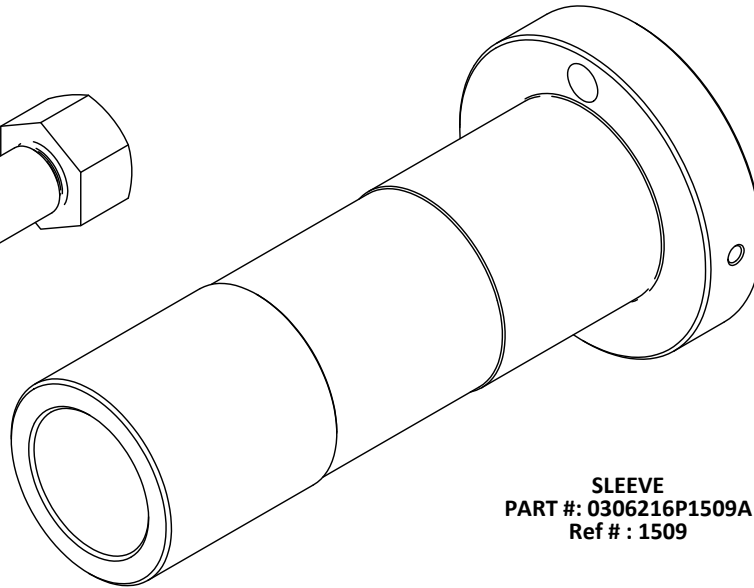
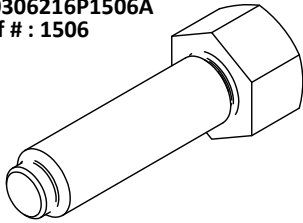


**CROSS KEY - 1st PUNCH**  
PART #: 0306070P1573A  
Ref # : 1573

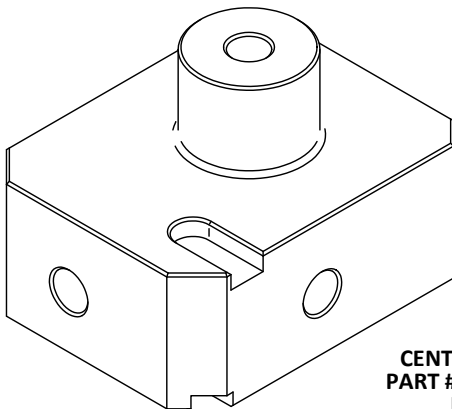


**CROSS KEY - 2nd PUNCH**  
PART #: 0306070P1578A  
Ref # : 1578

**DIE BOLT**  
PART #: 0306216P1506A  
Ref # : 1506



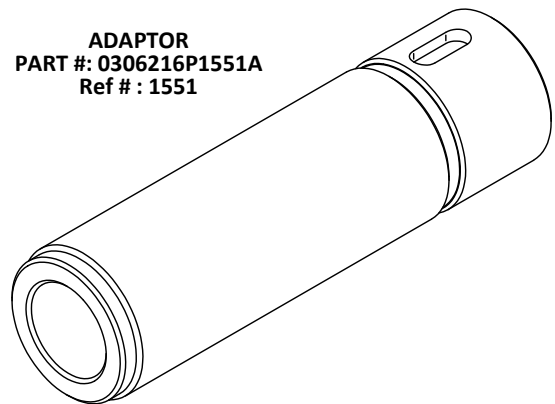
**SLEEVE**  
PART #: 0306216P1509A  
Ref # : 1509



**CENTERING BLOCK #2**  
PART #: 0306070P1569A  
Ref # : 1569

**FIGURE 51**

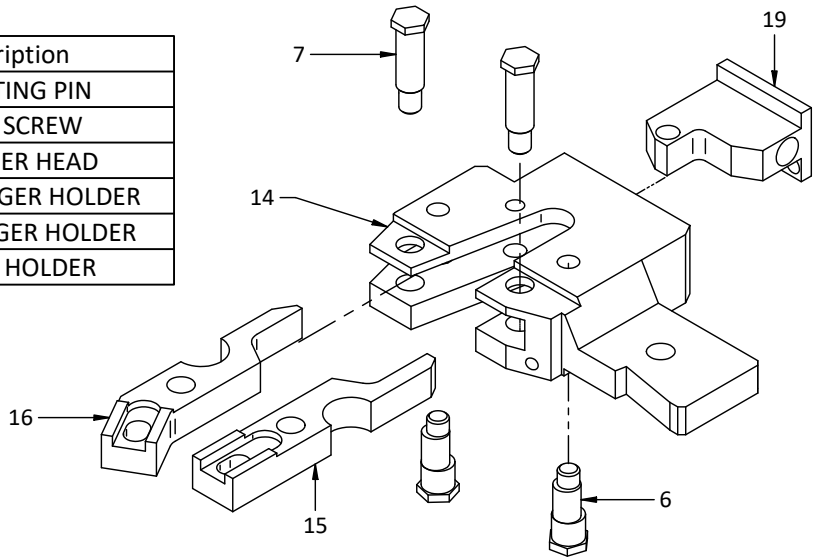
**ADAPTOR**  
PART #: 0306216P1551A  
Ref # : 1551



# AOL / AOS 10

## TRANSFER HEAD

Key #	Part #	Description
6	3-1610AP	ADJUSTING PIN
7	3-1610PS	PIVOT SCREW
14	3-1610TH	TRANSFER HEAD
15	3-1610FL	LOWER FINGER HOLDER
16	3-1610FU	UPPER FINGER HOLDER
19	3-1610SH	SPRING HOLDER



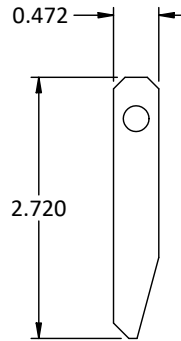
## TRANSFER FINGERS

Detail	Wire Range
1	0.376 / 0.393
2	0.344 / 0.375
3	0.313 / 0.343
4	0.282 / 0.312
5	0.251 / 0.281
6	0.219 / 0.250
7	0.188 / 0.218
8	0.157 / 0.187
9	0.126 / 0.156
10	0.094 / 0.125

**Example Part:**  
**3-16101L 0312 - 1**

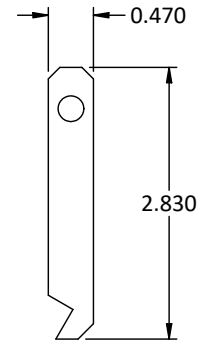
Part #      W - Width of Nose  
                  In Inches      Detail

*SPECIFY*  
 - Part #  
 - W  
 - Detail



**LOWER FINGER**

Part #: 3-16101L

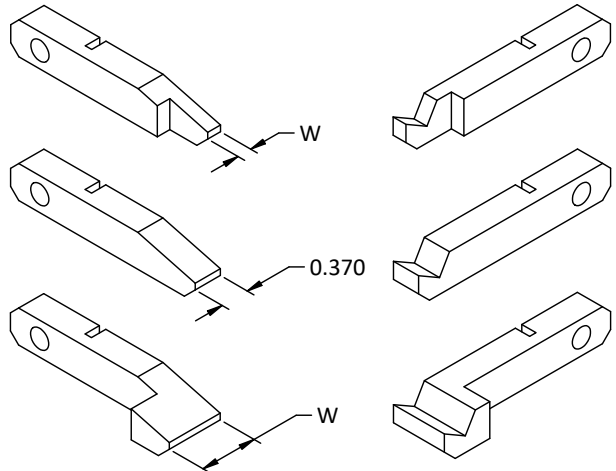
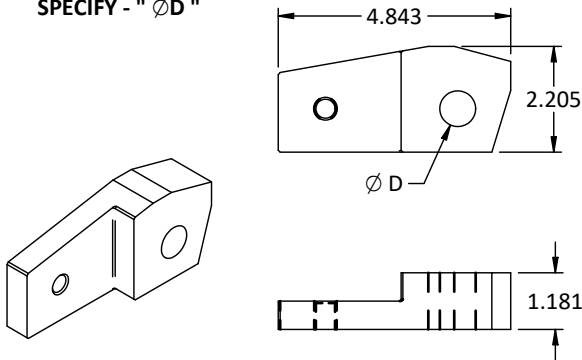


**UPPER FINGER**

Part #: 3-16101U

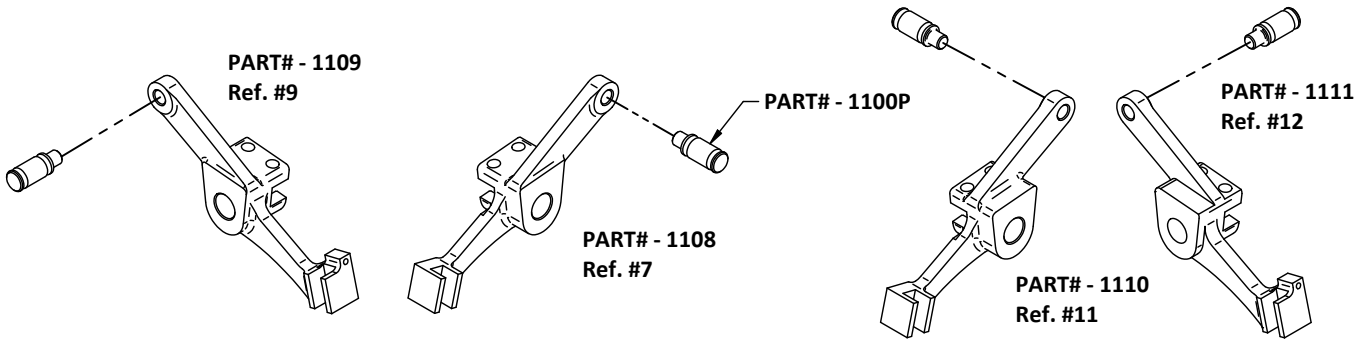
## CUTTER HOLDERS

**PART #: 3-2211**  
**SPECIFY - " Ø D "**



# OBF 130

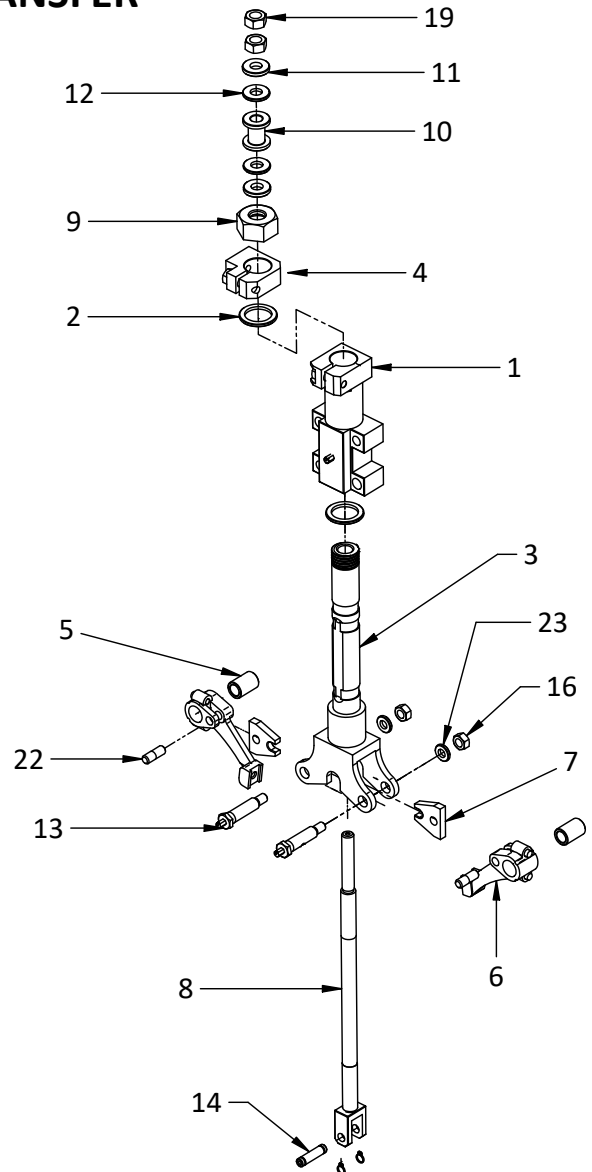
## BOLTFORMER ARMS



# AF 810

## UNIVERSAL TRANSFER

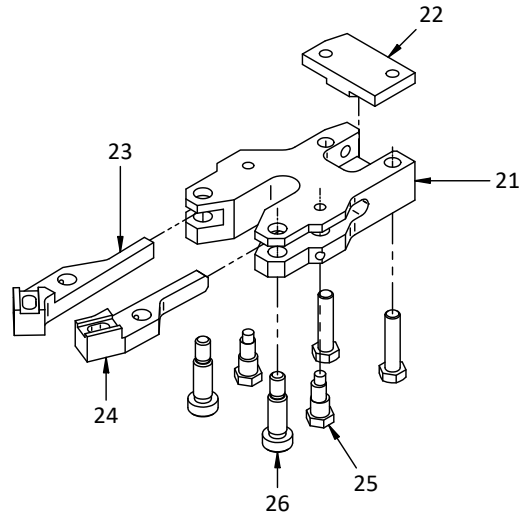
Key #	Part #	Description
1	4-810H	HOUSING
2	4-810W2	SPINDLE WASHER
3	4-810AB	TRANSFER SPINDLE
4	4-810SCC	CONTROL CLUTCH
5	4-810TFAB	BUSHING
6	4-810TFA	TRANSFER ARM
7	4-810W	WEDGE </td
8	4-810FAS	SHAFT
9	4-810SLN	LOCK NUT
10	4-810FOS	OPENING SLEEVE
11	4-810SWS	WASHER
12	4-810SWB	WASHER
13	4-810TAP	TRANSFER ARM PIVOT PIN
14	4-810FAP	SHAFT PIN
16	9900000040	NUT
19	9900000041	NUT
22	4-810TFAP	ARM PIN
23	4-810TAPW	WASHER



# RH 60

## 1st STATION TRANSFER HEAD

Key #	Part #	Description
21	3-1560TH	TRANSFER HEAD
22	3-1560CL	CLAMP
23	3-1560FU	UPPER FINGER HOLDER
24	3-1560FL	LOWER FINGER HOLDER
25	3-1560AP	PIN
26	3-1560PS	BOLT

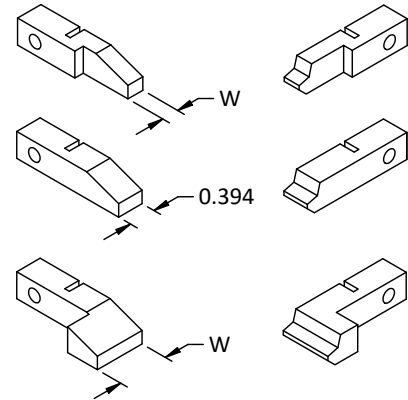
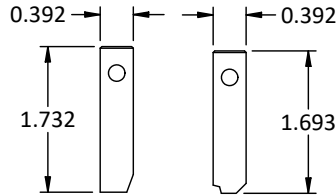


## 1st STATION FINGERS

Detail	Wire Range
1	0.282 / 0.314
2	0.251 / 0.281
3	0.219 / 0.250
4	0.188 / 0.218
5	0.157 / 0.187
6	0.126 / 0.156
7	0.094 / 0.125
8	0.063 / 0.093

*SPECIFY*  
- Part #  
- W  
- Detail

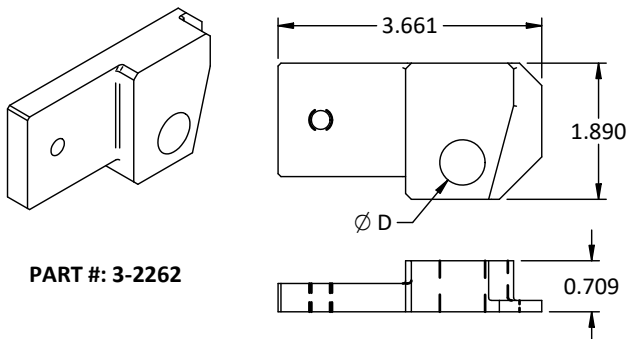
**LOWER FINGER**      **UPPER FINGER**  
Part #: 3-15601L      Part #: 3-15601U



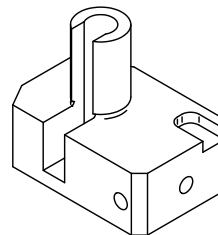
**Example Part:**  
**3-15601L 0312 - 1**

Part #      Detail  
W - Width of Nose  
In Inches

## CUTTER HOLDER - SPECIFY "D"



## PUNCH HOLDER 3rd STATION CENTER BLOCK



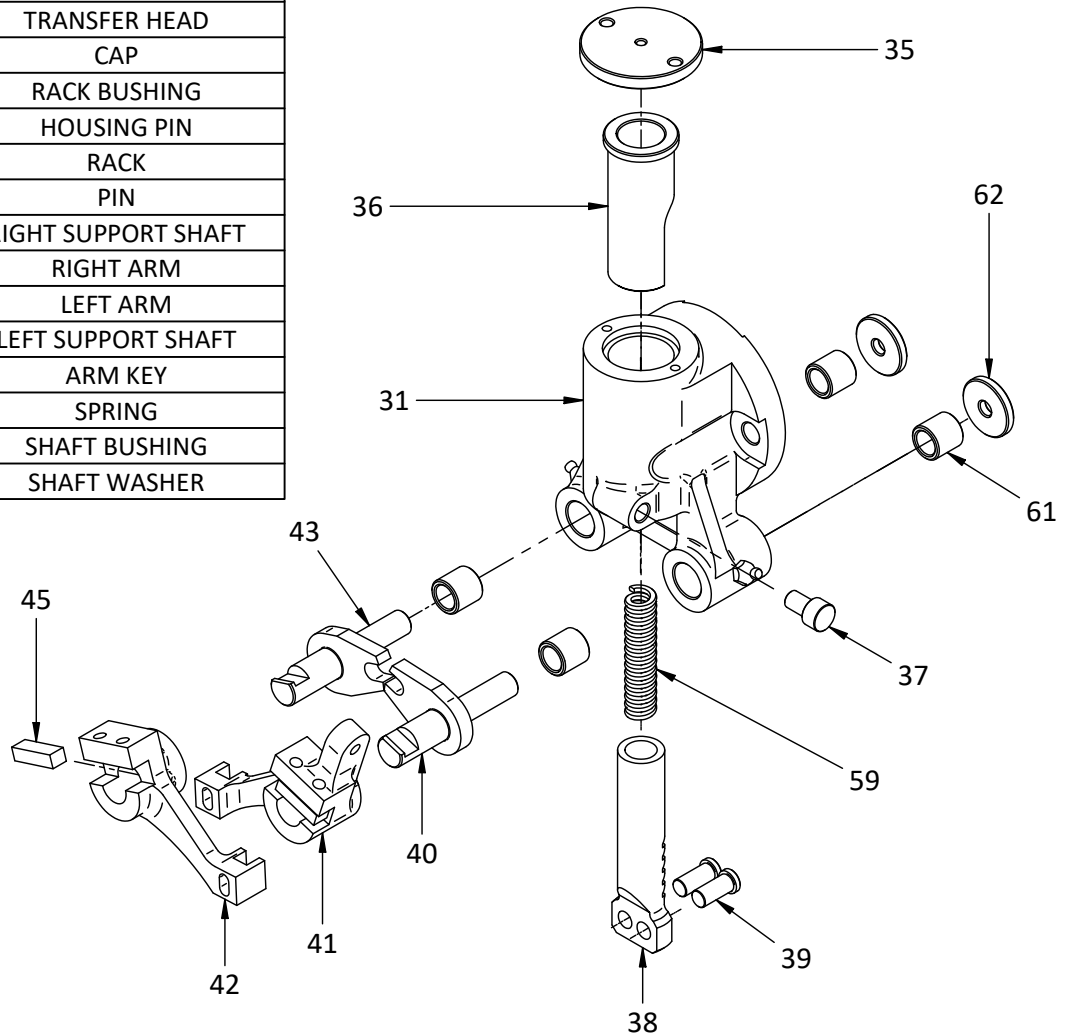
PART #: 0306165P1517A



# RH 60

## 2nd STATION TRANSFER HEAD

Key #	Part #	Description
31	3-1560H	TRANSFER HEAD
35	3-1560C	CAP
36	3-1560B	RACK BUSHING
37	3-1560HP	HOUSING PIN
38	3-1560R	RACK
39	3-1560RP	PIN
40	3-1560SSR	RIGHT SUPPORT SHAFT
41	3-1560AR	RIGHT ARM
42	3-1560AL	LEFT ARM
43	3-1560SSL	LEFT SUPPORT SHAFT
45	3-1560AK	ARM KEY
59	SPRING	SPRING
61	3-1560SB	SHAFT BUSHING
62	3-1560SSCP	SHAFT WASHER



## 2nd STATION FINGERS

Detail	Wire Range
1	0.282 / 0.314
2	0.251 / 0.281
3	0.219 / 0.250
4	0.188 / 0.218
5	0.157 / 0.187
6	0.126 / 0.156
7	0.094 / 0.125
8	0.063 / 0.093

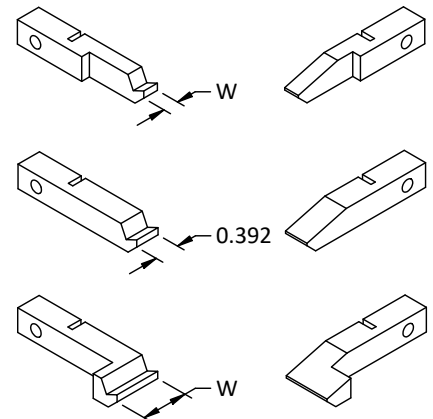
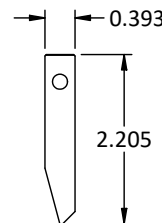
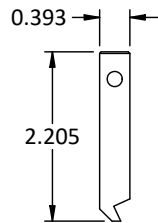
*SPECIFY*  
- Part #  
- W  
- Detail

**LEFT FINGER**

**RIGHT FINGER**

Part #: 3-15602L

Part #: 3-15602R



**Example Part:**

**3-15602L 0312 - 1**

Part #

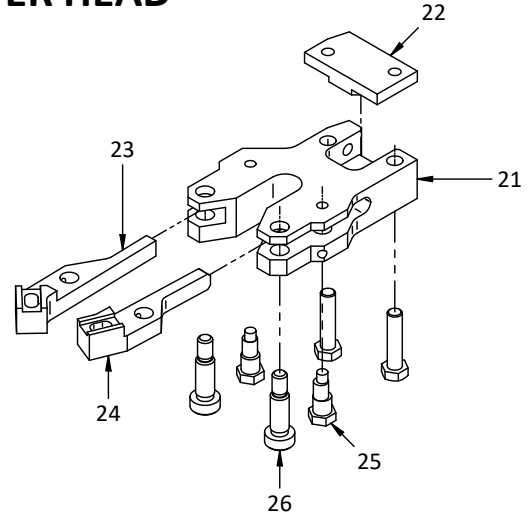
Detail

W - Width of Nose  
In Inches

# RH 80

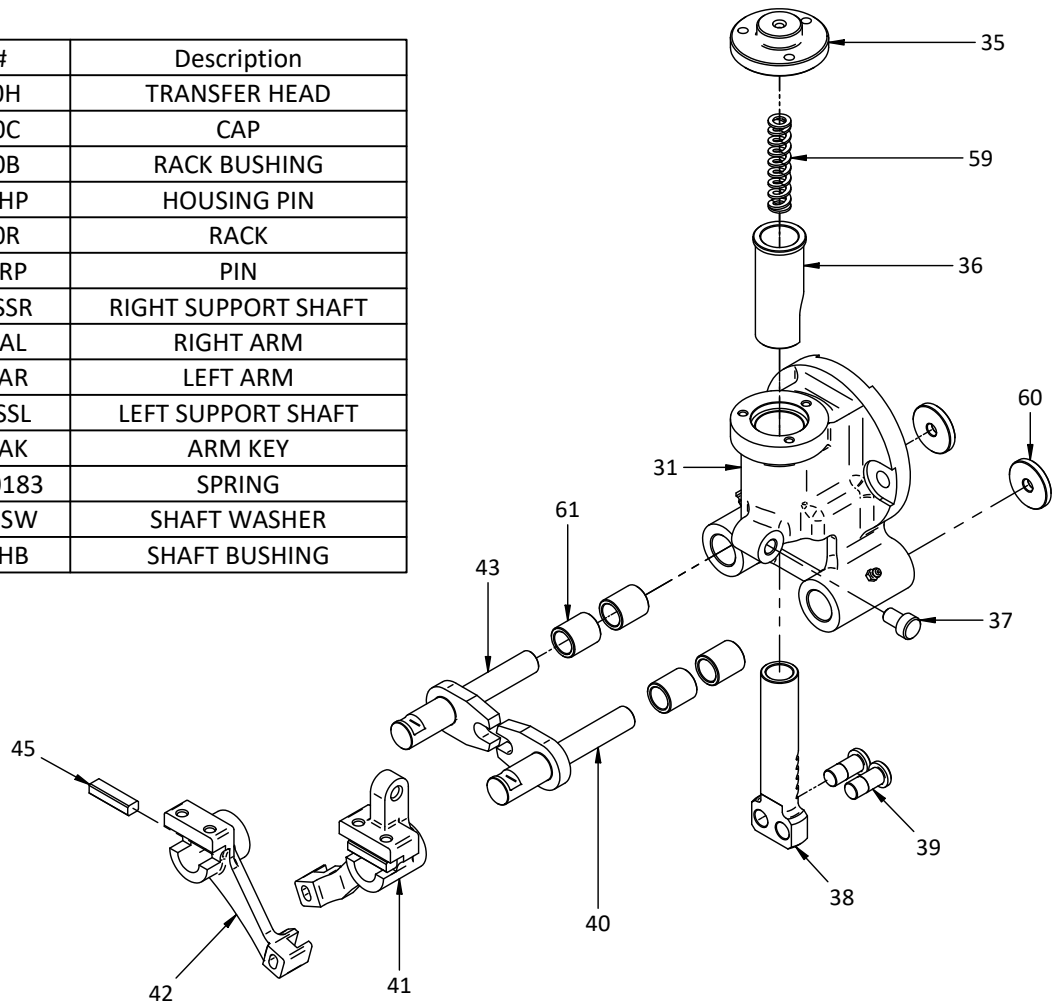
## 1st STATION TRANSFER HEAD

Key #	Part #	Description
21	3-1580TH	TRANSFER HEAD
22	3-1580CL	CLAMP
23	3-1580FU	UPPER FINGER HOLDER
24	3-1580FL	LOWER FINGER HOLDER
25	3-1580AP	PIN
26	3-1580PS	BOLT



## 2nd STATION TRANSFER HEAD

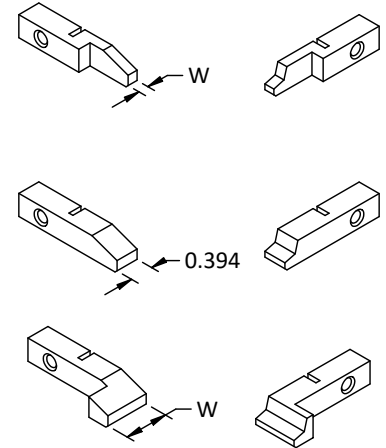
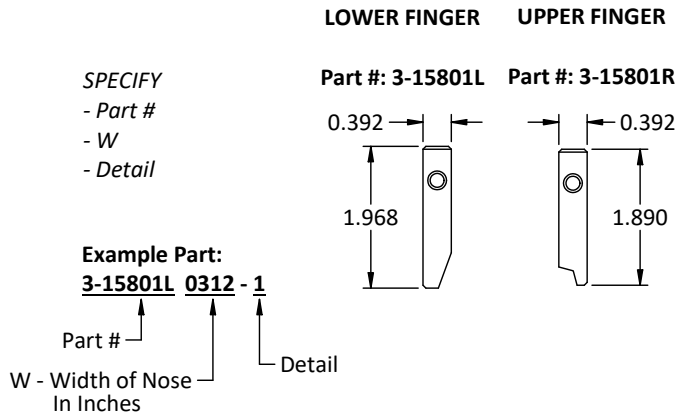
Key #	Part #	Description
31	3-1580H	TRANSFER HEAD
35	3-1580C	CAP
36	3-1580B	RACK BUSHING
37	3-1580HP	HOUSING PIN
38	3-1580R	RACK
39	3-1580RP	PIN
40	3-1580SSR	RIGHT SUPPORT SHAFT
41	3-1580AL	RIGHT ARM
42	3-1580AR	LEFT ARM
43	3-1580SSL	LEFT SUPPORT SHAFT
45	3-1580AK	ARM KEY
59	9900000183	SPRING
60	3-1580SSW	SHAFT WASHER
61	3-1580HB	SHAFT BUSHING



# RH 80

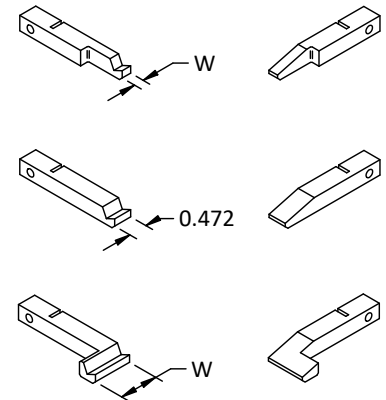
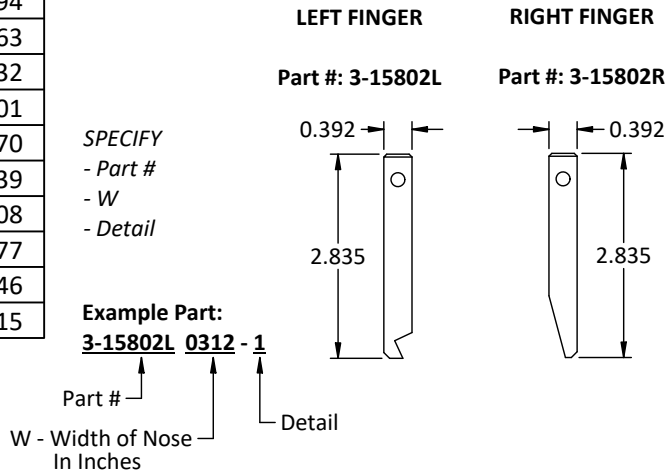
## 1st STATION FINGERS

Detail	Wire Range
1	0.364 / 0.394
2	0.333 / 0.363
3	0.302 / 0.332
4	0.271 / 0.301
5	0.240 / 0.270
6	0.209 / 0.239
7	0.178 / 0.208
8	0.147 / 0.177
9	0.116 / 0.146
10	0.085 / 0.115



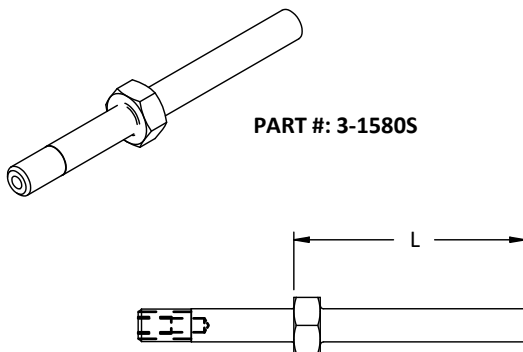
## 2nd STATION FINGERS

Detail	Wire Range
1	0.364 / 0.394
2	0.333 / 0.363
3	0.302 / 0.332
4	0.271 / 0.301
5	0.240 / 0.270
6	0.209 / 0.239
7	0.178 / 0.208
8	0.147 / 0.177
9	0.116 / 0.146
10	0.085 / 0.115

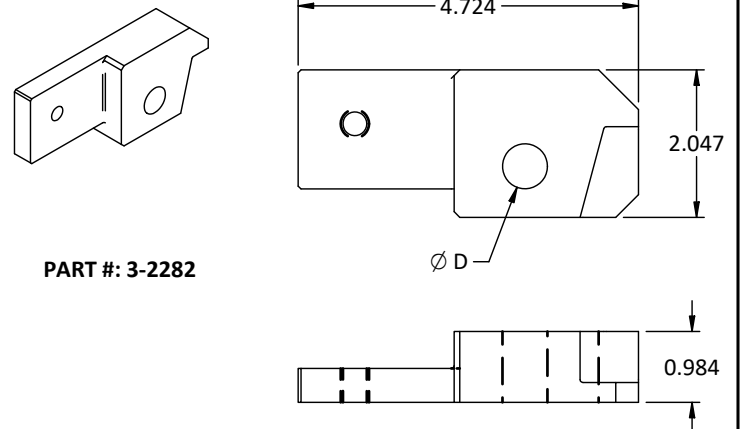


## WIRE STOP

*SPECIFY L*

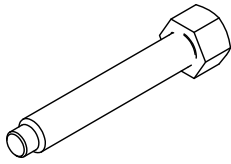


## CUTTER HOLDER - SPECIFY "D"



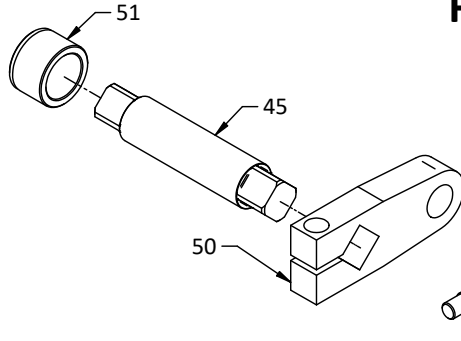
# RH 80

**FIGURE 2**



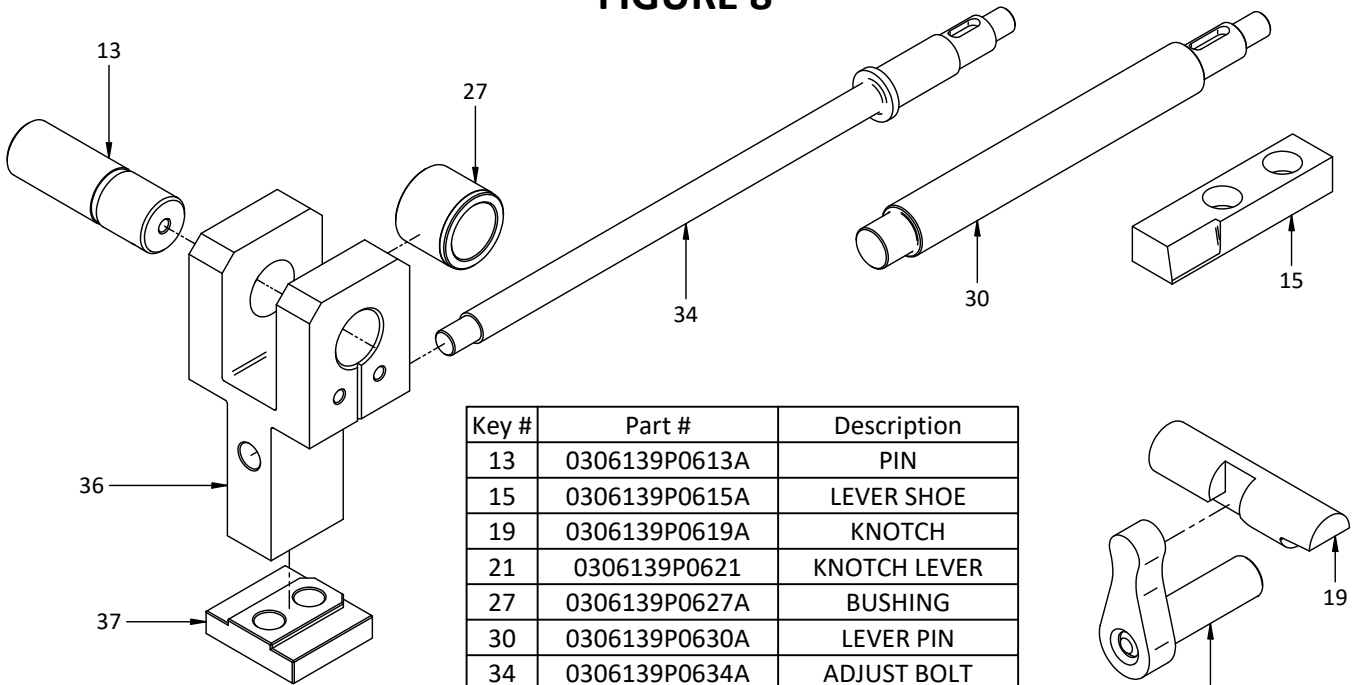
**PUSHER BOLT  
PART #: 0306139P0213A**

**FIGURE 3**



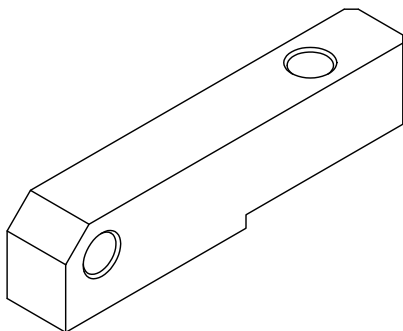
Key #	Part #	Description
45	0306139P0245A	SHAFT
49	0306139P0249A	SPRING GUIDE PIN
50	0306139P0250A	LEVER
51	0306139P0251A	BUSHING

**FIGURE 8**



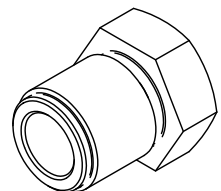
Key #	Part #	Description
13	0306139P0613A	PIN
15	0306139P0615A	LEVER SHOE
19	0306139P0619A	KNOTCH
21	0306139P0621	KNOTCH LEVER
27	0306139P0627A	BUSHING
30	0306139P0630A	LEVER PIN
34	0306139P0634A	ADJUST BOLT
36	0306139P0636A	SLIDE
37	0306139P0637A	CAP

**FIGURE 9**



**STOPPER ARM  
PART #: 0306139P0756A**

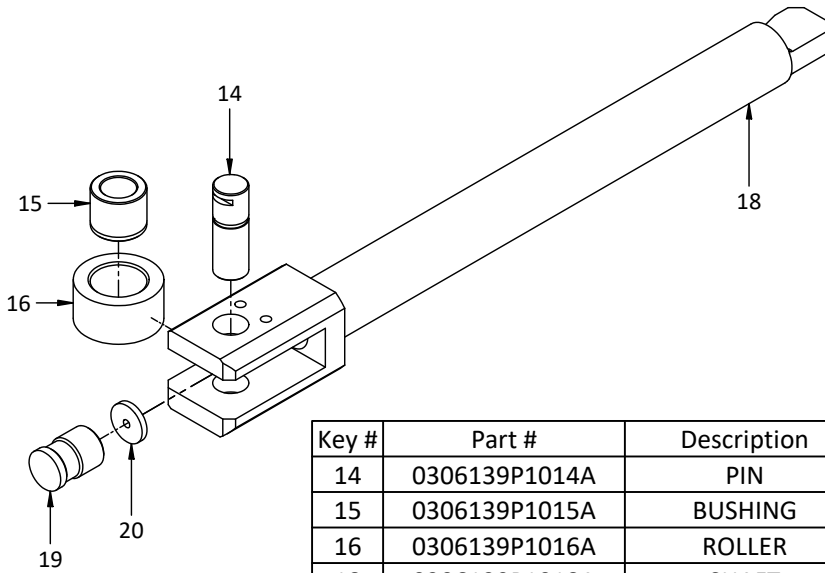
**FIGURE 10**



**ADJUSTING BOLT  
PART #: 0306139P005A**

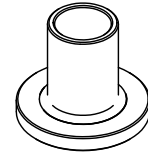
**RH 80**

**FIGURE 12**

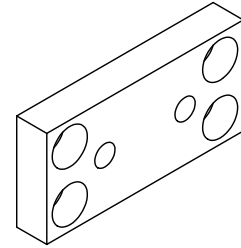


Key #	Part #	Description
14	0306139P1014A	PIN
15	0306139P1015A	BUSHING
16	0306139P1016A	ROLLER
18	0306139P1018A	SHAFT
19	0306139P1019A	PIN
20	0306139P1020A	SPRING SUPPORT

**FIGURE 13**

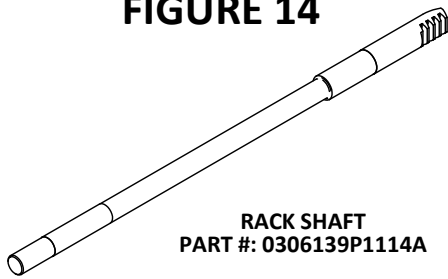


**ROLLER SUPPORT  
PART #: 0306139P1116A**

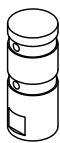


**PLATE  
PART #: 0306139P1107A**

**FIGURE 14**

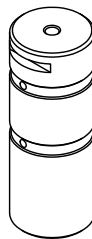


**RACK SHAFT  
PART #: 0306139P1114A**



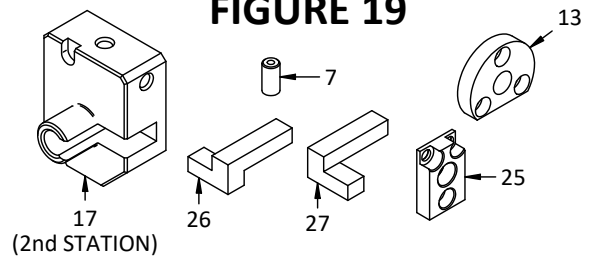
**SECTOR GEAR PIN  
PART #: 0306139P1132A**

**FIGURE 15**



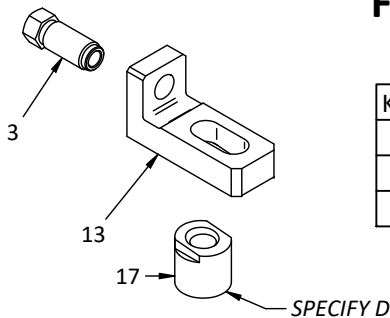
**ROLLER PIN  
PART #: 0306139P1206A**

**FIGURE 19**



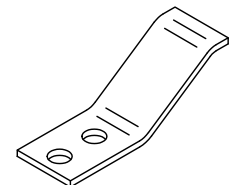
Key #	Part #	Description
7	0306138P1507A	PIN
13	0306138P1513A	HOLDER CAP
17	0306138P1517B	CENTERING BLOCK
25	0306138P1525A	CAP
26	0306138P1526A	FIXING KEY
27	0306138P1527A	FIXING KEY

**FIGURE 20**



Key #	Part #	Description
3	0306138P003A	ADJUSTING SCREW
13	0306138P004A	COTTER
17	0306138P1538B	GUIDE COLLAR

**FIGURE 28**

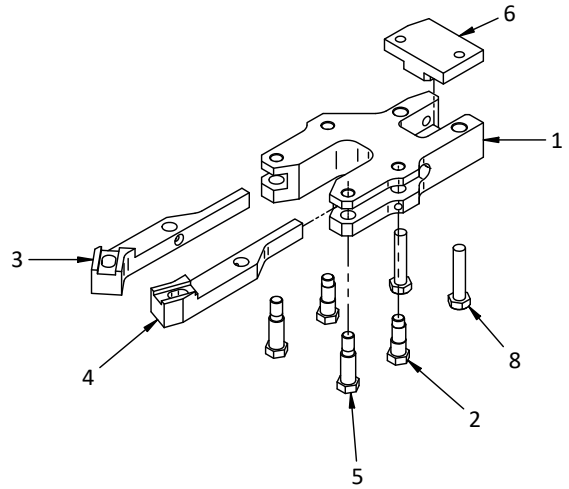


**WIPER PLATE  
PART #: 0306139P007A**

# RH 120

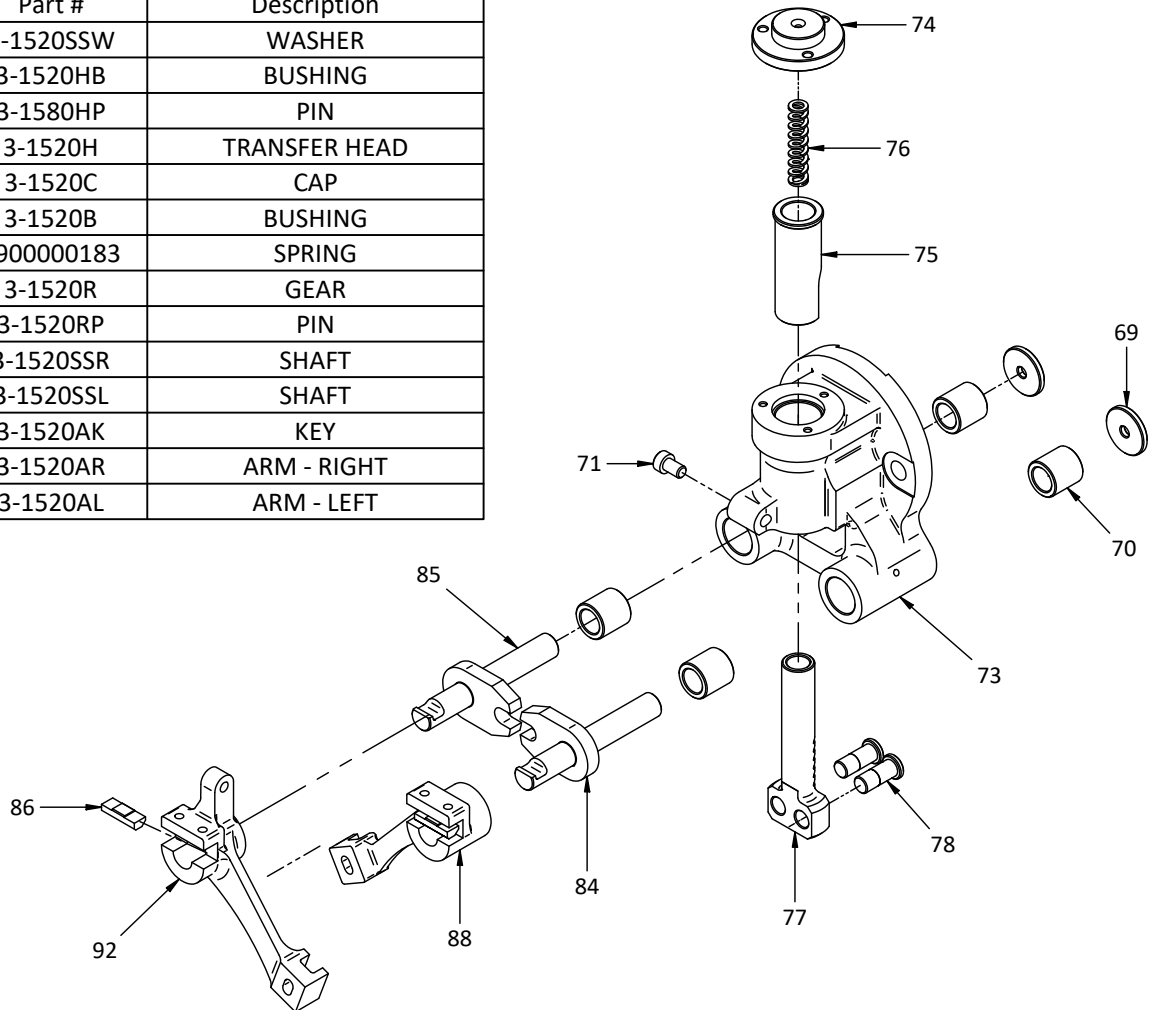
## 1st STATION TRANSFER HEAD

Key #	Part #	Description
1	3-1520TH	TRANSFER HEAD
2	3-1520AP	ADJUSTING PIN
3	3-1520FU	UPPER FINGER HOLDER
4	3-1520FL	LOWER FINGER HOLDER
5	3-1520SB	PIVOT PIN
6	3-1520CL	CLAMP
8	9111AM065	SCREW



## 2nd STATION TRANSFER HEAD

Key #	Part #	Description
69	3-1520SSW	WASHER
70	3-1520HB	BUSHING
71	3-1580HP	PIN
73	3-1520H	TRANSFER HEAD
74	3-1520C	CAP
75	3-1520B	BUSHING
76	9900000183	SPRING
77	3-1520R	GEAR
78	3-1520RP	PIN
84	3-1520SSR	SHAFT
85	3-1520SSL	SHAFT
86	3-1520AK	KEY
88	3-1520AR	ARM - RIGHT
92	3-1520AL	ARM - LEFT



# RH 120

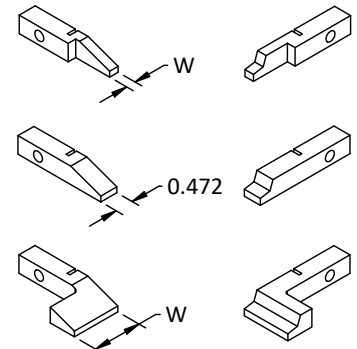
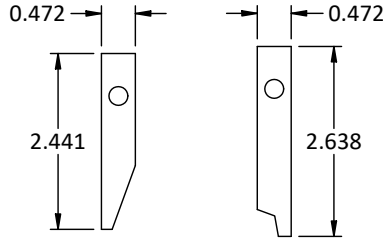
## 1st STATION FINGERS

Detail	Wire Range
A	0.532 / 0.551
B	0.501 / 0.531
C	0.469 / 0.500
D	0.438 / 0.468
E	0.407 / 0.437
F	0.376 / 0.406
G	0.344 / 0.375
H	0.313 / 0.343
I	0.282 / 0.312
J	0.251 / 0.281
K	0.219 / 0.250
L	0.188 / 0.218
M	0.157 / 0.187
N	0.126 / 0.156

LOWER FINGER      UPPER FINGER

Part #: 3-15201L      Part #: 3-15201R

SPECIFY  
- Part #  
- W  
- Detail



Example Part:  
**3-15201L 0312 - A**

Part #      Detail  
W - Width of Nose  
In Inches

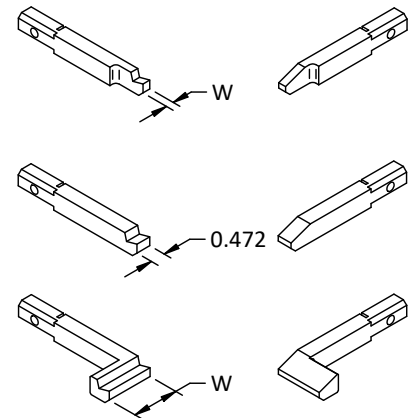
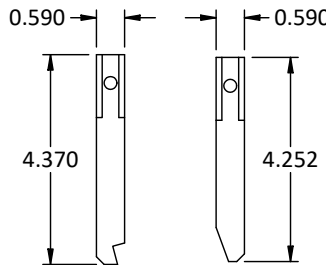
## 2nd STATION FINGERS

Detail	Wire Range
A	0.532 / 0.551
B	0.501 / 0.531
C	0.469 / 0.500
D	0.438 / 0.468
E	0.407 / 0.437
F	0.376 / 0.406
G	0.344 / 0.375
H	0.313 / 0.343
I	0.282 / 0.312
J	0.251 / 0.281
K	0.219 / 0.250
L	0.188 / 0.218
M	0.157 / 0.187
N	0.126 / 0.156

LEFT FINGER      RIGHT FINGER

Part #: 3-15202L      Part #: 3-15202R

SPECIFY  
- Part #  
- W  
- Detail

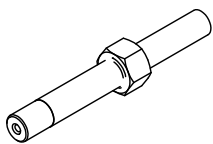


Example Part:  
**3-15202L 0312 - A**

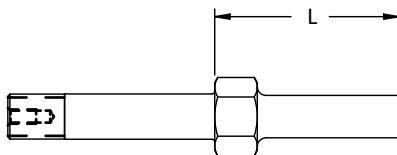
Part #      Detail  
W - Width of Nose  
In Inches

## WIRE STOP

SPECIFY L

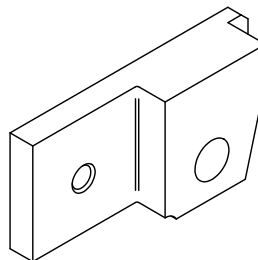


PART #: 3-1520S

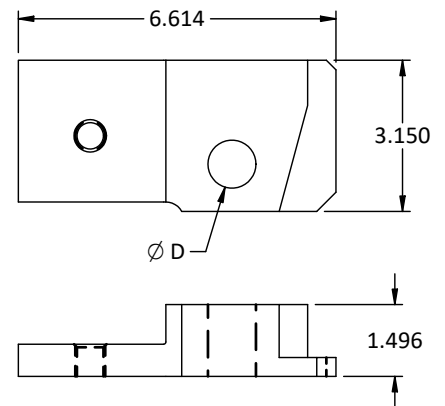


## CUTTER HOLDER

SPECIFY - D

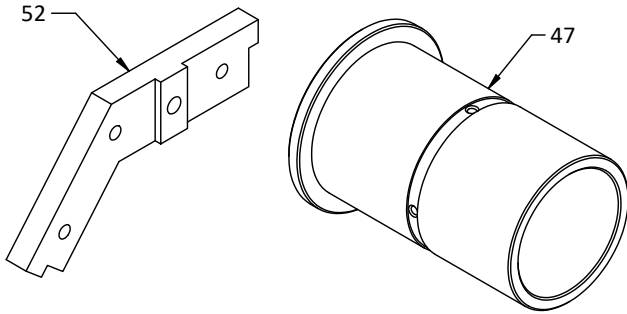


PART #: 3-2220

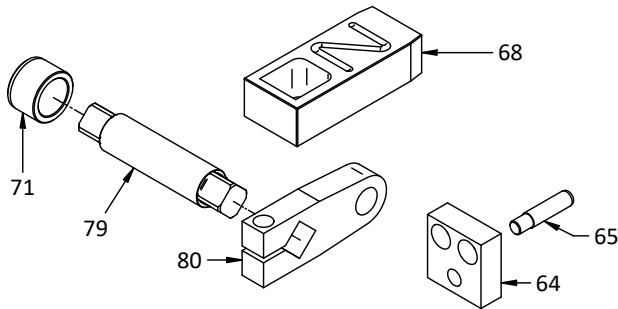


**RH 120**

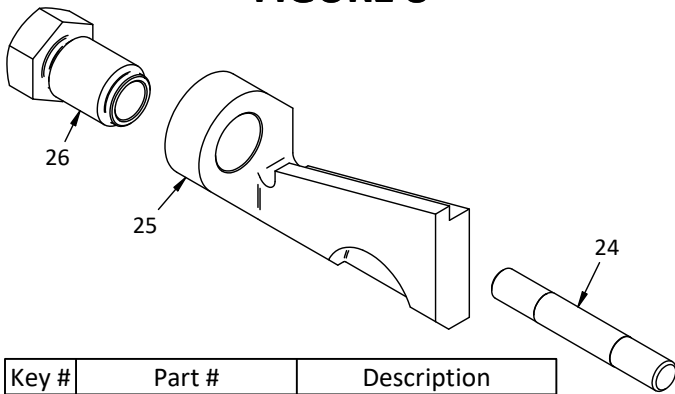
**FIGURE 2**



Key #	Part #	Description
45	0306177P0245A	SHAFT
47	0306177P0219A	BUSHING
50	0306177P0250A	LEVER
51	0306177P0251A	BUSHING
52	0306177P003A	PLATE
64	0306177P0248A	COVER
65	0306177P0249A	SPRING GUIDE PIN
68	0306177P001A	NOTCH

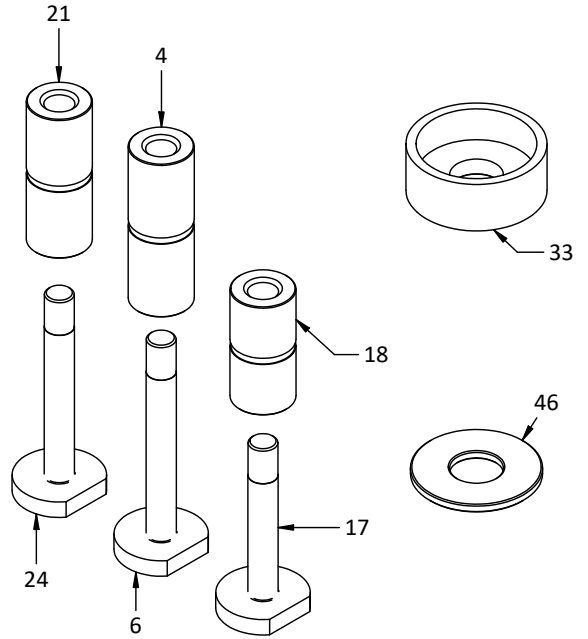


**FIGURE 8**



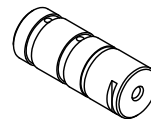
Key #	Part #	Description
24	0306177P1141A	STUD BOLT
25	0306177P0810A	CUTTER HOLDER
26	0306177P0812A	ADJUSTING BOLT

**FIGURE 4**



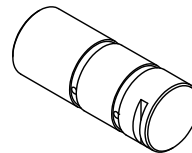
Key #	Part #	Description
4	0306177P0429A	SLEEVE
6	0306177P0420A	BOLT
17	0306177P0424A	BOLT
18	0306177P0423A	SLEEVE
21	0306177P0430A	SLEEVE
24	0306177P0419A	BOLT
33	0306177P0412A	HOLDER
46	0306177P0413A	COLLAR IN SHIFTER

**FIGURE 9**



FOLLOWER PIN  
PART #: 0306177P0905A

**FIGURE 10**



ROLLER FOLLOWER PIN  
PART #: 0306177P1010A



# RH 120

**FIGURE 11**

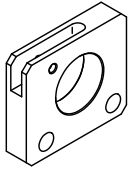
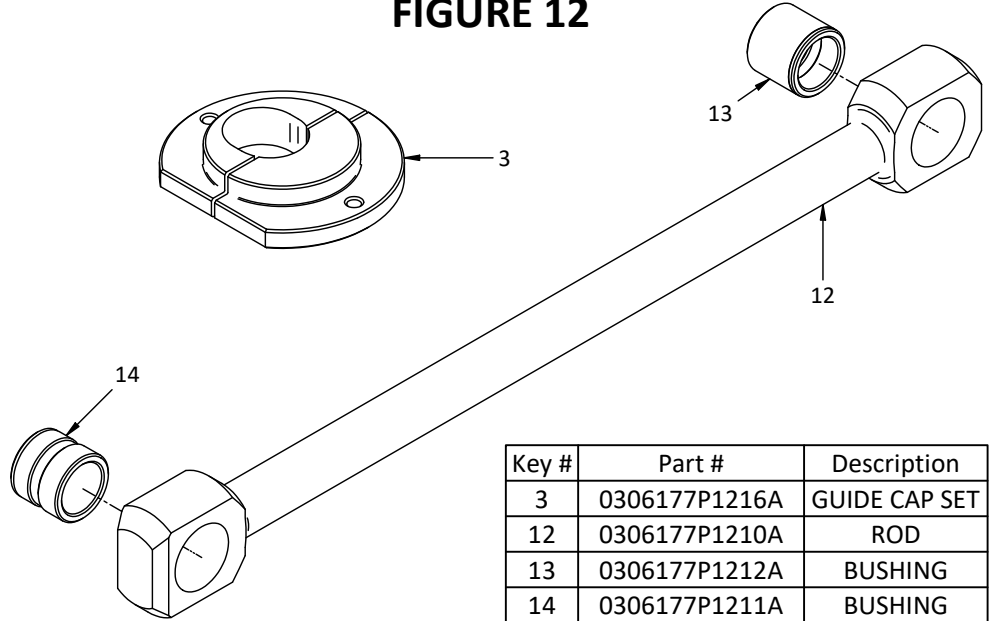


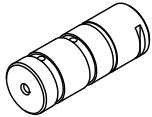
PLATE  
PART #: 0306177P1148A

**FIGURE 12**



Key #	Part #	Description
3	0306177P1216A	GUIDE CAP SET
12	0306177P1210A	ROD
13	0306177P1212A	BUSHING
14	0306177P1211A	BUSHING

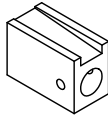
**FIGURE 13**



FOLLOWER PIN  
PART #: 0306177P0905A

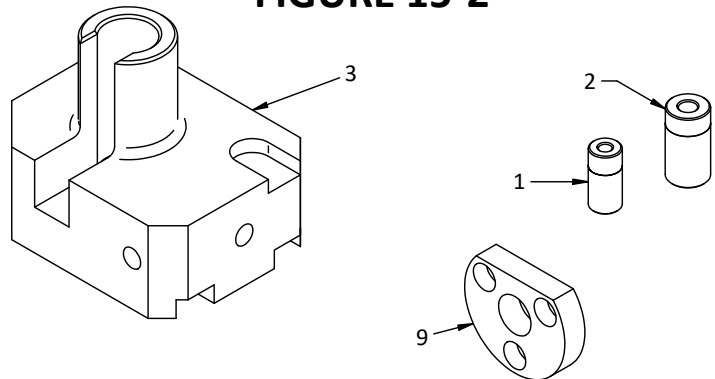
**FIGURE 15-1**

COTTER  
PART #: 0306177P1586A



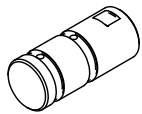
GUIDE COLLAR  
PART #: 0306177P1538A

**FIGURE 15-2**



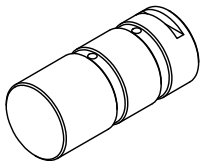
Key #	Part #	Description
1	0306177P1507A	PIN
2	0306177P1516A	PIN
3	0306177P1517A	CENTERING BLOCK - 2nd Sta.
9	0306177P1513A	PUNCH HOLDER CAP

**FIGURE 57**



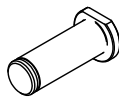
PIN  
PART #: 0306177P5731A

**FIGURE 60**



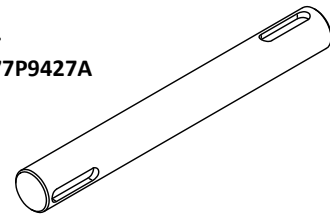
ROLLER PIN  
PART #: 0306177P6007A

PKO LEVER PIN  
PART #: 0306177P6038A



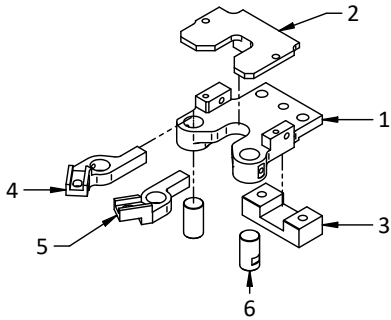
**FIGURE 94**

SHAFT  
PART #: 0306177P9427A



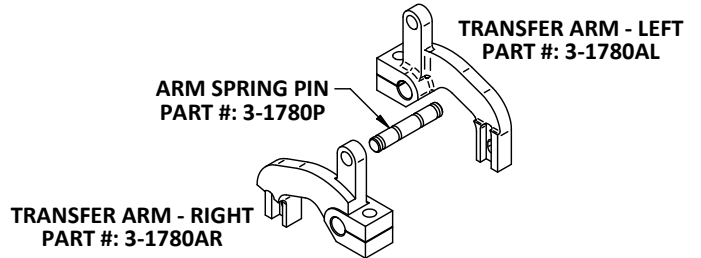
# ORH 80

## 1st STATION TRANSFER HEAD



Key #	Part #	Description
1	3-1780TH	TRANSFER HEAD
2	3-1780THCP	PLATE
3	3-1780THC	CLAMP
4	3-1780FU	UPPER FINGER HOLDER
5	3-1780FL	LOWER FINGER HOLDER
6	3-1780THP	PIN

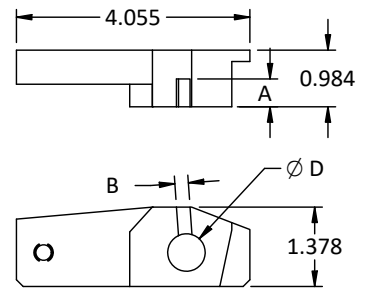
## 2nd STATION TRANSFER ARMS



## CUTTER HOLDER

SPECIFY - A, B, & D

PART #: 3-2280S



## 1st STATION FINGERS

Detail	Wire Range
1	0.282 / 0.315
2	0.251 / 0.281
3	0.219 / 0.250
4	0.188 / 0.218
5	0.157 / 0.187
6	0.126 / 0.156
7	0.094 / 0.125

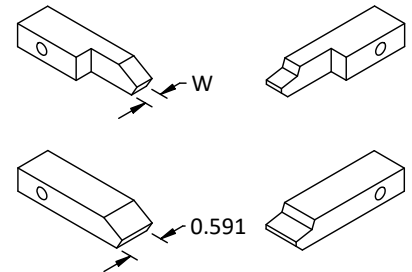
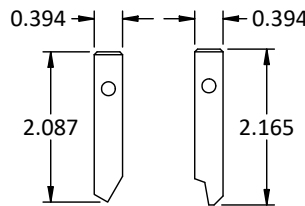
SPECIFY  
- Part #  
- W  
- Detail

Example Part:  
**3-17801L 0312 - 1**

Part #  
W - Width of Nose  
In Inches  
Detail

LOWER FINGER      UPPER FINGER

Part #: 3-17801L    Part #: 3-17801U



## 2nd STATION FINGERS

Detail	Wire Range
1	0.282 / 0.315
2	0.251 / 0.281
3	0.219 / 0.250
4	0.188 / 0.218
5	0.157 / 0.187
6	0.126 / 0.156
7	0.094 / 0.125

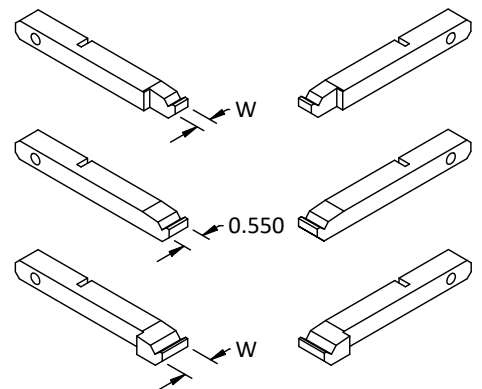
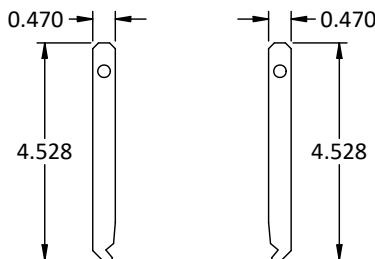
SPECIFY  
- Part #  
- W  
- Detail

Example Part:  
**3-17802L 0312 - 1**

Part #  
W - Width of Nose  
In Inches  
Detail

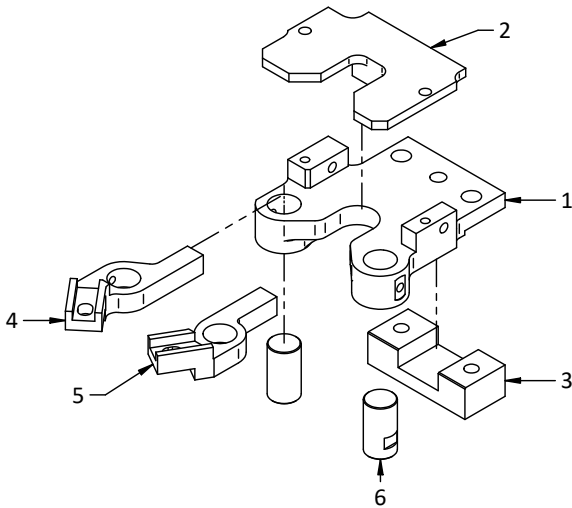
LEFT FINGER      RIGHT FINGER

Part #: 3-17802L    Part #: 3-17802R



# ORH 120

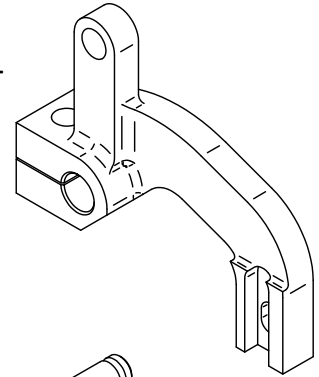
## 1st STATION TRANSFER HEAD



Key #	Part #	Description
1	3-1720TH	TRANSFER HEAD
2	3-1720THCP	PLATE
3	3-1720THC	CLAMP
4	3-1720FU	UPPER FINGER HOLDER
5	3-1720FL	LOWER FINGER HOLDER
6	3-1720THP	PIN

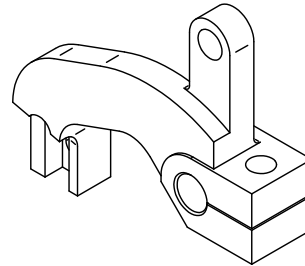
## 2nd STATION TRANSFER ARMS

TRANSFER ARM - LEFT  
PART #: 3-1720AL



ARM SPRING PIN  
PART #: 3-1720P

TRANSFER ARM - RIGHT  
PART #: 3-1720AR



## 1st STATION FINGERS

Detail	Wire Range
A	0.532 / 0.551
B	0.501 / 0.531
C	0.469 / 0.500
D	0.438 / 0.468
E	0.407 / 0.437
F	0.376 / 0.406
G	0.344 / 0.375
H	0.313 / 0.343
I	0.282 / 0.312
J	0.251 / 0.281
K	0.219 / 0.250
L	0.188 / 0.218
M	0.157 / 0.187
N	0.126 / 0.156

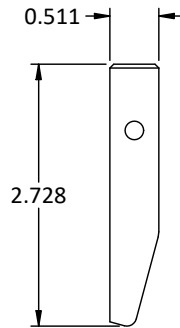
SPECIFY  
- Part #  
- W  
- Detail

Example Part:  
**3-17201L 0312 - A**

Part #      ↑      Detail  
W - Width of Nose  
Inches      ↑

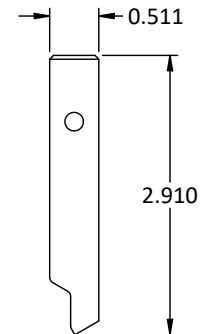
LOWER FINGER

Part #: 3-17201L

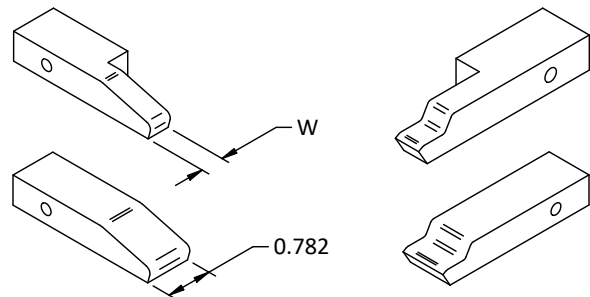


UPPER FINGER

Part #: 3-17201U



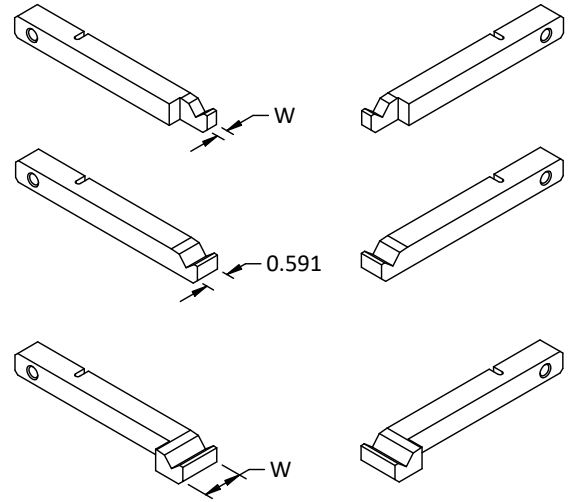
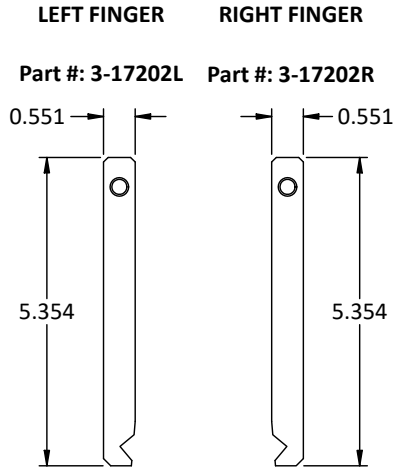
SPECIFY  
- PART #  
- W



# ORH 120

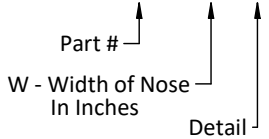
## 2nd STATION FINGERS

Detail	Wire Range
A	0.532 / 0.551
B	0.501 / 0.531
C	0.469 / 0.500
D	0.438 / 0.468
E	0.407 / 0.437
F	0.376 / 0.406
G	0.344 / 0.375
H	0.313 / 0.343
I	0.282 / 0.312
J	0.251 / 0.281
K	0.219 / 0.250
L	0.188 / 0.218
M	0.157 / 0.187
N	0.126 / 0.156



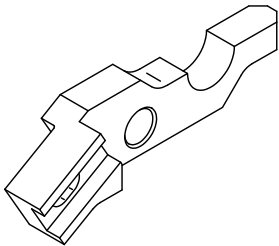
**Example Part:**

**3-17202L 0312 - A**

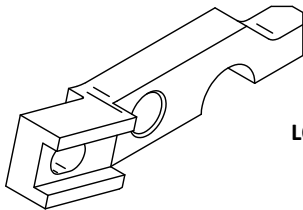


*SPECIFY*  
 - Part #  
 - W  
 - Detail

## FINGER HOLDER



**UPPER FINGER HOLDER**  
 PART #: 3-1720FUA

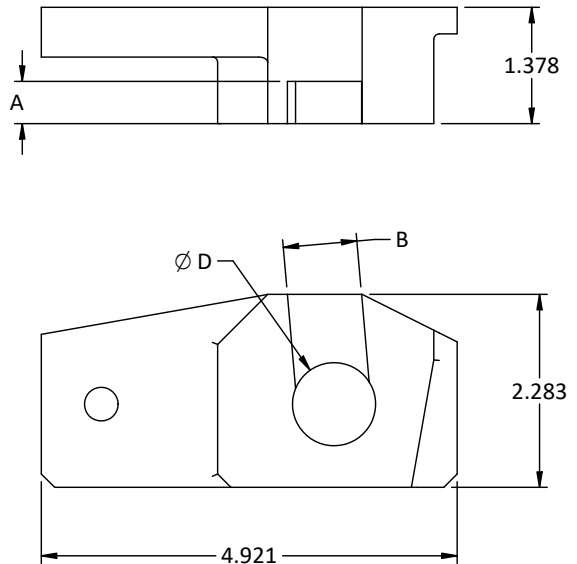


**LOWER FINGER HOLDER**  
 PART #: 3-1720FLA

## CUTTER HOLDER

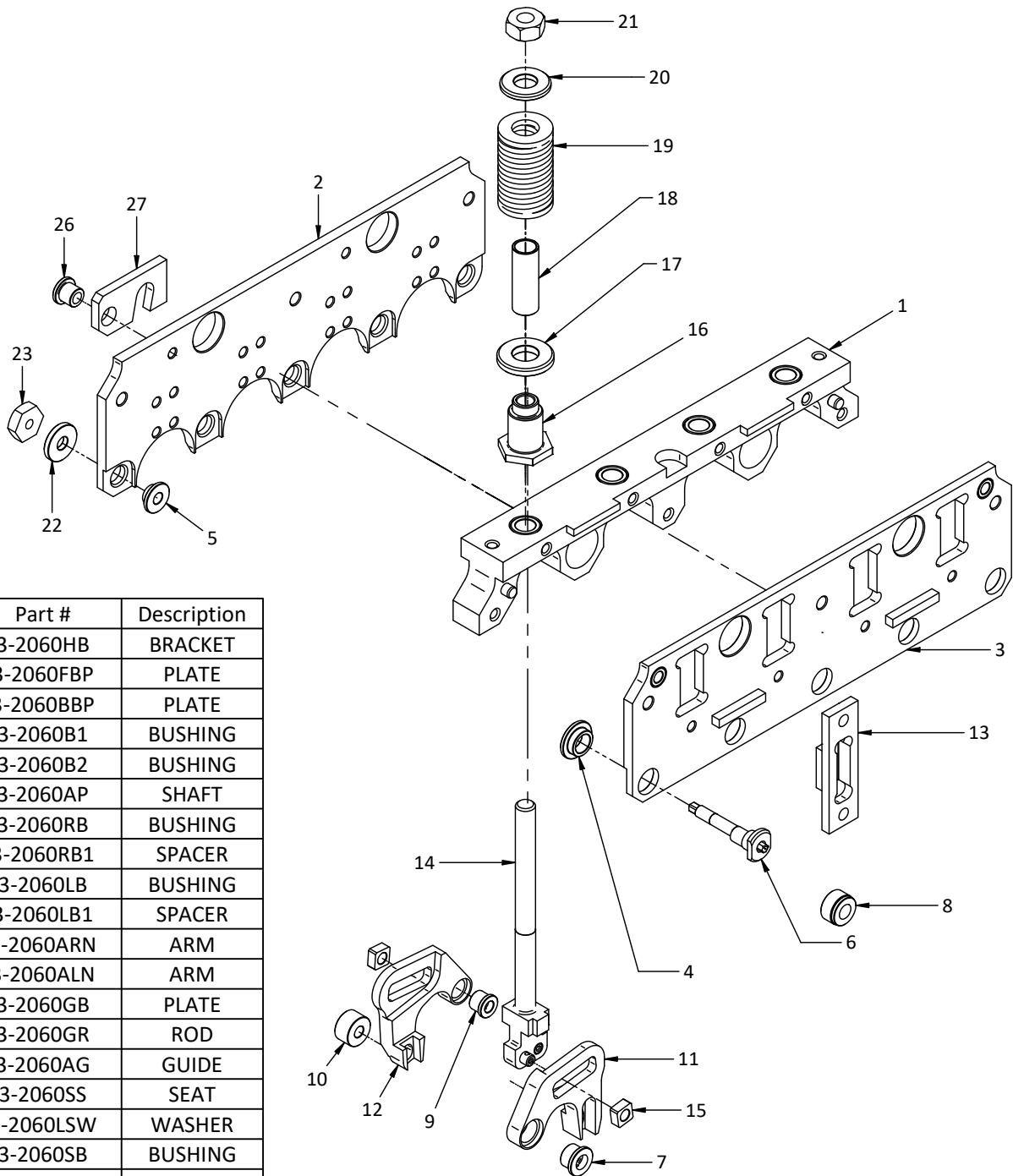
*SPECIFY - A, B, & D*

**PART #:**  
**3-2213**



# AQ 610, 635, 655, & 675

## TRANSFER CASSETTE



Key #	Part #	Description
1	3-2060HB	BRACKET
2	3-2060FBP	PLATE
3	3-2060BBP	PLATE
4	3-2060B1	BUSHING
5	3-2060B2	BUSHING
6	3-2060AP	SHAFT
7	3-2060RB	BUSHING
8	3-2060RB1	SPACER
9	3-2060LB	BUSHING
10	3-2060LB1	SPACER
11	3-2060ARN	ARM
12	3-2060ALN	ARM
13	3-2060GB	PLATE
14	3-2060GR	ROD
15	3-2060AG	GUIDE
16	3-2060SS	SEAT
17	3-2060LSW	WASHER
18	3-2060SB	BUSHING
19	3-2060S	SPRING
20	3-2060USW	WASHER
21	9900000017	NUT
22	3-2060APW	WASHER
23	3-2060APN	NUT
26	3-2060LPB	BUSHING
27	3-2060LP	PLATE

# AQ 810, 855, & 875

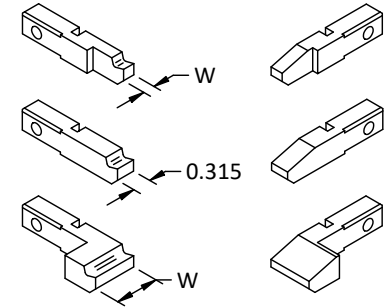
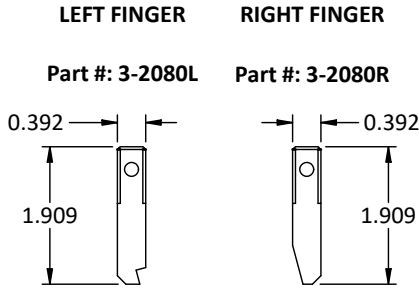
## TRANSFER FINGERS

Detail	Wire Range
1	0.282 / 0.315
2	0.251 / 0.281
3	0.219 / 0.250
4	0.188 / 0.218
5	0.157 / 0.187
6	0.126 / 0.156
7	0.094 / 0.125

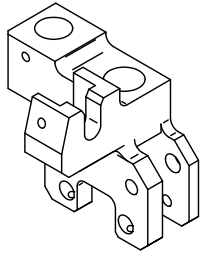
**Example Part:**  
**3-2080L 0312 - 1**

Part #      Detail  
 W - Width of Nose  
 In Inches

**SPECIFY**  
 - Part #  
 - W  
 - Detail

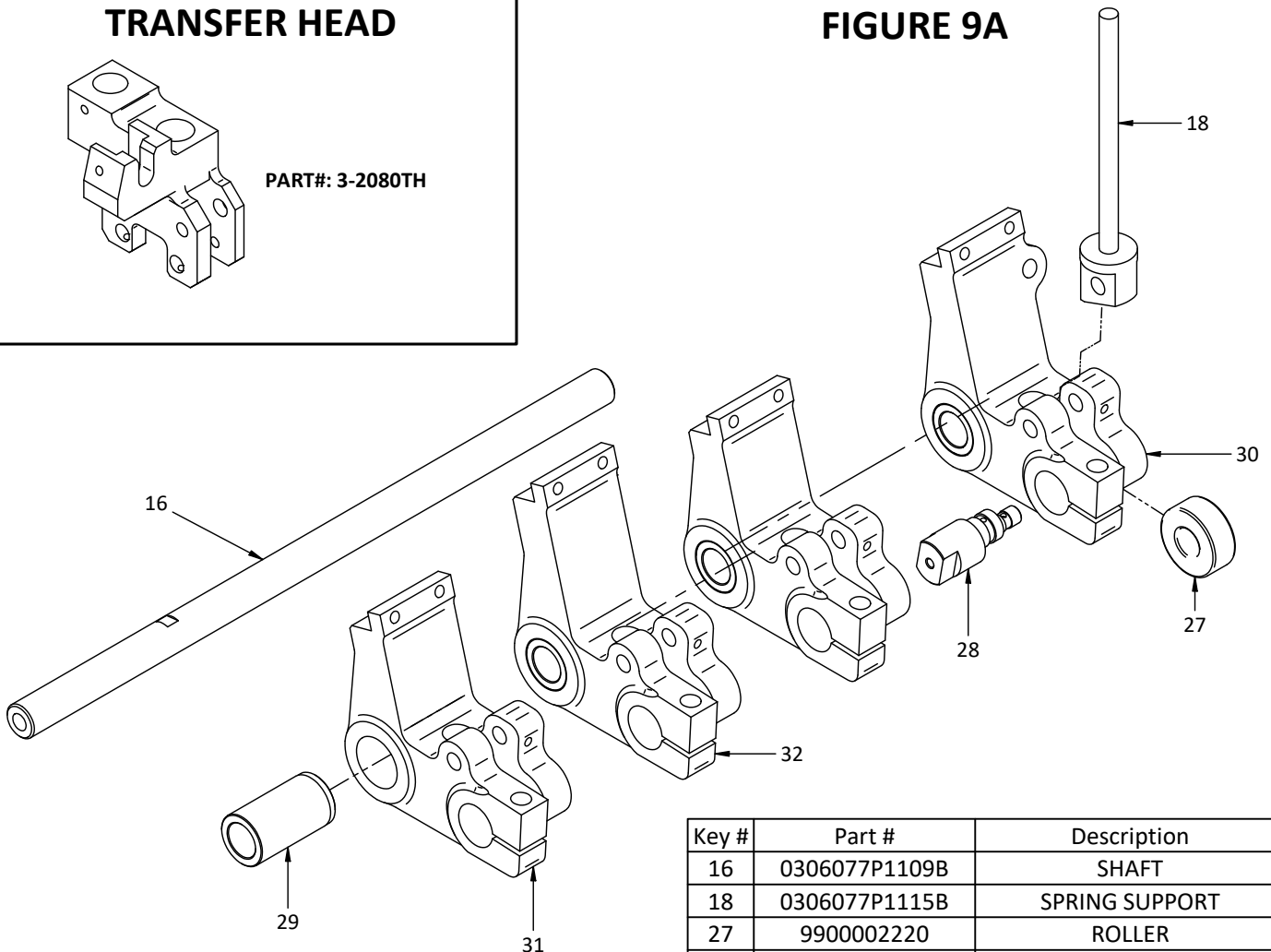


## TRANSFER HEAD



**PART#: 3-2080TH**

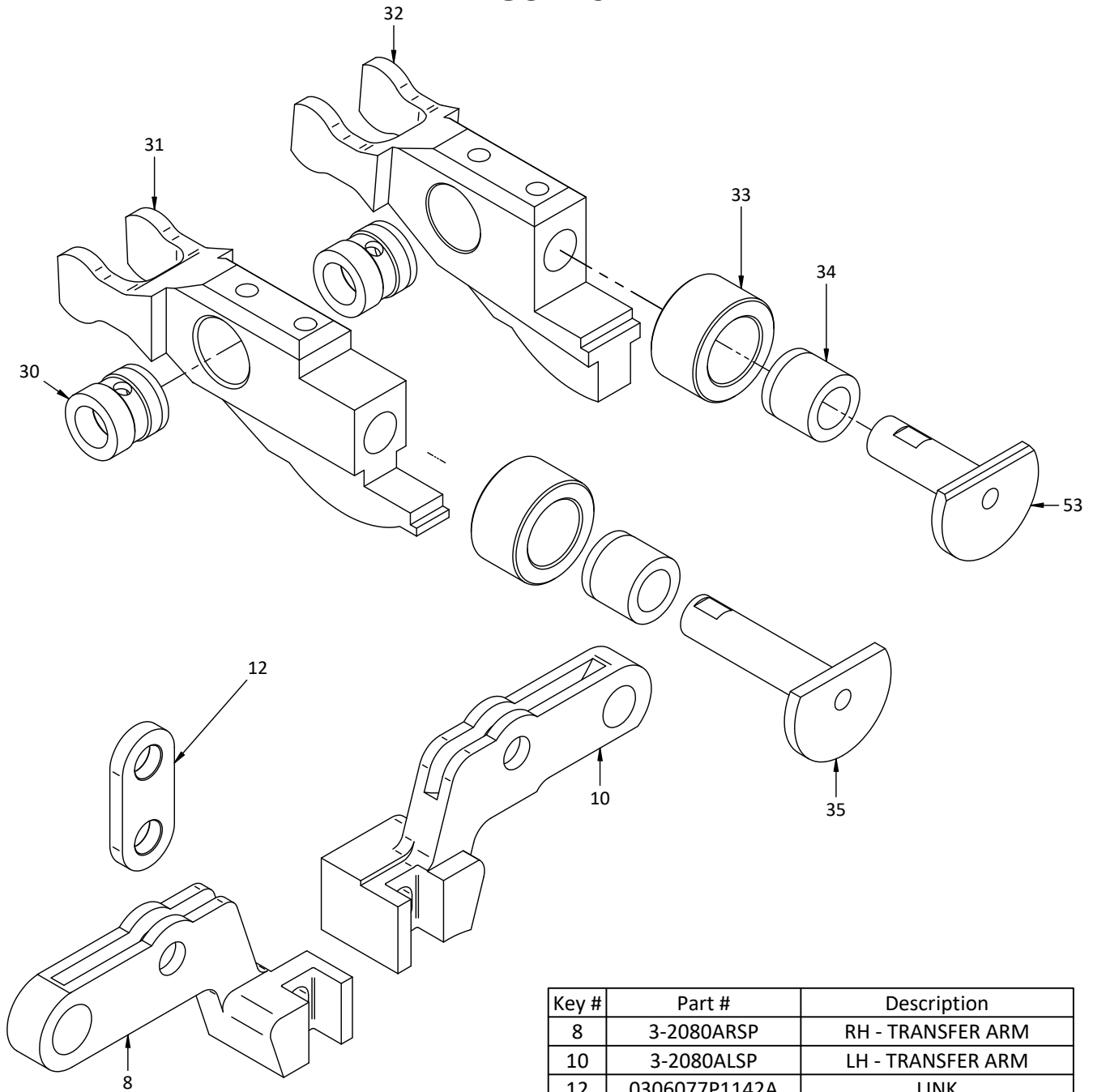
## FIGURE 9A



Key #	Part #	Description
16	0306077P1109B	SHAFT
18	0306077P1115B	SPRING SUPPORT
27	9900002220	ROLLER
28	0306077P1113C	PIN
29	0306077P1110A	BUSHING
30	0306077P1105A	LEVER
31	0306077P1104A	LEVER
32	0306077P1165A	LEVER

**AQ 810, 855, & 875**

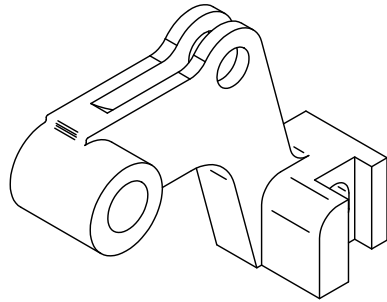
**FIGURE 9B**



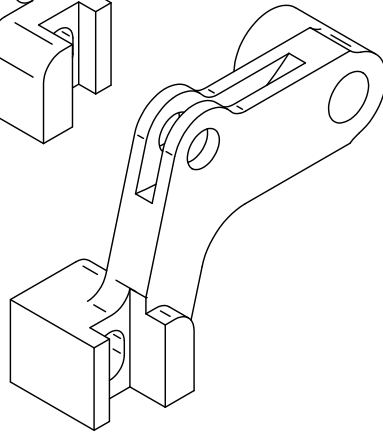
Key #	Part #	Description
8	3-2080ARSP	RH - TRANSFER ARM
10	3-2080ALSP	LH - TRANSFER ARM
12	0306077P1142A	LINK
30	0306077P1130B	BUSHING
31	3-1129	OPEN LEVER
32	3-1128	OPEN LEVER
33	0306077P1131B	ROLLER
34	0306077P1132B	BUSHING
35	0306077P1133B	PIN
53	0306077P1167B	PIN

# AQ 1010, 1013, & 1075

PART #: 3-2010AL

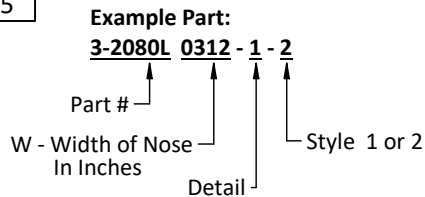
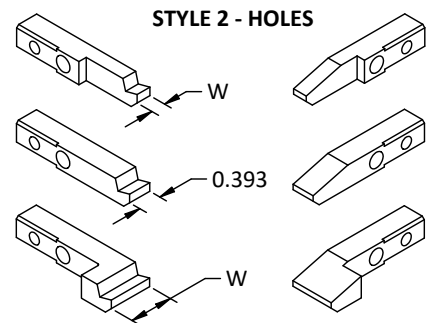
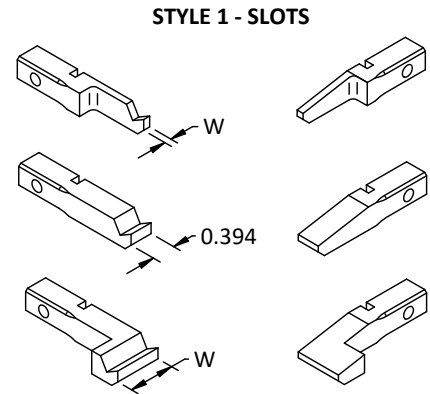
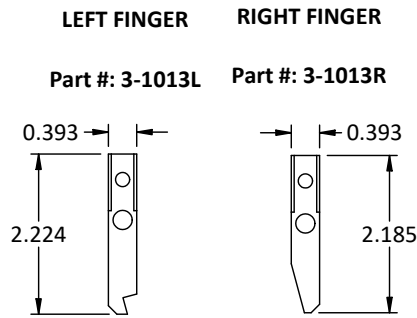


PART #: 3-2010AR



Detail	Wire Range
A	0.376 / 0.393
B	0.344 / 0.375
C	0.313 / 0.343
D	0.282 / 0.312
E	0.251 / 0.281
F	0.219 / 0.250
G	0.188 / 0.218
H	0.157 / 0.187
I	0.126 / 0.156
J	0.094 / 0.125
N	0.570 / 0.591
P	0.538 / 0.569
T	0.506 / 0.537
V	0.474 / 0.505

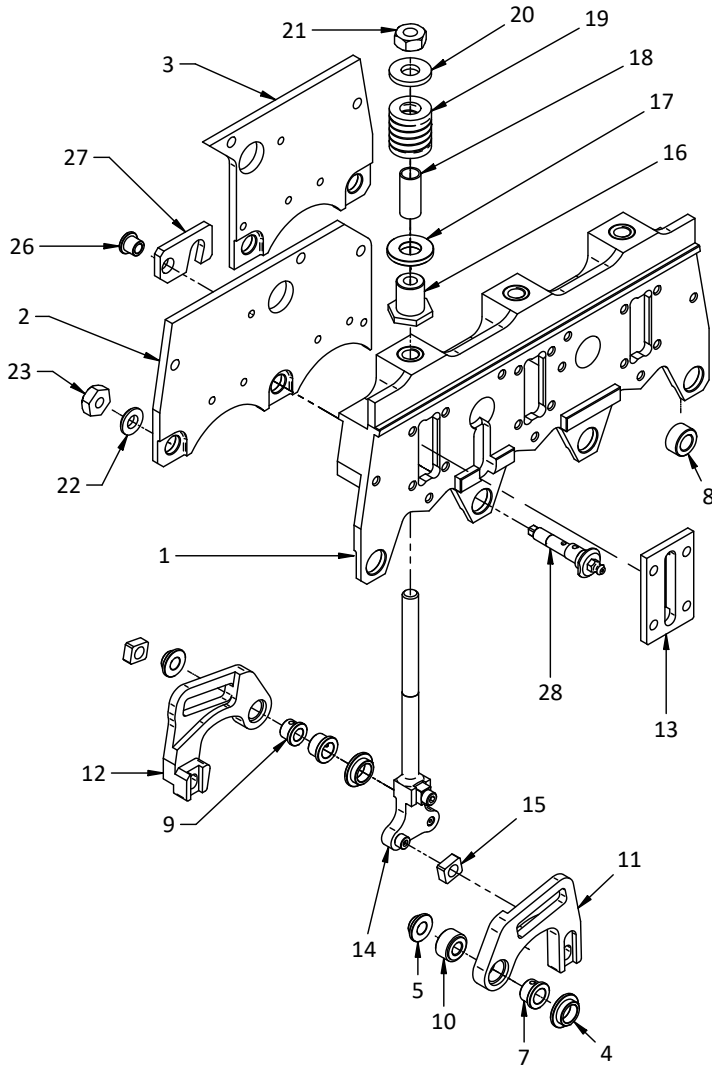
## TRANSFER FINGERS



SPECIFY  
 - Part #  
 - W  
 - Detail

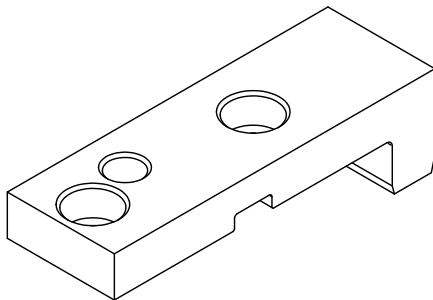


# ST 10



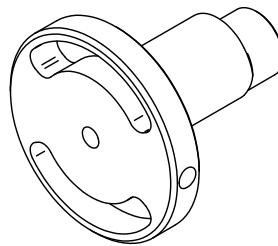
Key #	Part #	Description
1	3-2010BBP	SLIDE
2	3-2010FBP-A	PLATE A
3	3-2010FBP-B	PLATE B
4	3-2010B1	BUSHING
5	3-2010B2	BUSHING
7	3-2010RB	RIGHT ARM BUSHING
8	3-2010LB1	SPACER
9	3-2010LB	LEFT ARM BUSHING
10	3-2010RB1	SPACER
11	3-2010ARN	RH TRANSFER ARM
12	3-2010ALN	LH TRANSFER ARM
13	3-2010GB	GUIDE BLOCK
14	3-2010GR	GUIDE ROD
15	3-2010AG	GUIDE BLOCK
16	3-2010SS	SPRING SEAT
17	3-2010LSW	LOWER SPRING WASHER
18	3-2010SB	SPRING BUSHING
19	9900001747	SPRING
20	9900001748	WASHER
21	9163AM0100150	NUT
22	9198A000166	WASHER
23	3-2010APN	NUT
26	3-2010LPB	LOCKING PLATE BUSHING
27	3-2010LP	LOCKING PLATE
28	3-2010AP01	PIVOT PIN

**FIGURE 11-4**



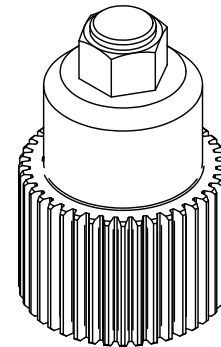
**HOOK**  
PART #: 0306076P1147A

**FIGURE 12**



**PIN**  
PART #: 0306076P1233A

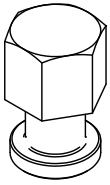
**FIGURE 15**



**ADJUST NUT**  
PART #: 0306076P1537A

**ST 1210 , 1215**

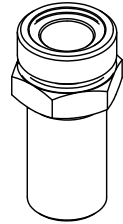
**MISC.**



**ADJUST NUT**  
PART #: 0306174P005A



**TONGUE**  
PART #: 0306174P014A



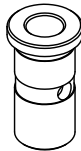
**ADJUSTING BOLT**  
PART #: 0306174P004A

**FIGURE 11-4**



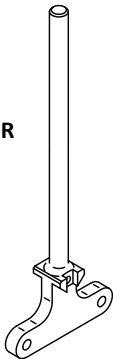
**SLIDER**  
PART #: 3-2012AG

**BUSHING**  
PART #: 0306174P1155B

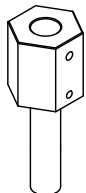


**CYLINDER HEAD**  
PART #: 0306174P1182A

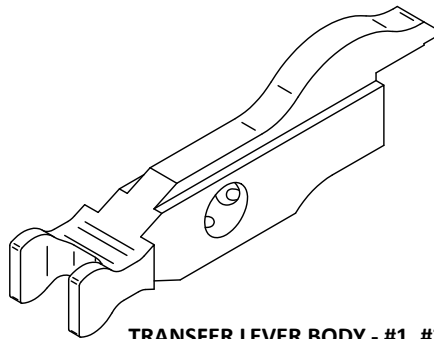
**GUIDE ROD**  
PART #: 3-2012GR



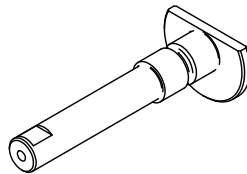
**STOPPER HOLDER**  
PART #: 0306174P016A



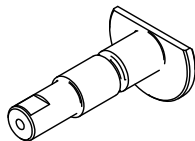
**FIGURE 11-1**



**TRANSFER LEVER BODY - #1, #3**  
PART #: 0306174P1123A



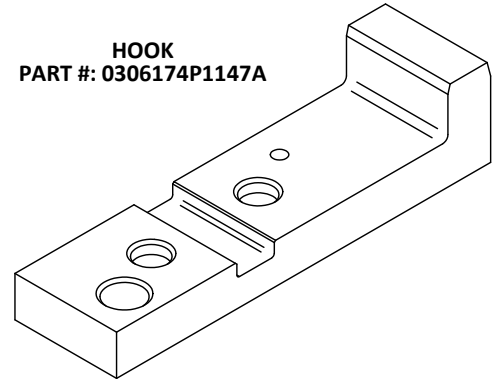
**ROLLER PIN - #1 & 3**  
PART #: 0306174P006A



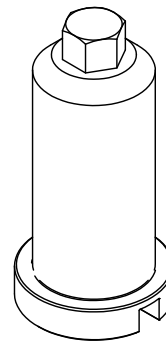
**ROLLER PIN - #2**  
PART #: 0306174P006B

**FIGURE 11-3**

**HOOK**  
PART #: 0306174P1147A



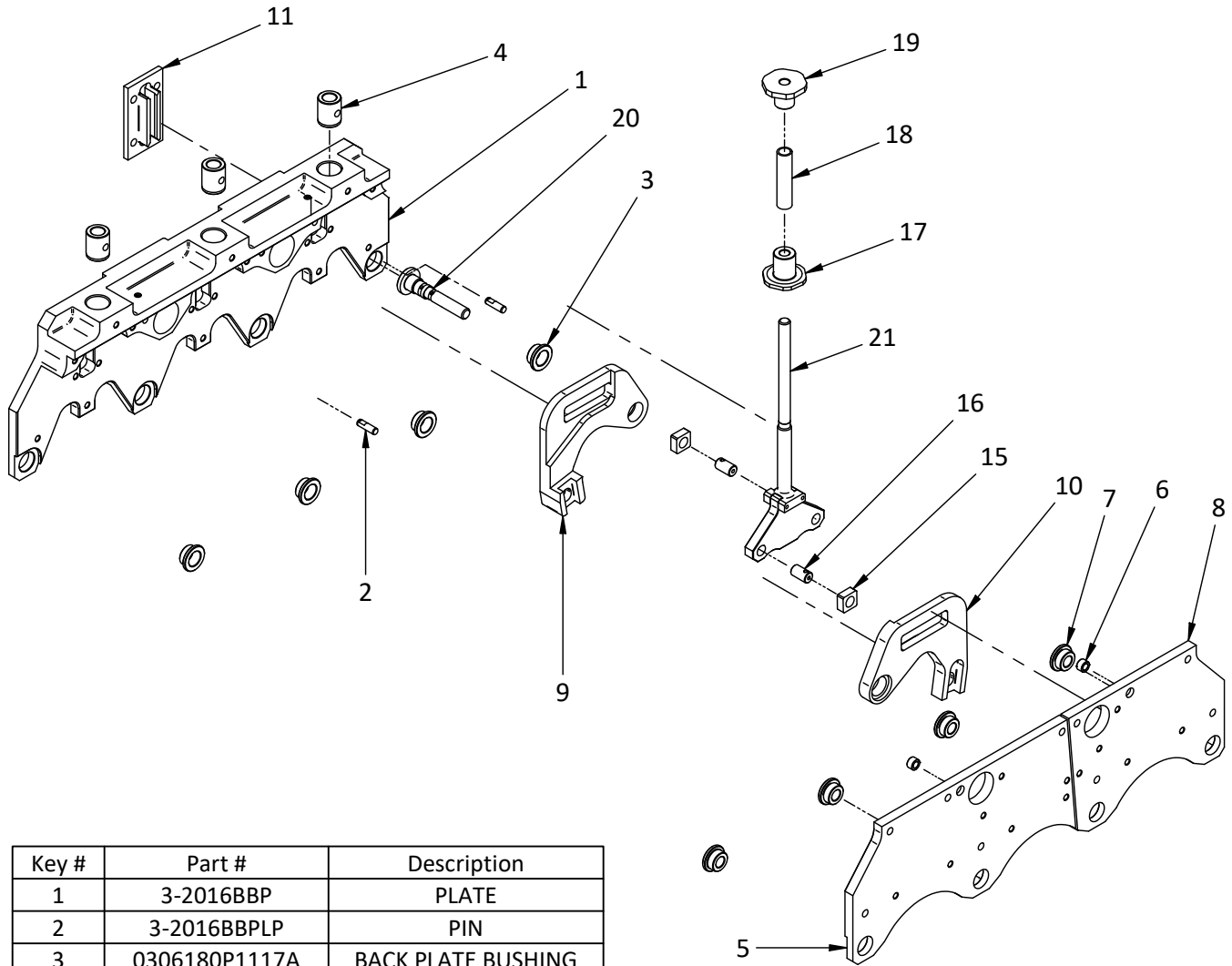
**FIGURE 15-2**



**ADJUST NUT - PUNCH HOLDER**  
PART #: 0306174P1541A

**ST-16**

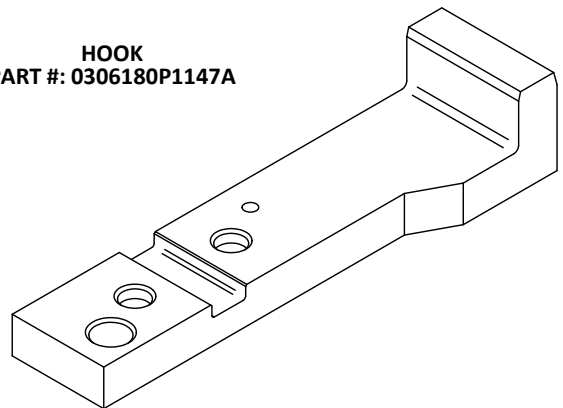
**FIGURE 11-4**



Key #	Part #	Description
1	3-2016BBP	PLATE
2	3-2016BBPLP	PIN
3	0306180P1117A	BACK PLATE BUSHING
4	3-2016B4	BUSHING
5	3-2016FBP01	PLATE
6	8486A415	BUSHING
7	0306180P1116B	FRONT PLATE BUSHING
8	3-2016FBP02	PLATE
9	3-2016ALN	ARM
10	3-2016ARN	ARM
11	3-2016GB	GUIDE
15	3-2016AG	BLOCK
16	3-2016GRP	PIN
17	0306180P1139B	RING
18	0306180P1151A	COLLAR
19	0306180P1153A	COLLAR
20	3-2016AP	PIN
21	3-2016GRA	ASSEMBLY

**FIGURE 11-5**

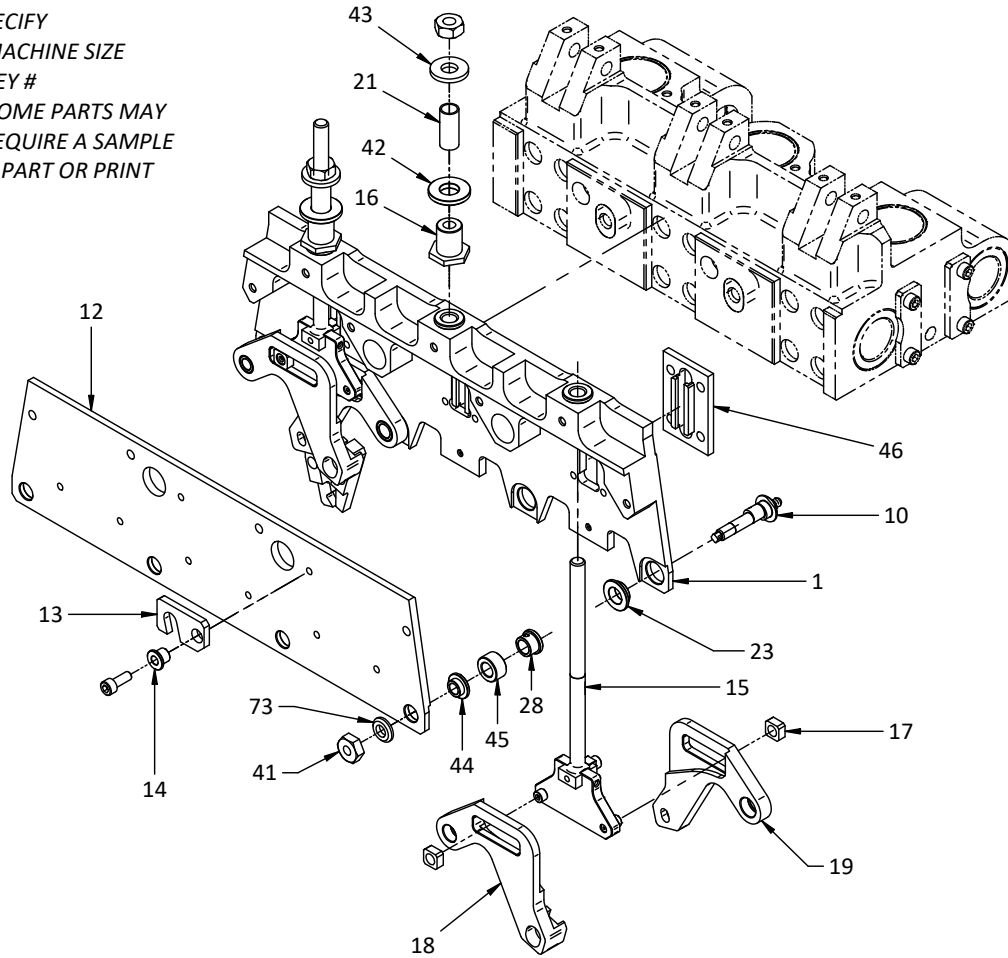
**HOOK**  
**PART #: 0306180P1147A**



# AQ 12 TRANSFER ASSEMBLY

**FIGURE 11**

SPECIFY  
 - MACHINE SIZE  
 - KEY #  
 SOME PARTS MAY  
 REQUIRE A SAMPLE  
 PART OR PRINT



Key #	Part #	Description	Key #	Part #	Description
1	3-2012BBP	PLATE	43	9900001748	WASHER
10	3-2010AP01	PIN	44	3-2010B2	BUSHING
12	3-2012FBP-A	FRONT PLATE	45	0306174P1178A	BUSHING
13	3-2010LP	LOCKING PLATE	46	3-2012GB	PLATE
14	3-2010LPB	LOCKING PLATE BUSHING	73	9198A000166	WASHER
15	3-2012GRA01	ROD			
16	3-2010SS	SPRING SEAT			
17	3-2012AG	BLOCK			
18	3-2012ALN	LEFT TRANSFER ARM			
19	3-2012ARN	RIGHT TRANSFER ARM			
21	3-2010SB	SPRING BUSHING			
23	3-2010B1	BUSHING			
28	3-2010RB	RIGHT ARM BUSHING			
41	3-2012APN	NUT			
42	3-2010LSW	LOWER SPRING WASHER			

**FIGURE 14**

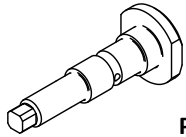
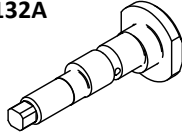
ATTACK PIECE  
 PART #: 0306174P6005A



# AQ 1210

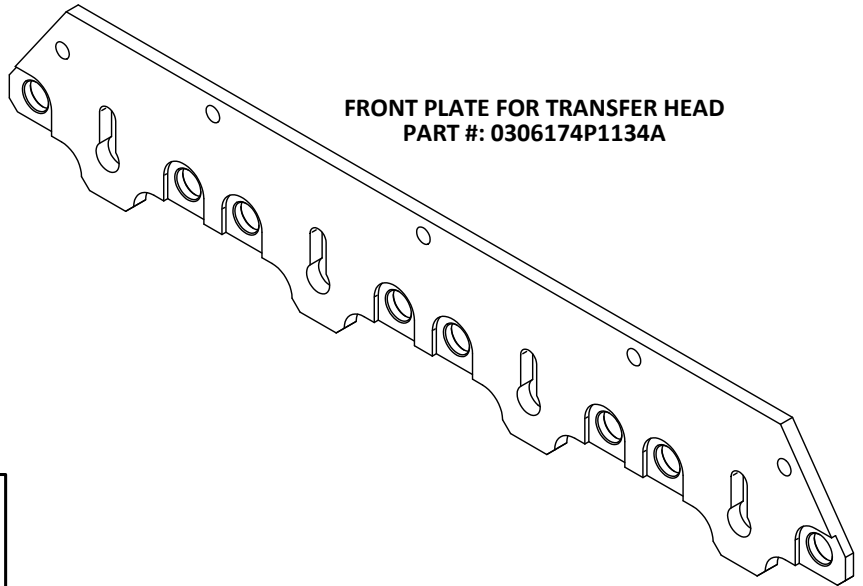
## FIGURE 11-1

ECCENTRIC PIN  
PART #: 0306174P1132A

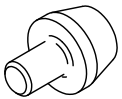


PIN  
PART #: 0306174P1131A

FRONT PLATE FOR TRANSFER HEAD  
PART #: 0306174P1134A



## FIGURE 9A

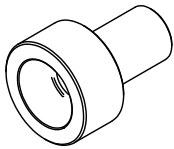
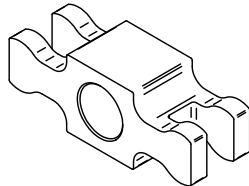


LOCK PIN  
PART #: 0306174P1159A

# AQ 1210-3

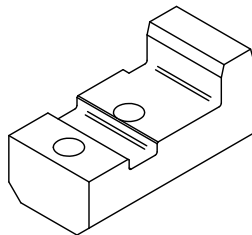
## FIGURE 9

LEVER  
PART #: 0306174P1164B



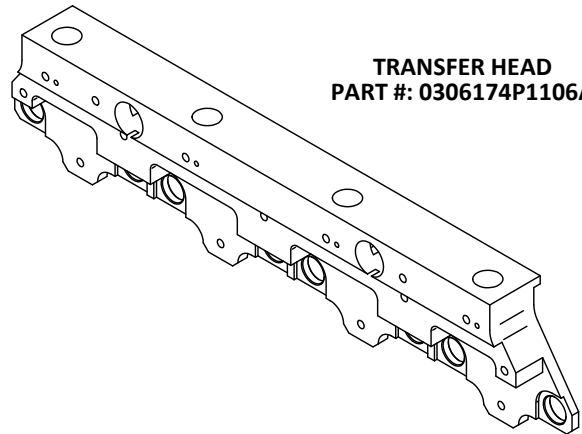
HOOK  
PART #: 0306174P1147D

PIN  
PART #: 0306174P1158D



## FIGURE 11-1

TRANSFER HEAD  
PART #: 0306174P1106A



**AQ 1215**

**FIGURE 9B**

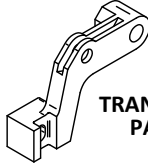
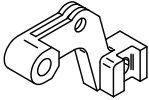
**PIN**  
PART #: 0306174P1131B



**ADJUSTING PIN**  
PART #: 0306174P1132B

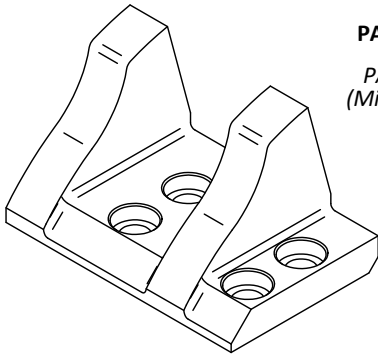


**TRANSFER ARM - LEFT**  
PART #: 3-2012AL



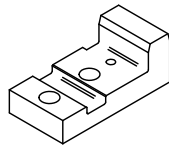
**TRANSFER ARM - RIGHT**  
PART #: 3-2012AR

**FIGURE 15-2**



**PKO CAM**  
PART #: 0306174P6020A

PART#: 0306174P6021A  
(Mirrored version of 6020A)  
also available

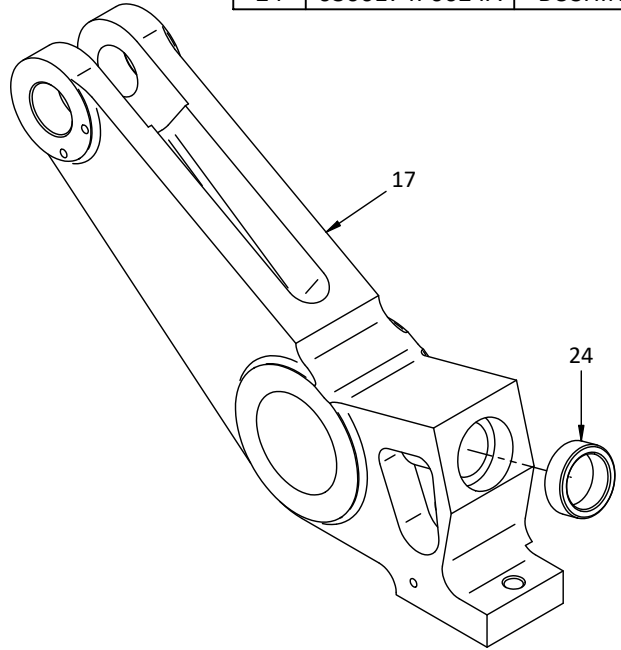


**HOOK**  
PART #: 0306174P1147B

**AQ 1215-3**

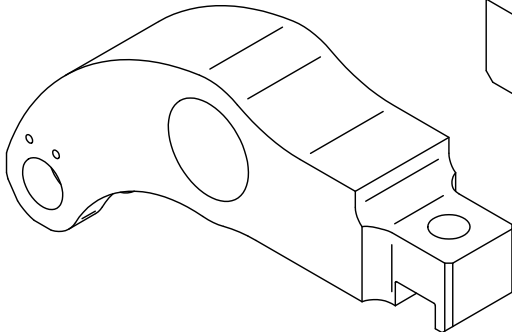
**FIGURE 5B**

Key #	Part #	Description
17	0306174P0617A	LEVER
24	0306174P0624A	BUSHING

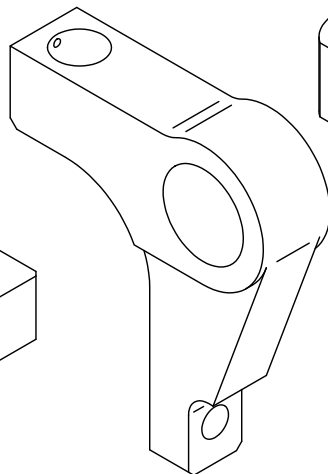


**AQ 1210-3 / AQ 1215-4**

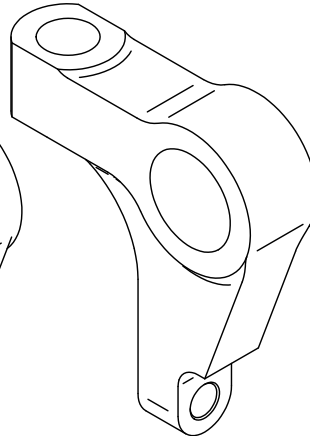
**UPPER PKO LEVER**  
PART #: 0306174P6060A



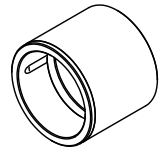
**LOWER PKO LEVER**  
PART #: 0306174P6004A



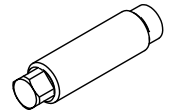
**PKO LEVER**  
PART #: 0306174P6004B



**LEVER BUSHING**  
PART #: 0306174P6007B



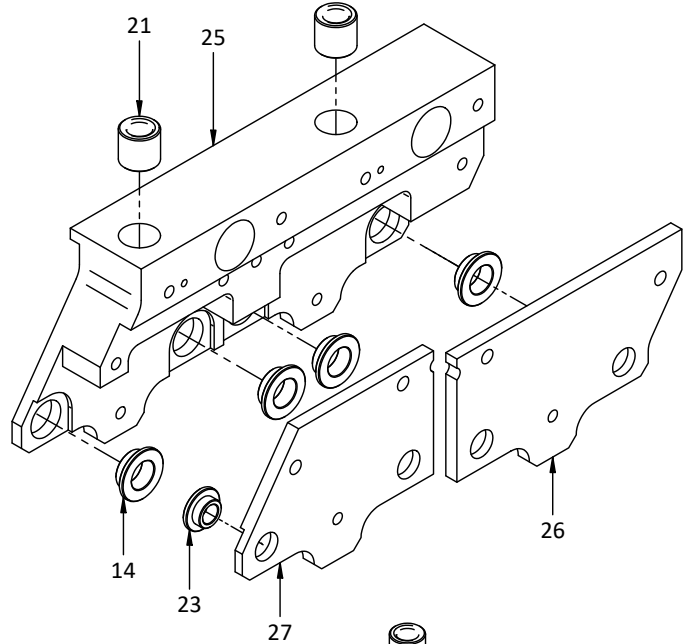
**BOLT**  
PART #: 0306174P1403A



# AQ 1215-4

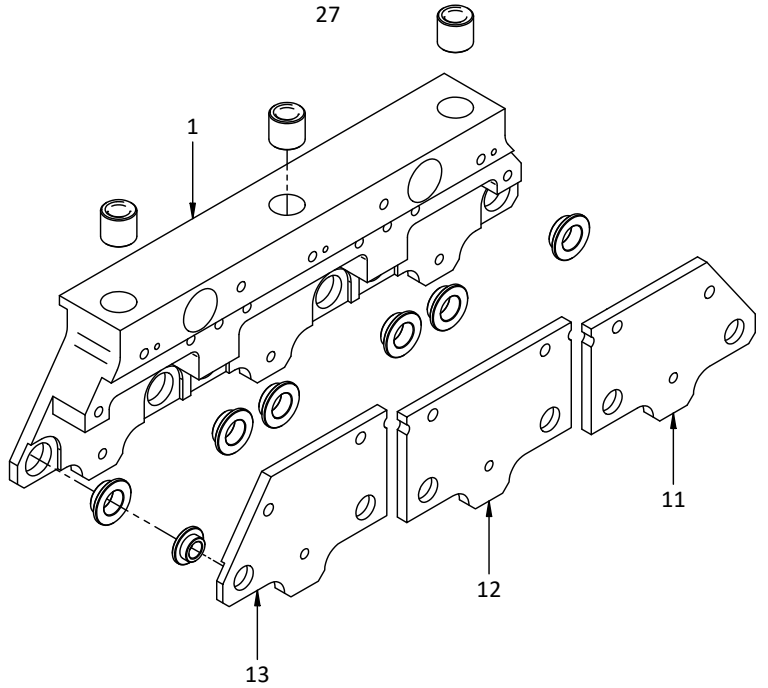
## 2 STATION

Key #	Part #	Description
14	0306174P1173A	BUSHING
21	0306174P1155A	BUSHING
23	0306174P1174A	BUSHING
25	0306174P1190A	BACK PLATE
26	0306174P1191A02	RIGHT FRONT PLATE
27	0306174P1191A01	LEFT FRONT PLATE

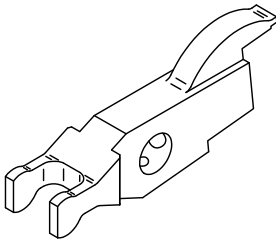


## 3 STATION

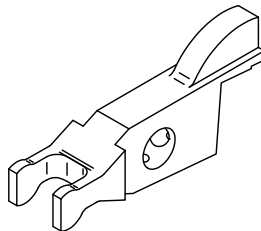
Key #	Part #	Description
1	0306174P1106B	BACK PLATE
11	0306174P1134B02	RIGHT FRONT PLATE
12	0306174P1134B01	CENTER PLATE
13	0306174P1191A01	LEFT FRONT PLATE



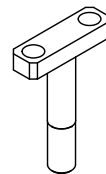
**OPEN LEVER**  
PART #: 0306174P1123B



**OPEN LEVER**  
PART #: 0306174P1124A

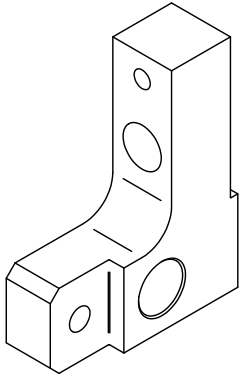


**BOLT**  
PART #: 0306174P1158B



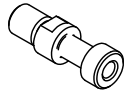
# AQ 1215-4

**FIGURE 7**

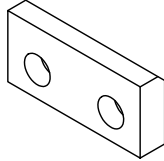


**PIN HOLDER**  
PART #: 0306174P0711B

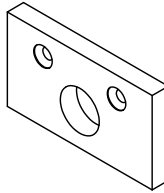
**FIGURE 8-1**



**PIN**  
PART #: 0306174P0916A

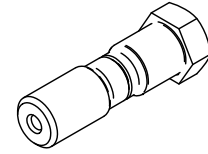


**LINER**  
PART #: 0306174P0818B

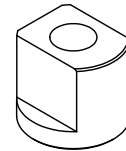


**LINER**  
PART #: 0306174P0820B

**MISC.**

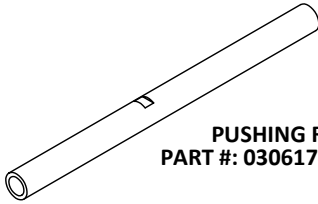


**SAFETY BREAKER BOLT**  
PART #: 0306174P017B

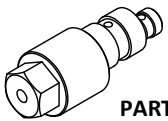


**PUNCH HOLDER GUIDE BLOCK**  
PART #: 0306174P1538B

**FIGURE 9**



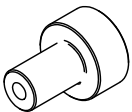
**PUSHING ROD**  
PART #: 0306174P0915A



**ECCENTRIC PIN**  
PART #: 0306174P1113A



**LOCK PIN**  
PART #: 0306174P1159A

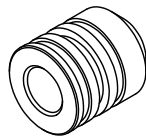


**PIN**  
PART #: 0306174P1158D

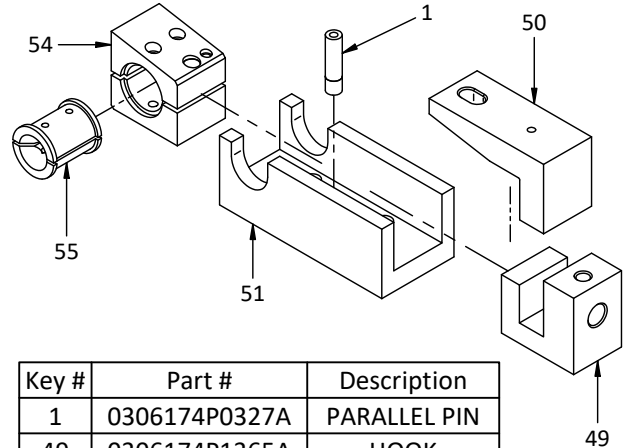
**LEVER**  
PART #: 0306174P1164B



**PISTON**  
PART #: 0306174P1122A



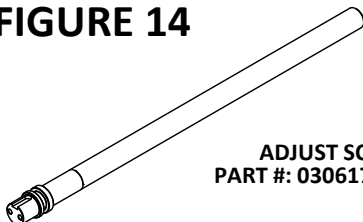
**FIGURE 13**



Key #	Part #	Description
1	0306174P0327A	PARALLEL PIN
49	0306174P1365A	HOOK
50	0306174P1366A	WEDGE
51	0306174P1367A	BLOCK
54	0306174P1370A	BLOCK
55	0306174P137A	GRIP

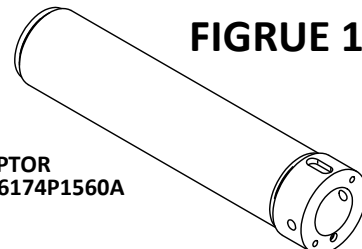
\*SPECIFY WIRE DIAMETER FOR KEY # 55

**FIGURE 14**



**ADJUST SCREW**  
PART #: 0306174P1477B

**FIGURE 15-2**

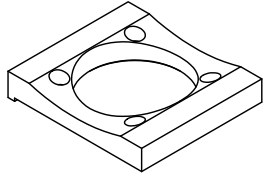


**ADAPTOR**  
PART #: 0306174P1560A



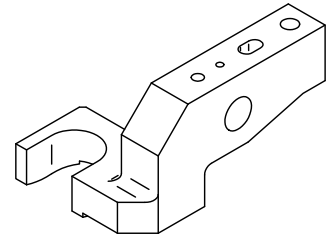
# AQ 1215-4

## FIGURE 65



SPACE  
PART #: 0306174P6546B

TRIMMING HEAD  
PART #: 0306174P6541A

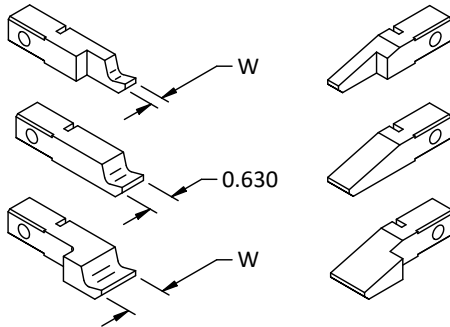
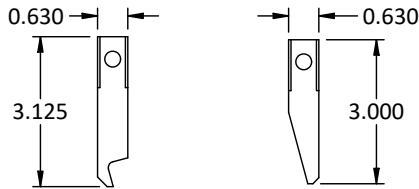


# AQ 12 & 16

## TRANSFER FINGERS

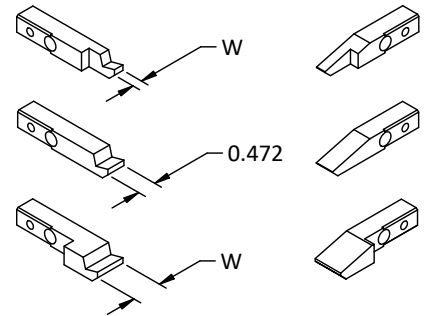
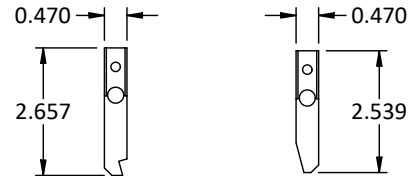
LEFT FINGER      RIGHT FINGER

Part #: 3-2016L      Part #: 3-2016R



LEFT FINGER      RIGHT FINGER

Part #: 3-1215L      Part #: 3-1215R



STYLE 1 (SLOTS) AQ-1215, 1620, & 1625	
DETAIL	Wire Range
A	0.686 - 0.708
B	0.655 - 0.685
C	0.624 - 0.654
D	0.593 - 0.623
E	0.562 - 0.592
F	0.531 - 0.561
G	0.500 - 0.530
H	0.469 - 0.499
I	0.438 - 0.468
J	0.407 - 0.437
K	0.376 - 0.406
L	0.345 - 0.375
M	0.314 - 0.344

SPECIFY  
- Part #  
- W

Example Part:  
**3-2016L 0312 - A**

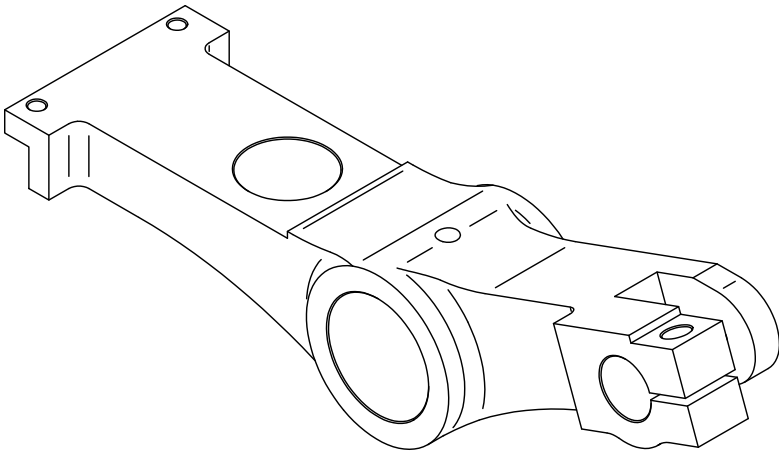
Part #      Detail

W - Width of Nose  
In Inches

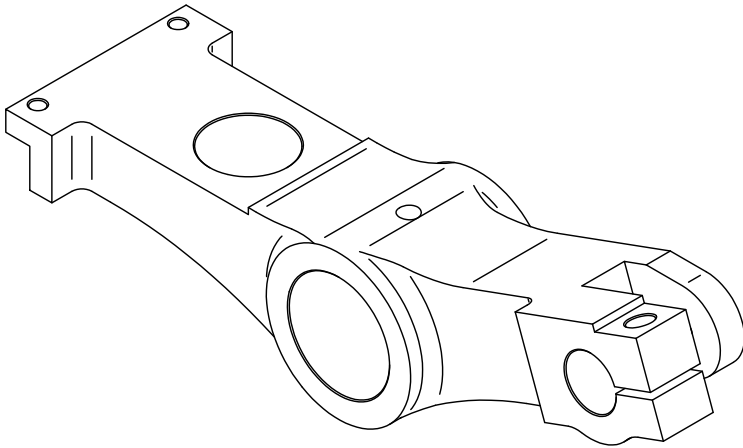
STYLE 2 (HOLES) AQ-1215	
Detail	Wire Range
A	0.531 / 0.551
B	0.500 / 0.530
C	0.473 / 0.499
D	0.438 / 0.472
E	0.407 / 0.437
F	0.376 / 0.406
G	0.344 / 0.375
H	0.313 / 0.343
I	0.282 / 0.312
J	0.251 / 0.281
K	0.219 / 0.250
L	0.188 / 0.218

# AQ-1620

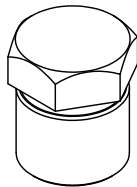
**FIGURE 11-1**



**CAM LEVER A**  
**PART #: 0306180P1105A**



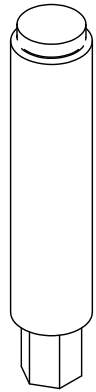
**CAM LEVER B**  
**PART #: 0306180P1104A**



**GUIDE**  
**PART #: 0306180P1114A**

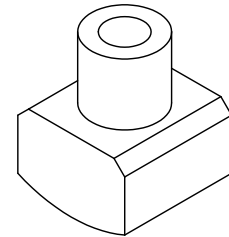
**FIGURE 14-1**

**BOLT**  
**PART #: 0306180P1401A**

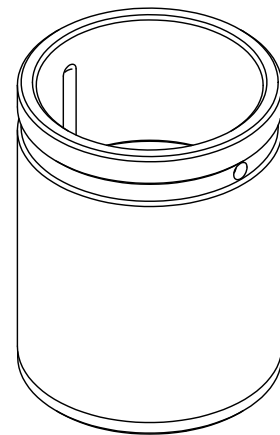


**FIGURE 60**

**TONGUE**  
**PART #: 0306180P009A**

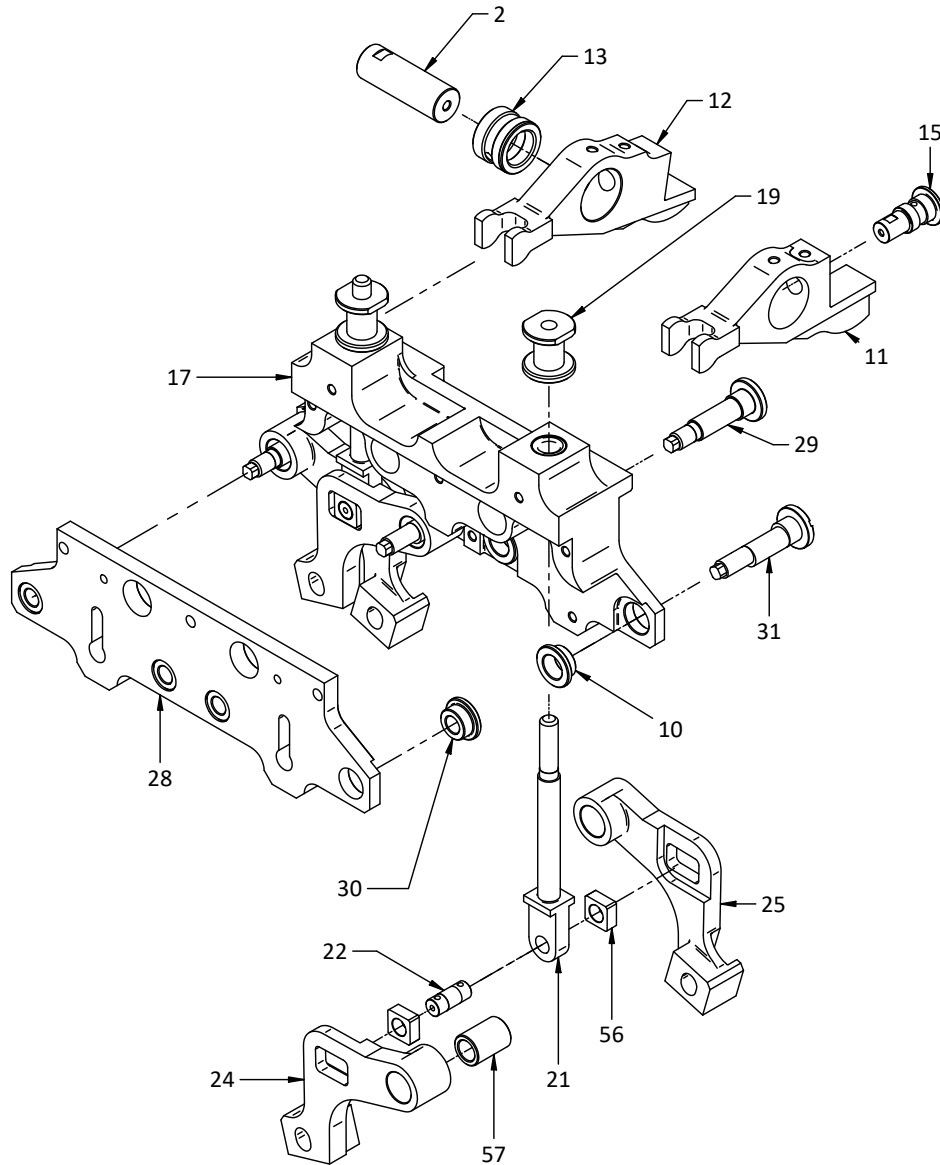


**PKO ARM BUSHING**  
**PART #: 0306180P6006A**



# AQ 16

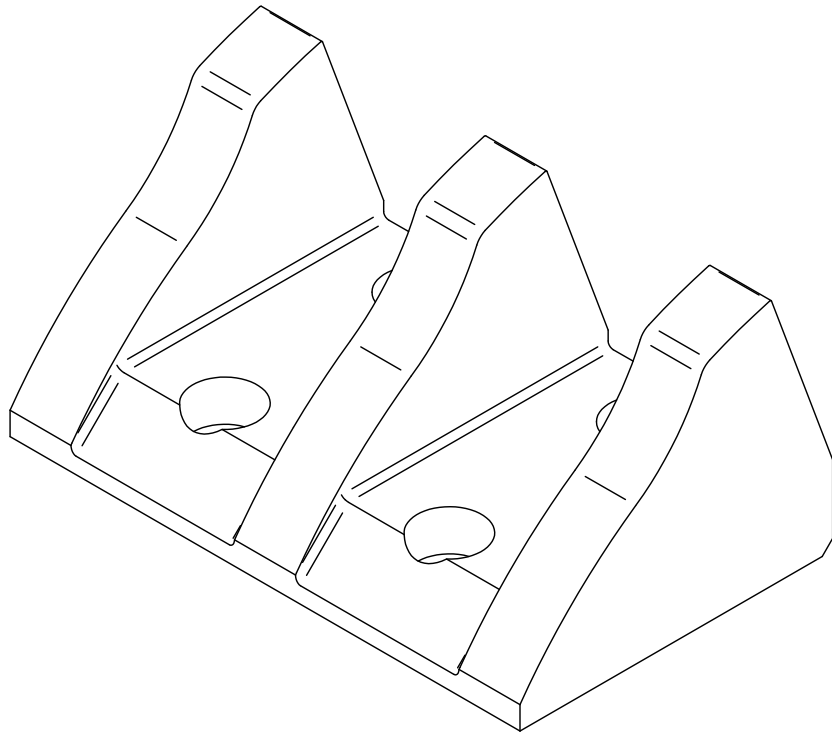
**FIGURE 11-2**



Key #	Part #	Description	Key #	Part #	Description
2	0306180P1127A	PIN	22	0306180P1140B	PIN
10	0306180P1117B	BACK PLATE BUSHING	24	3-2016AL	LEFT FINGER ARM
11	0306180P1124A	LEVER	25	3-2016AR	RIGHT FINGER ARM
12	0306180P1123A	LEVER	28	0306180P1134A	PLATE
13	0306180P1130B	BUSHING	29	0306180P1131B	PIN
15	0306180P1129B	PIN	30	0306180P1116B	FRONT PLATE BUSHING
17	0306180P1106B	TRANSFER HEAD	31	0306180P1132A	PIN
19	0306180P1139A	RING	56	0306180P1177B	GUIDE BLOCK
21	0306180P1138B	GUIDE ROD	57	0306180P1145B	BUSHING

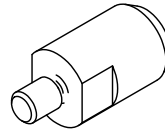
# AQ 16

PKO CAM - 38mm STROKE  
PART #: 0306180P6050B



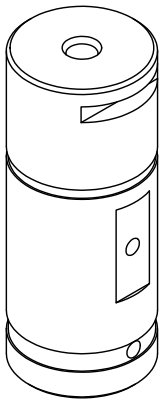
## FIGURE 12

CYLINDER BLOCK  
PART #: 0306180P1182A



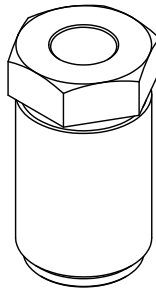
## FIGURE 15-2

ROLLER FOLLOWER PIN  
PART #: 0306180P6017B



## FIGURE 60

ADJUSTING BOLT  
PART #: 0306180P010A



LOCK NUT  
PART #: 0306180P1537A

